

Kress



60V cordless hedge trimmer	EN	P02
Akku-Heckenschere 60 V	DE	P13
Taille-haie sans fil 60 V	F	P25
Tagliasiepi a batteria 60V	IT	P36
Recortadora de setos sin cable 60V	ES	P48
60 V snoerloze heggenschaar	NL	P60
Batteridrevet 60 V hækkklipper	DK	P71
Аккумуляторная машинка для подстригания живой изгороди на 60 В	RU	P81
60 V sladdlös häcktrimmer	SV	P92
KG262 KG262.X		

TABLE OF CONTENTS

Introduction.....	2
Component List.....	3
Product Safety.....	4
Assembly & Operation.....	7
Transportation.....	9
Maintenance.....	9
Cleaning.....	10
Storage.....	10
Technical Data.....	11
Environmental Protection.....	12
EN Declaration of Conformity.....	12

INTRODUCTION

Dear Customer,

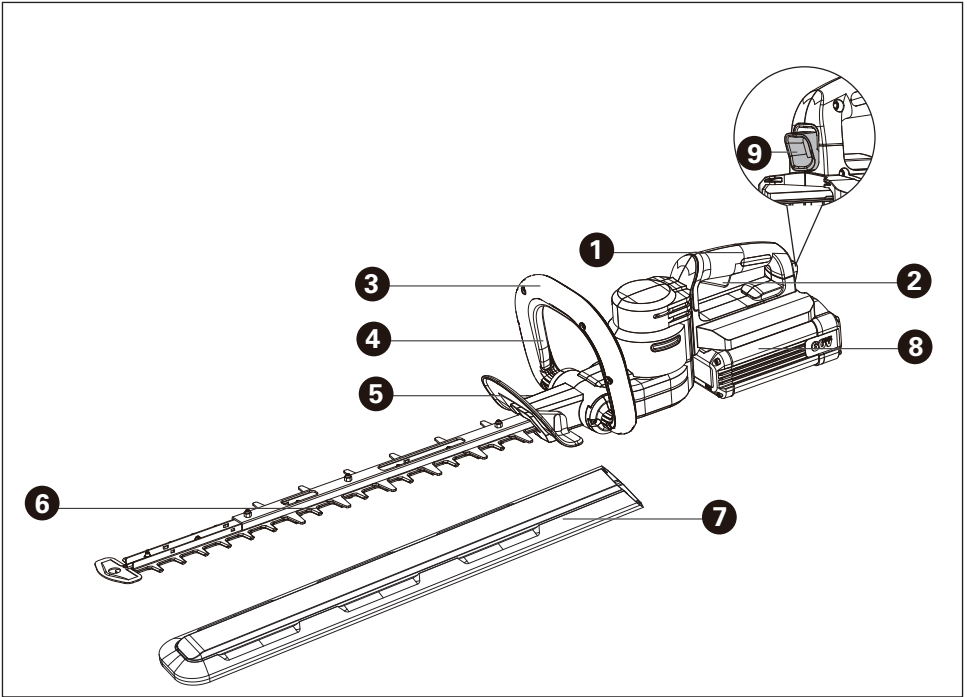
Thank you for buying this Kress product. We are dedicated to developing high quality products to meet your landscaping requirements.

The Kress brand is synonymous with premium quality service. Over the years of your product's life, if you have any questions or concerns about your product, please contact your location of purchase or our Customer Service Team for assistance.

We are confident you will enjoy working with your Kress product for years to come.

INTENDED USE

The machine is intended for cutting and trimming hedges and bushes in residential or light commercial use.



COMPONENT LIST

- | | |
|----|---|
| 1. | REAR HANDLE |
| 2. | THROTTLE TRIGGER |
| 3. | FRONT HANDLE |
| 4. | OPERATOR PRESENCE SWITCH (ALL AROUND SWITCH FUNCTION) |
| 5. | SAFETY GUARD |
| 6. | BLADE |
| 7. | BLADE SHEATH |
| 8. | BATTERY PACK * |
| 9. | BATTERY-RELEASE BUTTON |

* Not all the accessories illustrated or described are included in standard delivery.

ORIGINAL INSTRUCTIONS

PRODUCT SAFETY

GENERAL POWER TOOL

SAFETY WARNINGS



WARNING Read all safety warnings, instructions, illustrations and specifications provided with this power tool. *Failure to follow all instructions listed below may result in electric shock, fire and/or serious injury.*

Save all warnings and instructions for future reference.

The term "power tool" in the warnings refers to your mains-operated (corded) power tool or battery-operated (cordless) power tool.

1) Work area safety

- a) **Keep work area clean and well lit.** *Cluttered or dark areas invite accidents.*
- b) **Do not operate power tools in explosive atmospheres, such as in the presence of flammable liquids, gases or dust.** *Power tools create sparks which may ignite the dust or fumes.*
- c) **Keep children and bystanders away while operating a power tool.** *Distractions can cause you to lose control.*

2) Electrical safety

- a) **Power tool plugs must match the outlet. Never modify the plug in any way. Do not use any adapter plugs with earthed (grounded) power tools.** *Unmodified plugs and matching outlets will reduce risk of electric shock.*
- b) **Avoid body contact with earthed or grounded surfaces, such as pipes, radiators, ranges and refrigerators.** *There is an increased risk of electric shock if your body is earthed or grounded.*
- c) **Do not expose power tools to rain or wet conditions.** *Water entering a power tool will increase the risk of electric shock.*
- d) **Do not abuse the cord. Never use the cord for carrying, pulling or unplugging the power tool. Keep cord away from heat, oil, sharp edges or moving parts.** *Damaged or entangled cords increase the risk of electric shock.*
- e) **When operating a power tool outdoors, use an extension cord suitable for outdoor use.** *Use of a cord suitable for outdoor use reduces the risk of electric shock.*
- f) **If operating a power tool in a damp location is unavoidable, use a residual current device (RCD) protected supply.** *Use of an RCD reduces the risk of electric shock.*

3) Personal safety

- a) **Stay alert, watch what you are doing and use common sense when operating a power tool. Do not use a power tool while you are tired or under the influence of drugs, alcohol**

or medication. *A moment of inattention while operating power tools may result in serious personal injury.*

- b) **Use personal protective equipment. Always wear eye protection.** *Protective equipment such as dust mask, non-skid safety shoes, hard hat, or hearing protection used for appropriate conditions will reduce personal injuries.*
 - c) **Prevent unintentional starting. Ensure the switch is in the off-position before connecting to power source and/or battery pack, picking up or carrying the tool.** *Carrying power tools with your finger on the switch or energising power tools that have the switch on invites accidents.*
 - d) **Remove any adjusting key or wrench before turning the power tool on.** *A wrench or a key left attached to a rotating part of the power tool may result in personal injury.*
 - e) **Do not overreach. Keep proper footing and balance at all times.** *This enables better control of the power tool in unexpected situations.*
 - f) **Dress properly. Do not wear loose clothing or jewellery. Keep your hair and clothing away from moving parts.** *Loose clothes, jewellery or long hair can be caught in moving parts.*
 - g) **If devices are provided for the connection of dust extraction and collection facilities, ensure these are connected and properly used.** *Use of dust collection can reduce dust-related hazards.*
 - h) **Do not let familiarity gained from frequent use of tools allow you to become complacent and ignore tool safety principles.** *A careless action can cause severe injury within a fraction of a second.*
- #### 4) Power tool use and care
- a) **Do not force the power tool. Use the correct power tool for your application.** *The correct power tool will do the job better and safer at the rate for which it was designed.*
 - b) **Do not use the power tool if the switch does not turn it on and off.** *Any power tool that cannot be controlled with the switch is dangerous and must be repaired.*
 - c) **Disconnect the plug from the power source and/or remove the battery pack, if detachable, from the power tool before making any adjustments, changing accessories, or storing power tools.** *Such preventive safety measures reduce the risk of starting the power tool accidentally.*
 - d) **Store idle power tools out of the reach of children and do not allow persons unfamiliar with the power tool or these instructions to operate the power tool.** *Power tools are dangerous in the hands of untrained users.*
 - e) **Maintain power tools and accessories. Check for misalignment or binding of moving parts, breakage of parts and any other condition that may affect the power tool's operation. If damaged, have the power tool repaired before use.** *Many accidents are caused by poorly maintained power tools.*
 - f) **Keep cutting tools sharp and clean.** *Properly*

maintained cutting tools with sharp cutting edges are less likely to bind and are easier to control.

- g) Use the power tool, accessories and tool bits etc. in accordance with these instructions, taking into account the working conditions and the work to be performed.** *Use of the power tool for operations different from those intended could result in a hazardous situation.*
 - h) Keep handles and grasping surfaces dry, clean and free from oil and grease.** *Slippery handles and grasping surfaces do not allow for safe handling and control of the tool in unexpected situations.*
- 5) Battery tool use and care**
- a) Recharge only with the charger specified by the manufacturer.** *A charger that is suitable for one type of battery pack may create a risk of fire when used with another battery pack.*
 - b) Use power tools only with specifically designated battery packs.** *Use of any other battery packs may create a risk of injury and fire.*
 - c) When battery pack is not in use, keep it away from other metal objects, like paper clips, coins, keys, nails, screws or other small metal objects, that can make a connection from one terminal to another.** *Shorting the battery terminals together may cause burns or a fire.*
 - d) Under abusive conditions, liquid may be ejected from the battery; avoid contact. If contact accidentally occurs, flush with water. If liquid contacts eyes, additionally seek medical help.** *Liquid ejected from the battery may cause irritation or burns.*
 - e) Do not use a battery pack or tool that is damaged or modified.** *Damaged or modified batteries may exhibit unpredictable behaviour resulting in fire, explosion or risk of injury.*
 - f) Do not expose a battery pack or tool to fire or excessive temperature.** *Exposure to fire or temperature above 130 °C may cause explosion.*
 - g) Follow all charging instructions and do not charge the battery pack or tool outside the temperature range specified in the instructions.** *Charging improperly or at temperatures outside the specified range may damage the battery and increase the risk of fire.*
- 6) Service**
- a) Have your power tool serviced by a qualified repair person using only identical replacement parts.** *This will ensure that the safety of the power tool is maintained.*
 - b) Never service damaged battery packs.** *Service of battery packs should only be performed by the manufacturer or authorized service providers.*

HEDGE TRIMMER SAFETY WARNINGS

- a) Keep all parts of the body away from the blade. Do not remove cut material or hold**

material to be cut when blades are moving.

Blades continue to move after the switch is turned off. A moment of inattention while operating the hedge trimmer may result in serious personal injury.











- b) Carry the hedge trimmer by the handle with the blade stopped and taking care not to operate any power switch.** *Proper carrying of the hedge trimmer will decrease the risk of inadvertent starting and resultant personal injury from the blades.*
- c) When transporting or storing the hedge trimmer, always fit the blade cover.** *Proper handling of the hedge trimmer will decrease the risk of personal injury from the blades.*
- d) When clearing jammed material or servicing the unit, make sure all power switches are off and the battery back is removed or disconnected.** *Unexpected actuation of the hedge trimmer while clearing jammed material or servicing may result in serious personal injury.*
- e) Hold the hedge trimmer by insulated gripping surfaces only, because the blade may contact hidden wiring.** *Blades contacting a "live" wire may make exposed metal parts of the hedge trimmer "live" and could give the operator an electric shock.*
- f) Keep all power cords and cables away from cutting area.** *Power cords or cables may be hidden in hedges or bushes and can be accidentally cut by the blade.*
- g) Do not use the hedge trimmer in bad weather conditions, especially when there is a risk of lightning.** *This decreases the risk of being struck by lightning.*
- h) Check the hedges and bushes for foreign objects, e.g. wire fences and hidden wiring.**
- i) Hold the hedge trimmer properly, e.g. with both hands if two handles are provided.**
- j) The hedge trimmer is intended to be used by the operator at ground level and not on ladders or any other unstable support.**
- k) Before operating the hedge trimmer, the user should make sure the locking device(s) of any moving elements (e.g. the extended shaft and pivoting element), if any, are in the locked position.**

SAFETY WARNINGS FOR BATTERY PACK



- a) Do not dismantle, open or shred cells or battery pack.**
- b) Do not short-circuit a battery pack. Do not store battery packs haphazardly in a box or drawer where they may short-circuit each other or be short-circuited by conductive materials.** *When battery pack is not in use, keep it away from other metal objects, like paper clips, coins, keys, nails, screws or other small metal objects, that can make a connection from one terminal to another. Shorting the*

battery terminals together may cause burns or a fire.

- c) **Do not expose battery pack to heat or fire. Avoid storage in direct sunlight.**
- d) **Do not subject battery pack to mechanical shock.**
- e) **In the event of battery leaking, do not allow the liquid to come into contact with the skin or eyes. If contact has been made, wash the affected area with copious amounts of water and seek medical advice.**
- f) **Keep battery pack clean and dry.**
- g) **Wipe the battery pack terminals with a clean dry cloth if they become dirty.**
- h) **Battery pack needs to be charged before use. Always refer to this instruction and use the correct charging procedure.**
- i) **Do not maintain battery pack on charge when not in use.**
- j) **After extended periods of storage, it may be necessary to charge and discharge the battery pack several times to obtain maximum performance.**
- k) **Recharge only with the charger specified by Kress. Do not use any charger other than that specifically provided for use with the equipment.**
- l) **Do not use any battery pack which is not designed for use with the equipment.**
- m) **Keep battery pack out of the reach of children.**
- n) **Retain the original product literature for future reference.**
- o) **Remove the battery from the equipment when not in use.**
- p) **Dispose of properly.**
- q) **Do not mix cells of different manufacture, capacity, size or type within a device.**
- r) **Keep the battery away from microwaves and high pressure.**

	Wear dust mask
	Do not expose to rain
	Batteries may enter water cycle if disposed improperly, which can be hazardous for ecosystem. Do not dispose of waste batteries as unsorted municipal waste.
	Do not burn
	Wear protective gloves
	Keep hands away from blade
	Remove battery from the socket before carrying out any adjustment, servicing or maintenance.
 Li-Ion 	Li-Ion battery This product has been marked with a symbol relating to 'separate collection' for all battery packs and battery pack. It will then be recycled or dismantled in order to reduce the impact on the environment. Battery packs can be hazardous for the environment and for human health since they contain hazardous substances.
	Waste electrical products must not be disposed of with household waste. Please recycle where facilities exist. Check with your local authorities or retailer for recycling advice.

SYMBOLS

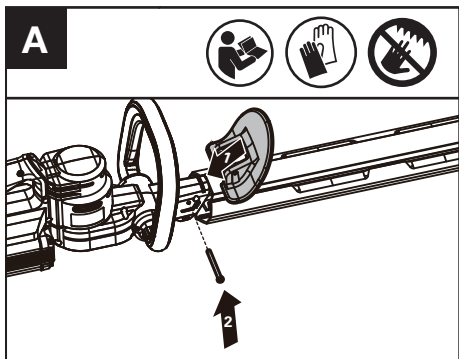
	To reduce the risk of injury, user must read instruction manual
	Warning
	Wear ear protection
	Wear eye protection

ASSEMBLY & OPERATION

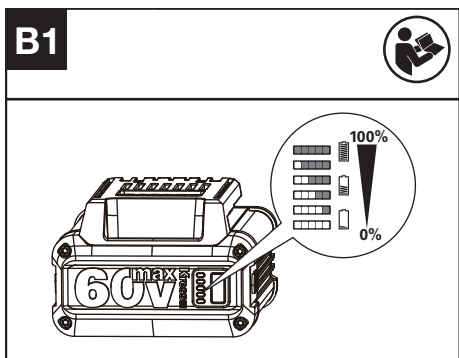
NOTE: Before using the tool, read the instruction book carefully.

Assembling the safety guard (See Fig. A)

Secure the safety guard onto the hedge trimmer with the screw.



Checking the battery charge condition (See Fig. B1)



NOTE: Fig. B1 only applies for the battery pack with battery indicator light.

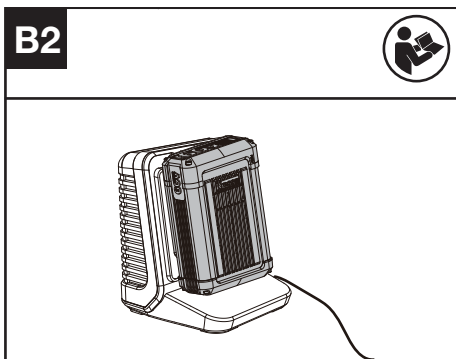
The battery level can be known from the battery indicator light by pressing the button beside the lights. Before starting or after use, press the button beside the power indicator light on the battery pack to check the battery capacity

Remarks	LED-light	Battery condition
Five green lights are illuminated.		$70\% \leq$ Power level

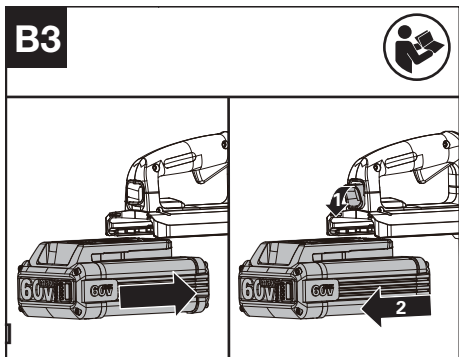
Four green lights are illuminated.		$50\% \leq$ Power level < 70%
Three green lights are illuminated.		$35\% \leq$ Power level < 50%
Two green lights are illuminated.		$20\% \leq$ Power level < 35%
One green light are illuminated.		$10\% \leq$ Power level < 20%
No light is illuminated.		Power level < 10%

Charging the battery pack (See Fig. B2)

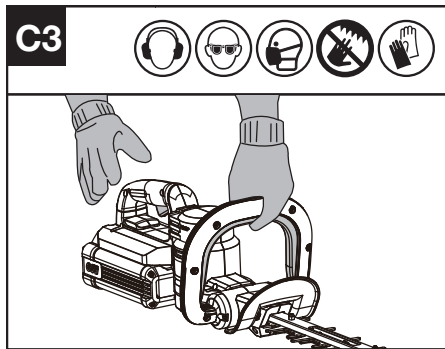
- Your battery pack is partly charged and needs to be fully charged before first use.
- More details can be found in charger's manual.



Installing & removing the battery pack. (See Fig. B3)



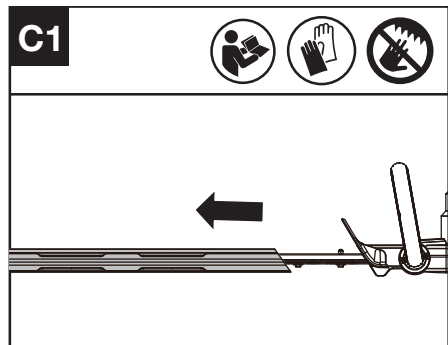
Release the throttle trigger and operator presence switch to stop. (See Fig. C3)



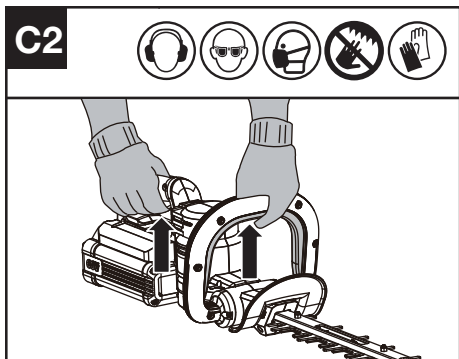
OPERATION

Starting and Stopping

Before usage, remove the blade sheath first. (See Fig. C1)



Press the operator presence switch and throttle trigger to start. (See Fig. C2)



When the equipment is not in use, turn the hedge trimmer off and remove the battery.

How to Use your Hedge trimmer

Before cutting an area, inspect it first and remove any foreign objects that could become thrown or entangled in the blades. Always hold the trimmer with both hands and with the blade away from you before turning it on.

When trimming new growth, use a wide sweeping action so that the stems are fed directly into the blade.

Allow the cutting blades to reach full speed before cutting. When operating, keep the cutting blades away from people and objects such as walls, large stones, trees, vehicles, etc.

If the blade stalls, immediately stop the trimmer. Release the throttle trigger and operator presence switch before attempting to clear jammed debris from the cutting blades.

Wear gloves when trimming thorny or prickly growth.

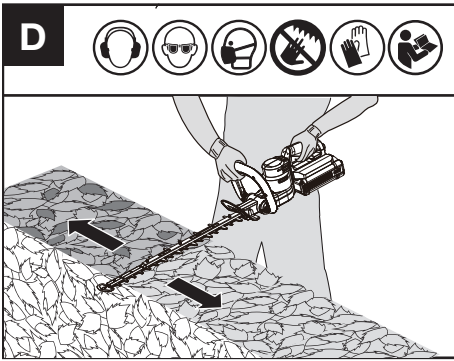
Do not attempt to cut stems that are too thick for the cutting blade.

Top cutting (See Fig. D)

Use a wide sweeping motion. A slight downward tilt of the cutting blades in the direction of motion gives the best cutting results.

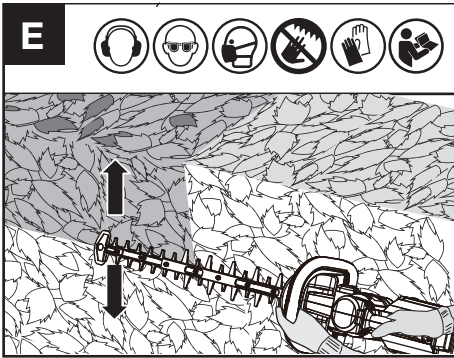
⚠ WARNING: If any parts are missing, damaged or broken, do not operate your hedge trimmer until all damaged parts have been replaced or repaired. Failure to do so could result in serious personal injury. **DO NOT USE WITHOUT FRONT HANDLE AND SAFETY GUARD.**

EN



Side cutting (See Fig. E)

When trimming the sides of the hedge, begin at the bottom and cut upwards, tapering the hedge inward at the top. This shape will expose more of the hedge, resulting in a more uniformed growth.



FOR BATTERY TOOLS

The ambient temperature range for tool and battery use and storage is 0 °C-45 °C (32 °F-113 °F).

The recommended ambient temperature range for the charging system during charging is 0 °C-40 °C (32 °F-104 °F).

TRANSPORTATION

Transporting the trimmer

1. Switch off the trimmer and remove the battery.
2. When transporting your trimmer by hand, hold the middle of shaft to make sure that your machine is parallel to the ground.
3. When transporting your trimmer in a vehicle, secure and position it to prevent movement or damage.

Transporting the battery

1. Ensure the battery is in a safe condition.
2. Use non-conductive packaging when

transporting the battery.

3. The contained Li-Ion batteries are subject to the dangerous goods legislation requirements. Transport batteries only when the battery housing is undamaged. Pack up the batteries in such a manner that cannot move around in the packaging.

MAINTENANCE

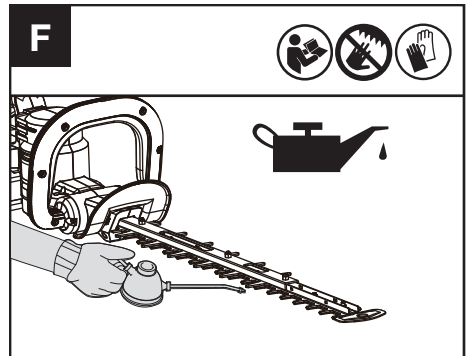
Remove the battery from hedge trimmer before carrying out any adjustment, servicing or maintenance.

There are no user serviceable parts in your power tool. Never use water or chemical cleaners to clean your power tool. Wipe clean with a dry cloth. Always store your power tool in a dry place. Keep the motor ventilation slots clean. Keep all working controls free of dust.

Lubricating

Lubricating the Cutting Blade (See Fig. F)

NOTE: It is important to use only the recommended standard lubricating oil (WD-40) to avoid damage to the blade.



Sharpening

WARNING: Do not operate your machine with dull or damaged cutting blades, which will cause overload and unsatisfactory performance. When cutting performance begins to deteriorate, please have the blade resharpened by a professional. Always wear protective gloves when handling the trimmer blade and only sharpen the cutting edge.

Only sharpen the cutting edge. Do not grind blunt projecting parts of the cutting blade or its guard. Use a whetstone to remove burr from cutting edge. After sharpening, clean away the dust from the blade in a safe manner.

CLEANING

1. Switch off the trimmer and remove the battery.
2. Do not use aggressive detergents or solvents.
Clean the machine after use with a damp cloth dipped in mild detergent.
3. Keep battery connection free of dirt and debris, and clean with a soft and dry brush or cloth.
4. Do not spray water onto the motor and electrical components.
5. Do not use pressure washer to clean your machine.

STORAGE




WARNING: Remove the battery pack. Wear protective gloves when carrying out any adjustment, servicing or maintenance. Do not place your hand or fingers between blades and avoid getting pinched or cut.

1. Always place the blade sheath on the blade before storing the hedge trimmer. Do not touch the sharp teeth of the blade.
2. Keep away from corrosive agents.
3. Clean the cutting blades after usage.
4. Store the machine in a dry place, where is out of the reach of children and other unauthorized people.

TECHNICAL DATA

Type **KG262 KG262.X (250-299- designation of machinery, representative of cordless hedge trimmer)**

	KG262 KG262.X **
Voltage	60 V  Max ***
No-load speed	3400 /min
Blade length	64 cm (25")
Cutting length	61 cm (24")
Tooth spacing	34 mm (1.3")
Max cutting diameter	27 mm (1")
Machine weight (bare tool)	3.03 kg (6.68 lbs)

* X=1-999, A-Z, M1-M9 there are only used for different customers, there are no safe relevant changes between these models

** Voltage measured without workload. Initial battery voltage reaches maximum of 60 volts. Nominal voltage is 54 volts.

SUGGESTED BATTERIES AND CHARGERS

Battery	Amp	Charger	Amperage
KA3001	2.5 Ah	KA3713	3.0 A

We recommend that you purchase your accessories from the same store that sold you the tool. Refer to the accessory packaging for further details. Store personnel can assist you and offer advice.

EN

NOISE INFORMATION

A weighted sound pressure

L_{pA} : 85.12 dB(A)
 K_{pA} = 3 dB(A)

A weighted sound power

L_{WA} : 96.12 dB(A)
 K_{WA} = 3 dB(A)

Wear ear protection





VIBRATION INFORMATION

Vibration total values (triax vector sum)
determined according to EN 62841:

Vibration emission value: $a_n = 2.16 \text{ m/s}^2$

Uncertainty $K = 1.5 \text{ m/s}^2$

 The declared vibration total value and the declared noise emission value have been measured in accordance with a standard test method and may be used for comparing one tool with another. The declared vibration total value and the declared noise emission value may also be used in a preliminary assessment of exposure.


 **WARNING:** The vibration and noise emissions during actual use of the power tool can differ from the declared value depending on the ways in which the tool is used especially what kind of workpiece is processed dependant on the following examples and other variations on how the tool is used:

How the tool is used and the materials being cut or drilled.

The tool being in good condition and well maintained.

The use of the correct accessory for the tool and ensuring it is sharp and in good condition. The tightness of the grip on the handles and if any anti vibration and noise accessories are used. And the tool is being used as intended by its design and these instructions.

This tool may cause hand-arm vibration syndrome if its use is not adequately managed.


 **WARNING:** To be accurate, an estimation of exposure level in the actual conditions of use should also take account of all parts of the operating cycle such as the times when the tool is switched off and when it is running idle but not actually doing the job. This may significantly reduce the exposure level over the total working period. Helping to minimise your vibration and noise exposure risk.

Always use sharp chisels, drills and blades. Maintain this tool in accordance with these instructions and keep well lubricated (where appropriate).

If the tool is to be used regularly then invest in anti vibration and noise accessories.

Plan your work schedule to spread any high vibration tool use across a number of days.

ENVIRONMENTAL PROTECTION

 Waste electrical products must not be disposed of with household waste. Please recycle where facilities exist. Check with your local authorities or retailer for recycling advice.

DECLARATION OF CONFORMITY

We,
Positec Germany GmbH
Postfach 32 02 16, 50796 Cologne, Germany

On behalf of Positec declare that the product
Description **Cordless Hedge Trimmer**
Type **KG262 KG262.X (250-299- designation of machinery, representative of cordless hedge trimmer)**
Function **Trimming hedges and brushes**

Complies with the following directives,
2006/42/EC
2014/30/EU
2011/65/EU&(EU)2015/863
2000/14/EC amended by 2005/88/EC

2000/14/EC amended by 2005/88/EC:
- Conformity assessment procedure as per **Annex V**
- Measured sound power level **96.12 dB (A)**
- Declared guaranteed sound power level **97 dB(A)**

Standards conform to,
EN 62841-1
EN 62841-4-2
EN ISO 3744
EN IEC 55014-1
EN IEC 55014-2
EN IEC 63000

The person authorized to compile the technical file,
Name **Marcel Filz**
Address **Positec Germany GmbH**
Postfach 32 02 16, 50796 Cologne, Germany



2023/09/06
Allen Ding
Deputy Chief Engineer, Testing & Certification
Positec Technology (China) Co., Ltd
18, Dongwang Road, Suzhou Industrial
Park, Jiangsu 215123, P. R. China

INHALTSVERZEICHNIS

Einführung.....	13
Komponenten.....	14
Produktsicherheit.....	15
Montage Und Bedienung.....	19
Transport	21
Wartung.....	21
Reinigung.....	22
Aufbewahrung.....	22
Technische Daten	23
Umweltschutz.....	24
Konformitätserklärung.....	24

DE

EINFÜHRUNG

Sehr geehrter Kunde,

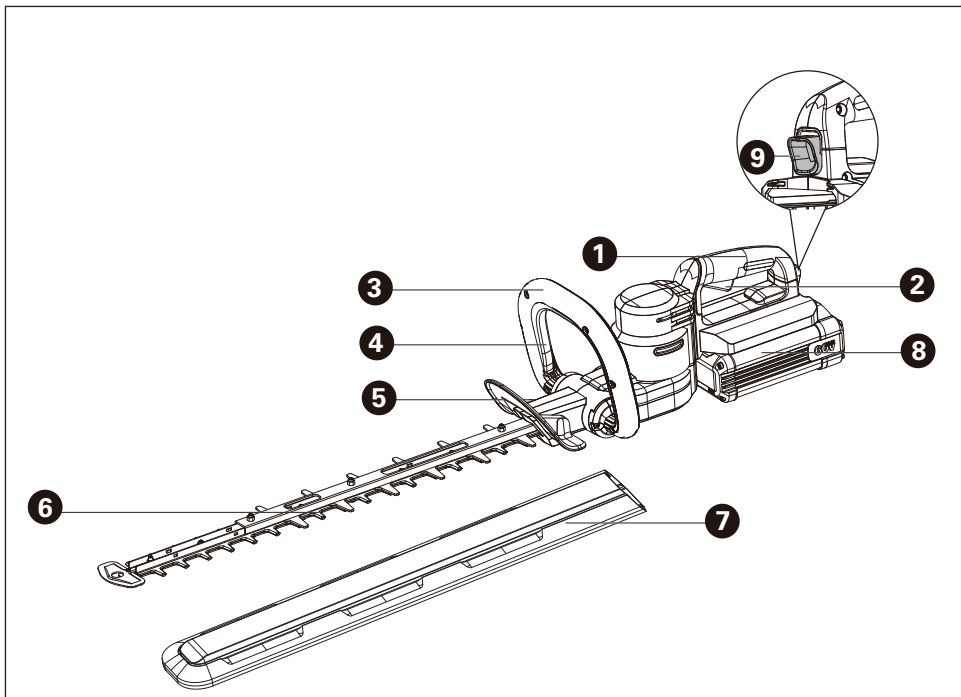
Vielen Dank, dass Sie dieses Kress-Produkt gekauft haben. Wir sind bestrebt, qualitativ hochwertige Produkte zu entwickeln, die Ihren Anforderungen bei der Gartengestaltung entsprechen.

Die Marke Kress steht für erstklassigen Service. Wenn Sie im Laufe der Jahre Fragen oder Bedenken zu Ihrem Produkt haben, wenden Sie sich bitte an Ihren Einkaufsstandort oder an unseren Kundenservice.

Wir sind zuversichtlich, dass Sie in den kommenden Jahren die Arbeit mit Ihrem Kress-Produkt genießen werden.

BESTIMMUNGSGEMÄSSER GEBRAUCH

Das Gerät ist zum Schneiden und Trimmen von Hecken und Sträuchern im Hausgebrauch oder für kleinere Arbeiten im gewerblichen Bereich bestimmt.



DE

KOMPONENTEN

- | | |
|----|---|
| 1. | HINTERER GRIFF |
| 2. | ABZUG |
| 3. | HANDGRIFF VORNE |
| 4. | BEDIENER-ANWESENHEITSSCHALTER (ALLSEITIG) |
| 5. | HANDSCHUTZ |
| 6. | MESSER |
| 7. | MESSERSCHUTZHÜLLE |
| 8. | AKKU * |
| 9. | AKKU-ENTRIEGELUNGSTASTE |

* Abgebildetes oder beschriebenes Zubehör gehört teilweise nicht zum Lieferumfang.

ORIGINALBETRIEBSANLEITUNG PRODUKTSICHERHEIT ALLGEMEINE SICHERHEITSHINWEISE FÜR ELEKTROWERKZEUGE



WARNUNG! Machen Sie sich mit allen Sicherheitswarnungen, Anweisungen, Abbildungen und Spezifikationen vertraut, die mit diesem Elektrowerkzeug geliefert werden. Die Nichtbeachtung der unten aufgeführten Anweisungen kann in elektrischen Schlägen, Feuer und/oder schweren Verletzungen resultieren.

Bewahren Sie alle Sicherheitshinweise und Anweisungen für die Zukunft auf.

Der in den Sicherheitshinweisen verwendete Begriff „Elektrowerkzeug“ bezieht sich auf akkubetriebene Elektrowerkzeuge (ohne Netzkabel).

1) Arbeitsplatzsicherheit

- a) Halten Sie Ihren Arbeitsbereich sauber und gut beleuchtet. Unordnung oder unbeleuchtete Arbeitsbereiche können zu Unfällen führen.
- b) Arbeiten Sie mit dem Elektrowerkzeug nicht in explosionsgefährdeter Umgebung, in der sich brennbare Flüssigkeiten, Gase oder Stäube befinden. Elektrowerkzeuge erzeugen Funken, die den Staub oder die Dämpfe entzünden können.
- c) Halten Sie Kinder und andere Personen während der Benutzung des Elektrowerkzeugs fern. Bei Ablenkung können Sie die Kontrolle über das Gerät verlieren.

2) Elektrische Sicherheit

- a) Der Anschlussstecker des Elektrowerkzeuges muss in die Steckdose passen. Der Stecker darf in keiner Weise verändert werden. Verwenden Sie keine Adapterstecker gemeinsam mit schutzgeerdeten Elektrowerkzeugen. Unveränderte Stecker und passende Steckdosen verringern das Risiko eines elektrischen Schlages.
- b) Vermeiden Sie Körperkontakt mit geerdeten Oberflächen wie von Rohren, Heizungen, Herden und Kühlschränken. Es besteht ein erhöhtes Risiko durch elektrischen Schlag, wenn Ihr Körper geerdet ist.
- c) Halten Sie Elektrowerkzeuge von Regen oder Nässe fern. Das Eindringen von Wasser in ein Elektrowerkzeug erhöht das Risiko eines elektrischen Schlages.
- d) Zweckentfremden Sie das Kabel nicht, um das Elektrowerkzeug zu tragen, aufzuhängen oder um den Stecker aus der Steckdose zu ziehen. Halten Sie das Kabel fern von Hitze,

Öl, scharfen Kanten oder sich bewegenden Geräteteilen. Beschädigte oder verwickelte Kabel erhöhen das Risiko eines elektrischen Schlages.

- e) Wenn Sie mit einem Elektrowerkzeug im Freien arbeiten, verwenden Sie nur Verlängerungskabel, die auch für den Außenbereich geeignet sind. Die Anwendung eines für den Außenbereich geeigneten Verlängerungskabels verringert das Risiko eines elektrischen Schlages.
- f) Wenn der Betrieb des Elektrowerkzeuges in feuchter Umgebung nicht vermeidbar ist, verwenden Sie einen Fehlerstromschutzschalter. Der Einsatz eines Fehlerstromschutzschalters vermindert das Risiko eines elektrischen Schlages.
- 3) Sicherheit von Personen
- a) Seien Sie aufmerksam, achten Sie darauf, was Sie tun, und gehen Sie mit Vernunft an die Arbeit mit einem Elektrowerkzeug. Benutzen Sie kein Elektrowerkzeug, wenn Sie müde sind oder unter dem Einfluss von Drogen, Alkohol oder Medikamenten stehen. Ein Moment der Unachtsamkeit beim Gebrauch des Elektrowerkzeuges kann zu ernsthaften Verletzungen führen.
- b) Tragen Sie persönliche Schutzausrüstung und immer eine Schutzbrille. Das Tragen persönlicher Schutzausrüstung, wie Staubmaske, rutschfeste Sicherheitsschuhe, Schutzhelm oder Gehörschutz, je nach Art und Einsatz des Elektrowerkzeuges, verringert das Risiko von Verletzungen.
- c) Vermeiden Sie eine unbeabsichtigte Inbetriebnahme. Vergewissern Sie sich, dass das Elektrowerkzeug ausgeschaltet ist, bevor Sie es an den Akku anschließen, es aufnehmen oder tragen. Wenn Sie beim Tragen des Elektrowerkzeuges den Finger am Schalter haben oder das Gerät eingeschaltet an die Stromversorgung anschließen, kann dies zu Unfällen führen.
- d) Entfernen Sie Einstellwerkzeuge oder Schraubenschlüssel, bevor Sie das Elektrowerkzeug einschalten. Ein Werkzeug oder Schlüssel, der sich in einem drehenden Geräteteil befindet, kann zu Verletzungen führen.
- e) Vermeiden Sie eine abnormale Körperhaltung. Sorgen Sie für einen sicheren Stand und halten Sie jederzeit das Gleichgewicht. Dadurch können Sie das Elektrowerkzeug in unerwarteten Situationen besser kontrollieren.
- f) Tragen Sie geeignete Kleidung. Tragen Sie keine weite Kleidung oder Schmuck. Halten Sie Haare und Kleidung fern von sich bewegenden Teilen. Lockere Kleidung, Schmuck oder lange Haare können von sich bewegenden Teilen erfasst werden.
- g) Wenn Staubabsaug- und -auffangeinrichtungen montiert werden können, vergewissern Sie sich, dass diese

angeschlossen sind und richtig verwendet werden. Verwendung einer Staubabsaugung kann Gefährdungen durch Staub verringern.

- h) Vermeiden Sie, durch die häufige Nutzung des Werkzeugs in einen Trott zu verfallen und Prinzipien für die Werkzeugsicherheit zu ignorieren. Eine unachtsame Aktion kann im Bruchteil einer Sekunde zu schweren Verletzungen führen.
- 4) Verwendung und Behandlung des Elektrowerkzeuges
- a) Überlasten Sie das Gerät nicht. Verwenden Sie für Ihre Arbeit das dafür bestimmte Elektrowerkzeug. Mit dem passenden Elektrowerkzeug arbeiten Sie besser und sicherer im angegebenen Leistungsbereich.
- b) Benutzen Sie kein Elektrowerkzeug, dessen Schalter defekt ist. Ein Elektrowerkzeug, das sich nicht mehr ein- oder ausschalten lässt, ist gefährlich und muss repariert werden.
- c) Entfernen Sie den Akku, bevor Sie Geräteeinstellungen vornehmen, Zubehörteile wechseln oder das Gerät weglegen. Diese Vorsichtsmaßnahme verhindert den unbeabsichtigten Start des Elektrowerkzeuges.
- d) Bewahren Sie unbenutzte Elektrowerkzeuge außerhalb der Reichweite von Kindern auf. Lassen Sie Personen das Gerät nicht benutzen, die mit diesem nicht vertraut sind oder diese Anweisungen nicht gelesen haben. Elektrowerkzeuge sind gefährlich, wenn Sie von unerfahrenen Personen benutzt werden.
- e) Pflegen Sie Elektrowerkzeuge mit Sorgfalt. Kontrollieren Sie, ob bewegliche Teile einwandfrei funktionieren und nicht klemmen, ob Teile gebrochen oder so beschädigt sind, dass die Funktion des Elektrowerkzeuges beeinträchtigt ist. Lassen Sie beschädigte Teile vor dem Einsatz des Gerätes reparieren. Viele Unfälle haben ihre Ursache in schlecht gewarteten Elektrowerkzeugen.
- f) Halten Sie Schneidwerkzeuge scharf und sauber. Sorgfältig gepflegte Schneidwerkzeuge mit scharfen Schneidkanten verkleben sich weniger und sind leichter zu führen.
- g) Verwenden Sie Elektrowerkzeug, Zubehör, Einsatzwerkzeuge usw. entsprechend diesen Anweisungen. Berücksichtigen Sie dabei die Arbeitsbedingungen und die auszuführende Tätigkeit. Der Gebrauch von Elektrowerkzeugen für andere als die vorgesehenen Anwendungen kann zu gefährlichen Situationen führen.
- h) Halten Sie die Griffe trocken, sauber und frei von Öl und Fett. Rutschige Griffe und Oberflächen unterbinden die sichere Bedienbarkeit und Kontrolle über das Werkzeug in unerwarteten Situationen.
- 5) Verwendung und Behandlung des Akkuwerkzeugs
- a) Laden Sie die Akkus nur in Ladegeräten auf, die vom Hersteller empfohlen werden. Für

ein Ladegerät, das für eine bestimmte Art von Akkus geeignet ist, besteht Brandgefahr, wenn es mit anderen Akkus verwendet wird.

- b) Verwenden Sie nur die dafür vorgesehenen Akkus in den Elektrowerkzeugen. Der Gebrauch von anderen Akkus kann zu Verletzungen und Brandgefahr führen.
- c) Halten Sie den nicht benutzten Akku fern von Büroklammern, Münzen, Schlüsseln, Nägeln, Schrauben oder anderen kleinen Metallgegenständen, die eine Überbrückung der Kontakte verursachen könnten. Ein Kurzschluss zwischen den Akkukontakten kann Verbrennungen oder Feuer zur Folge haben.
- d) Bei falscher Anwendung kann Flüssigkeit aus dem Akku austreten. Vermeiden Sie den Kontakt damit. Bei zufälligem Kontakt mit Wasser abspülen. Wenn die Flüssigkeit in die Augen kommt, nehmen Sie zusätzlich ärztliche Hilfe in Anspruch. Austretende Akkufflüssigkeit kann zu Hautreizungen oder Verbrennungen führen.
- e) Verwenden Sie kein Akkupack oder Werkzeug, das beschädigt ist. Beschädigte oder modifizierte Akkus können unvorhersehbare Reaktionen auslösen und zu Bränden, Explosionen oder Verletzungen führen.
- f) Setzen Sie das Akkupack oder Werkzeug keinem Feuer oder übermäßig hohen Temperaturen aus. Die Belastung durch Feuer oder Temperaturen über 130 °C kann zur Explosion führen.
- g) Befolgen Sie alle Ladeanweisungen, und laden Sie das Akkupack oder Werkzeug nicht außerhalb des in den Anweisungen festgelegten Temperaturbereichs auf. Ein unsachgemäßer Ladevorgang oder Temperaturen außerhalb des festgelegten Bereichs können den Akku schädigen und die Brandgefahr erhöhen.
- 6) Service
- a) Lassen Sie Ihr Elektrowerkzeug nur von qualifiziertem Fachpersonal und nur mit Original-Ersatzteilen reparieren. Damit wird sichergestellt, dass die Sicherheit des Gerätes erhalten bleibt.
- b) Führen Sie niemals Wartungsarbeiten an beschädigten Akkus durch. Die Wartung von Akkupacks darf nur vom Hersteller selbst oder autorisierten Dienstleistern durchgeführt werden.

ZUSÄTZLICHE WICHTIGE SICHERHEITSHINWEISE FÜR IHRE KABELLOSE HECKENSCHERE

- a) Halten Sie alle Körperteile fern von der Schneide des Sägeblatts. Wenn sich das Sägeblatt bewegt, dürfen Sie bereits












geschnittene Gegenstände nicht entfernen oder zu schneidende Gegenstände festhalten. Die Klängen bewegen sich weiter, nachdem der Schalter ausgeschaltet wurde. Ist der Heckenschneider in Betrieb, braucht man nur einen Augenblick unaufmerksam zu sein, um schwere Körperverletzungen zu verursachen.





- b) **Tragen Sie den Heckenschneider am Griff bei angehaltenem Sägeblatt und achten Sie darauf, dass Sie keinen Geräteschalter betätigen.** Sachgemäßer Umgang mit dem Heckenschneider verringert die Wahrscheinlichkeit von Körperverletzungen durch das Sägeblatt.
- c) **Bringen Sie bei Transport oder Lagerung der Heckenschere immer die Messerabdeckung an.** Die richtige Handhabung der Heckenschere verringert die Gefahr von Verletzungen durch die Messer.
- d) **Wenn Sie eingeklemmtes Material beseitigen oder das Gerät warten, stellen Sie sicher, dass alle Geräteschalter ausgeschaltet sind und der Akku-Pack entfernt oder abgeklemmt wurde.** Unerwartetes Betätigen der Heckenschere beim Beseitigen von eingeklemmtem Material oder bei Wartungsarbeiten kann zu schweren Verletzungen führen.
- e) **Halten Sie das Werkzeug nur an den isolierten griffigen Oberflächen, wenn Sie einen Einsatz durchführen, bei dem Schneidwerkzeuge eventuell versteckte Kabel berühren könnten.** Berührung mit einem unter Strom stehenden Kabel kann auch die Metallteile des Gerätes unter Strom setzen und dem Bedienenden einen Stromschlag versetzen.
- f) **Halten Sie alle Netzkabel und Leitungen vom Schneidbereich fern.** Stromkabel oder Leitungen können in Hecken oder Büschen versteckt sein und versehentlich vom Messer geschnitten werden.
- g) **Verwenden Sie die Heckenschere nicht bei schlechten Witterungsbedingungen, insbesondere bei Blitzschlaggefahr.** Dadurch verringert sich das Risiko, vom Blitz getroffen zu werden.
- h) **Überprüfen Sie die Hecken und Büsche auf Fremdkörper, z. B. Drahtzäune und versteckte Leitungen.**
- i) **Halten Sie die Heckenschere richtig, z. B. mit beiden Händen, wenn zwei Griffe vorhanden sind.**
- j) **Die Heckenschere ist für die Verwendung durch den Bediener am Boden und nicht auf Leitern oder anderen instabilen Stützen vorgesehen.**
- k) **Vor dem Betrieb der Heckenschere sollte sich der Benutzer vergewissern, dass die Verriegelungsvorrichtung(en) aller beweglichen Elemente (z. B. der verlängerte Schaft und das Schwenkelement), falls vorhanden, in der verriegelten Position sind.**

SICHERHEIT HINWEISE FÜR AKKUPACK

- a) **Zellen bzw. Akkupack nicht zerlegen, öffnen oder zerdrücken.**
- b) **Akkupack nicht kurzschließen.** Akkupacks nicht wahllos in einer Schachtel oder Schublade aufbewahren, wo sie einander kurzschließen oder durch andere leitfähige Materialien kurzgeschlossen werden könnten. Bei Nichtverwendung des Akkupacks ist dieses von Metallgegenständen fernzuhalten, wie etwa Büroklammern, Münzen, Nägeln, Schrauben oder anderen kleinen Metallgegenständen, wo sich die Batterieklemmen berühren könnten. Das Kurzschließen der Batterieklemmen kann Verbrennungen bzw. einen Brand verursachen.
- c) **Zellen bzw. Akkupacks nicht Hitze oder Feuer aussetzen.** Lagerung in direktem Sonnenlicht vermeiden.
- d) **Akkupack nicht mechanischen Stößen aussetzen.**
- e) **Im Fall, dass Flüssigkeit aus dem Akku austritt, darf diese nicht in Kontakt mit der Haut oder den Augen kommen.** Sollte dies dennoch geschehen, den betroffenen Bereich sofort mit viel Wasser spülen und einen Arzt aufsuchen.
- f) **Akkupack sauber und trocken halten.**
- g) **Sollten die Klemmen des Akkupacks schmutzig werden, diese mit einem sauberen, trockenen Tuch abwischen.**
- h) **Akkupack muss vor Gebrauch aufgeladen werden.** Immer dieses Anweisungen beachten und den korrekten Ladevorgang ausführen.
- i) **Akkupack bei Nichtverwendung nicht längere Zeit aufladen lassen.**
- j) **Nach längerer Lagerung des Gerätes ist es eventuell notwendig, die Zellen oder das Akkupack mehrere Male aufzuladen und zu entladen, um eine optimale Leistung zu erhalten.**
- k) **Nur mit dem von Kress bezeichneten Ladegerät aufladen.** Kein Ladegerät verwenden, das nicht ausdrücklich für den Gebrauch mit dem Gerät vorgesehen ist.
- l) **Kein Akkupack verwenden, das nicht für den Gebrauch mit dem Gerät vorgesehen ist.**
- m) **Akkupacks von Kindern fernhalten.**
- n) **Die originalen Produktunterlagen zum späteren Nachschlagen aufbewahren.**
- o) **Den Akku bei Nichtverwendung aus dem Gerät nehmen.**
- p) **Ordnungsgemäß entsorgen.**
- q) **Vermischen Sie keine Zellen verschiedener Hersteller, Kapazitäten, Größen oder Typen innerhalb eines Geräts.**
- r) **Halten Sie den Akku von Mikrowellen und hohem Druck fern.**

SYMBOLS

	Zur Reduzierung der Verletzungsgefahr bitte die Bedienungsanleitung durchlesen.
	WARNUNG
	Tragen Sie einen Gehörschutz
	Tragen Sie eine Schutzbrille
	Tragen Sie eine Staubmaske
	Vor Regen und Feuchtigkeit schützen
	Wenn die Akkus unsachgemäß behandelt wird, kann sie in den Wasserkreislauf gelangen und das Ökosystem schädigen. Entsorgen Sie verbrauchte Akkus nicht über den Hausmüll.
	Nicht verbrennen
	Schutzhandschuhe tragen
	Hände vom Sägeblatt fernhalten
	Nehmen sie den akku heraus, bevor sie einstellen, instandsetzungs- oder wartungsarbeiten vornehmen.

 Li-Ion 	Li-Ion-Akku Dieses Produkt wurde mit einem Symbol 'getrennte Sammlung' für alle Akkupacks und Akkupack gekennzeichnet. Diese Abfälle werden dann recycelt oder demontiert, um die Umweltbelastung zu verringern. Akkupacks können schädlich für die Umwelt und die menschliche Gesundheit sein, da sie schädliche Substanzen enthalten.
 	Elektroprodukte dürfen nicht mit dem normalen Haushaltsmüll entsorgt werden, sondern sollten nach Möglichkeit zu einer Recyclingstelle gebracht werden. Ihre zuständigen Behörden oder Ihr Fachhändler geben Ihnen hierzu gerne Auskunft.

DE

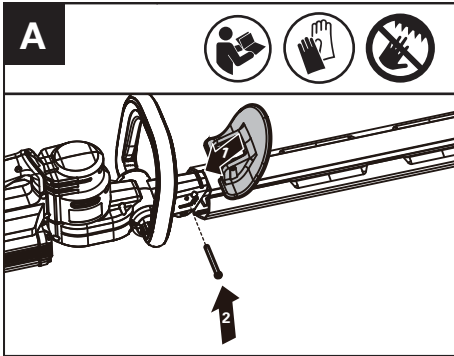
MONTAGE UND BEDIENUNG



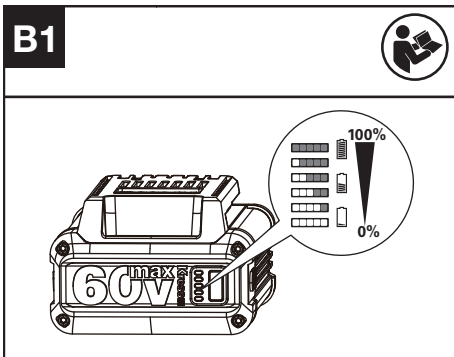
HINWEIS: Lesen Sie das Handbuch vor Inbetriebnahme des Werkzeuges sorgfältig durch.

Montage des Handschutzes (Siehe Bild. A)

Sichern Sie die Schutzvorrichtung mit der Schraube an der Heckenschere.



Prüfen des Akkuladestands (Siehe Bild. B1)



HINWEIS: Abb. B1 gilt nur für das Akkupack mit Akkustandanzeige.

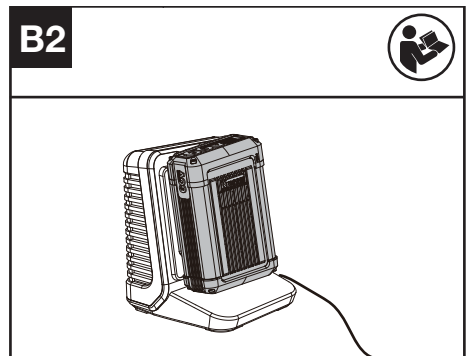
Der Akkustand kann in der Akkustandanzeige abgeleitet werden, indem die Taste neben den Leuchten gedrückt wird. Betätigen Sie vor Beginn oder nach Beendigung der Nutzung die Taste auf dem Gerät neben der Strom-Signalleuchte, um die Batteriekapazität zu überprüfen.

Bemerkungen	LED-Leuchte	Zustand des Akkus
Es leuchten fünf grüne Lämpchen auf		70% ≤ Leistungspegel

Es leuchten vier grüne Lämpchen auf		50% ≤ Leistungspegel < 70%
Es leuchten drei grüne Lämpchen auf		35% ≤ Leistungspegel < 50%
Es leuchten zwei grüne Lämpchen auf		20% ≤ Leistungspegel < 35%
Es leuchtet ein grünes Lämpchen auf		20% ≤ Leistungspegel < 10%
Es leuchtet kein Lämpchen auf		Leistungspegel < 10%

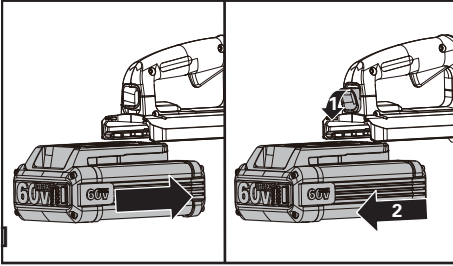
Aufladen des Akkupacks (Siehe Bild. B2)

- Ihr Akku ist teilweise geladen und muss vor dem ersten Gebrauch vollständig aufgeladen werden.
- Weitere Details finden Sie im Handbuch des Ladegeräts.

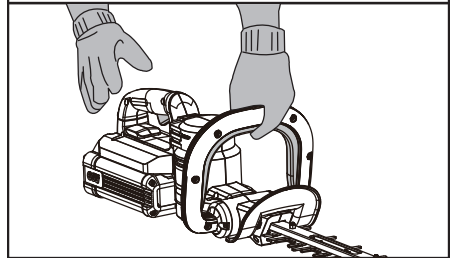


Anbringen Und Entfernen Des Akkus (Siehe Bild. B3)

DE

B3

Lassen Sie den Abzug und den Bediener-Anwesenheitsschalter los, um anzuhalten. (See Abb. C3)

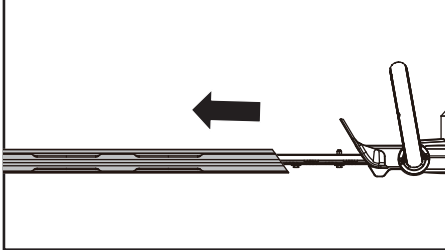
C3

Wenn das Gerät nicht benutzt wird, schalten Sie die Heckenscherer aus und nehmen Sie den Akku heraus.

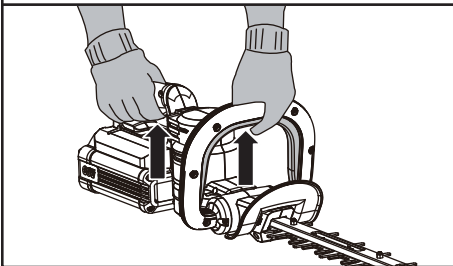
BETRIEB

Démarrage et arrêt

Entfernen Sie vor der Verwendung zuerst den Klingenschutz. (Siehe Bild. C1)

C1

Zum Starten betätigen Sie den Bediener-Anwesenheitsschalter und den Abzug. (See Abb. C2)

C2

Das Arbeiten mit der Heckenscherer

Inspizieren Sie vor Gebrauch die zu schneidende Fläche und entfernen Sie alle Fremdoobjekte, die sich im Messer verfangen könnten. Halten Sie die Heckenscherer immer mit zwei Händen, mit dem Messer von Ihnen abgewendet, bevor Sie das Gerät einschalten.

Führen Sie die Messer bei jungen Zweigen gleichmäßig hin und her, so dass die Zweige direkt in die Messer gezogen werden.

Lassen Sie die Messer auf volle Geschwindigkeit kommen, bevor Sie mit dem Schneiden beginnen. Halten Sie beim Betrieb die Messer von Personen und Objekten wie Wänden, großen Steinen, Bäumen, Fahrzeugen, usw. fern.

Sofort ausschalten, falls die Messer blockieren. Lassen Sie den Abzug und den Bediener-Anwesenheitsschalter los, bevor Sie versuchen, eingeklemmte Abfälle von den Klingen zu entfernen.

Tragen Sie beim Arbeiten an stacheligen oder dornigen Hecken Handschuhe.

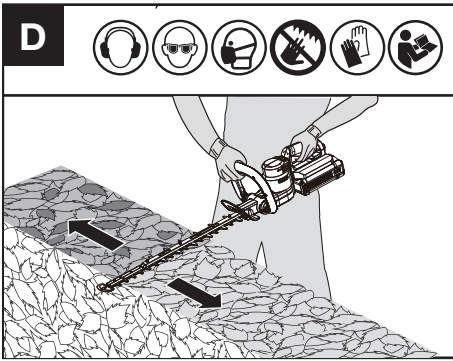
Versuchen Sie nicht, zu starke Zweige zu schneiden.

SCHNEIDEN DER OBERSEITE (Siehe Bild. D)

Donnez au taille- haie un mouvement de large amplitude dans les 2 sens. Une légère inclinaison des lames de haut en bas accompagnant le mouvement donnera une excellente qualité de coupe.

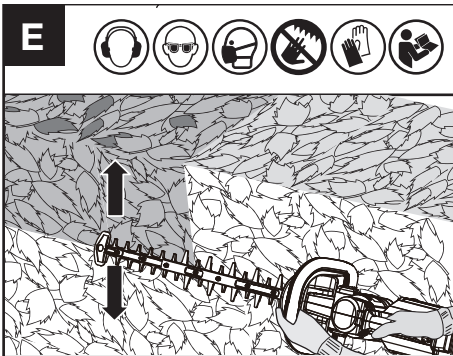


WARNUNG: Falls irgendwelche Teile fehlen, beschädigt oder defekt sind, betreiben Sie die Heckenscherer nicht, bis alle Teile ersetzt oder repariert wurden. Die Nichteinhaltung kann zu schweren Verletzungen führen. **NICHT OHNE VORDEREN GRIFF UND SCHUTZVORRICHTUNG VERWENDEN.**



SCHNEIDEN DER SEITENFLÄCHEN (Siehe Bild. E)

Beginnen Sie beim Schneiden der Seitenflächen unten und schneiden Sie aufwärts, wobei Sie die Hecke nach oben etwas verjüngen. Diese Form bringt die Hecke besser zur Geltung und lässt sie gleichmäßiger wachsen.



BEI AKKUWERKZEUGEN

Der Umgebungstemperaturbereich für die Nutzung und Lagerung von Werkzeug und Akku liegt zwischen 0 °C und 45 °C (32 °F und 113 °F). Der empfohlene Umgebungstemperaturbereich für die Ladestation liegt zwischen 0 °C und 40 °C (32 °F und 104 °F).

TRANSPORT

Transportieren der Heckenschere

1. Schalten Sie die Heckenschere aus und nehmen Sie den Akku heraus.
2. Wenn Sie Ihren Trimmer in der Hand tragen, halten Sie ihn möglichst in der Mitte des Schafts fest, um sicherzustellen, dass er stets parallel zum Boden ausgerichtet ist.
3. Wenn Sie Ihren Trimmer in einem Fahrzeug transportieren, sichern und positionieren Sie ihn so, dass er nicht verrutscht oder beschädigt werden kann.

Transportieren des Akkus

1. Stellen Sie sicher, dass sich der Akku in einem verkehrssicheren Zustand befindet.
2. Verwenden Sie für den Transport des Akkus eine nicht leitfähige Verpackung.
3. Die enthaltenen Li-Ionen-Akkus unterliegen den Bestimmungen des Gefahrgutrechts. Transportieren Sie Akkus nur, wenn das Akkugehäuse unbeschädigt ist. Packen Sie die Akkus so ein, dass sie sich in der Verpackung nicht bewegen können.

WARTUNG

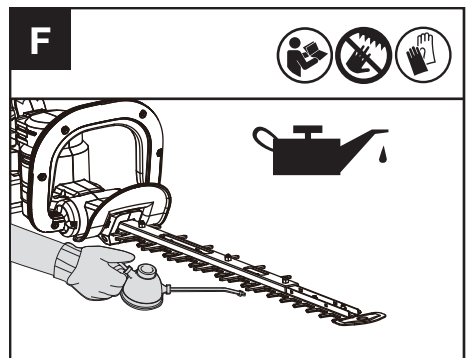
Entfernen Sie den Akku aus der Heckenschere, bevor Sie Einstellungen vornehmen oder Wartungsarbeiten durchführen.

Es enthält keine Teile, die Sie warten müssen. Reinigen Sie Ihr Werkzeug niemals mit Wasser oder chemischen Lösungsmitteln. Wischen Sie es mit einem trockenen Tuch sauber. Lagern Sie Ihr Werkzeug immer an einem trockenen Platz. Sorgen Sie dafür, dass bei staubigen Arbeiten die Lüftungsöffnungen frei sind. Halten Sie alle Bedienelemente staubfrei.

Schmieren

Pflege der Messer (Siehe Bild. F)

HINWEIS: Es ist wichtig, dass nur das empfohlene Standardschmieröl verwendet wird (WD-40), um Schäden an der Klinge zu vermeiden.



Schärfen


! WARNUNG: Betreiben Sie Ihre Maschine nicht mit stumpfen oder beschädigten Schneidmessern, da dies zu Überlastung und unbefriedigender Leistung führt. Wenn die Schnittleistung nachlässt, lassen Sie die Klinge von einem Fachmann nachschärfen. Tragen Sie beim Umgang mit der Schneidklinge immer Schutzhandschuhe und schärfen Sie nur die Schneidkante. Schärfen Sie nur Schneide. Schleifen Sie keine stumpfen, vorstehenden Teile des Schneidmessers oder seines Schutzes. Verwenden Sie einen Schleifstein, um Grat an der Schneide zu

entfernen. Entfernen Sie nach dem Schärfen den Staub von der Klinge.

REINIGUNG

1. Schalten Sie die Heckenschere aus und nehmen Sie den Akku heraus.
2. Verwenden Sie keine aggressiven Reinigungs- oder Lösungsmittel. Reinigen Sie das Gerät nach jedem Gebrauch mit einem Tuch, das Sie zuvor mit einem ph-neutralen Reinigungsmittel angefeuchtet haben.
3. Halten Sie den Akkuanschluss frei von Schmutz und Ablagerungen, und reinigen Sie ihn mit einer weichen, trockenen Bürste oder einem Tuch.
4. Sprühen Sie kein Wasser auf den Motor und die elektrischen Komponenten.
5. Verwenden Sie zur Reinigung Ihres Geräts unter keinen Umständen einen Hochdruckreiniger.

AUFBEWAHRUNG


 **WARNUNG! Entfernen Sie den Akku-Pack. Tragen Sie Schutzhandschuhe, wenn Sie Einstellungs-, Wartungs- oder Reparaturarbeiten durchführen. Halten Sie Ihre Hand oder Finger nicht zwischen die Klängen und achten Sie darauf, dass Sie nicht eingeklemmt oder geschnitten werden.**

1. Setzen Sie immer die Klingenschutzhülle auf das Messer, bevor Sie die Heckenschere verstauen. Berühren Sie nicht die scharfen Zähne der Klängen.
2. Halten Sie das Gerät von korrosiven Stoffen fern.
3. Reinigen Sie die Schneidklängen nach dem Gebrauch.
4. Bewahren Sie das Gerät an einem trockenen Ort außer Reichweite von Kindern und anderen unbefugten Personen auf.

DE

TECHNISCHE DATEN

Typ **KG262 KG262.X (250-299- Bezeichnung der Maschine, Repräsentant der kabellose Heckenschere)**

	KG262 KG262.X **
Spannung	60 V  Max ***
Leerlaufdrehzahl	3400 /min
Klingenlänge	64 cm (25")
Schnittlänge	61 cm (24")
Zahnabstand	34 mm (1.3")
Max. Durchmesser des Schnitts	27 mm (1")
Gewicht (nacktes Werkzeug)	3.03 kg (6.68 lbs)

* X=1-999, A-Z, M1-M9 werden nur für verschiedene Kunden verwendet, es gibt keine sicherheitsrelevanten Veränderungen zwischen diesen Modellen.

** Spannung ohne Arbeitslast gemessen. Die anfängliche Akkuspannung erreicht maximal 60 Volt. Die Nennspannung liegt bei 54 Volt.

EMPFOHLENE AKKUS UND LADEGERÄTE

Kategorie	Modell	Kapazität
60V Akku	KA3001	2.5 Ah
60V Lader	KA3713	3.0 A

Wir empfehlen Ihnen, sämtliche Zubehörteile beim selben Fachhändler zu beziehen, bei dem Sie auch Ihr Elektrowerkzeug gekauft haben. Weitere Informationen finden Sie auf der Verpackung der Zubehörteile. Auch Ihr Fachhändler berät Sie gerne..

INFORMATIONEN ÜBER LÄRM

Gewichteter Schalldruck

L_{pA} : 85.12 dB(A)
 K_{pA} = 3 dB(A)

Gewichtete Schalleistung

L_{wA} : 96.12 dB(A)
 K_{wA} = 3 dB(A)

Tragen Sie Gehörschutz.



INFORMATIONEN ÜBER VIBRATIONEN

Vibrations gesamt messwertermittlung gemäß EN 62841:

Vibrationsemissionswert: $a_h = 2.16 \text{ m/s}^2$

Unsicherheit $K = 1.5 \text{ m/s}^2$

Der angegebene Vibrationsgesamtwert kann und der angegebene Vibrationsemissionswert wurden gemäß Standardprüfverfahren gemessen und können zum Vergleichen eines Werkzeug mit einem anderen verwendet werden. Der angegebene Vibrationsgesamtwert und der angegebene Vibrationsemissionswert können auch für eine anfängliche Beurteilung der Beeinträchtigung verwendet werden.



WARNUNG: Die Vibrations- und Lärmemissionen bei der eigentlichen Nutzung des Elektrowerkzeugs können vom angegebenen Wert abweichen, je nachdem, wie das Werkzeug verwendet wird und insbesondere abhängig davon, welcher Werkstücktyp verarbeitet wird, und abhängig von folgenden Beispielen und verschiedenen Einsatzmöglichkeiten des Werkzeugs:

Wie das Werkzeug verwendet wird und Materialien geschnitten oder angebohrt werden.
Das Werkzeug ist in gutem Zustand und gut gepflegt.
Verwendung des richtigen Zubehörs für das Werkzeug und Gewährleistung seiner Schärfe und seines guten Zustands.
Die Festigkeit des Griffs auf den Handgriffen und, falls Antivibrations- und Lärmschutzzubehör verwendet wird.
Und ob das verwendete Werkzeug dem Design und diesen Anweisungen entsprechend verwendet wird.

Wird dieses Werkzeug nicht anemessen gehandhabt, kann es ein Hand-Arm-Vibrationssyndrom erzeugen.



WARNUNG: Um genau zu sein, sollte ein Abschätzung des Belastungsgrades aller Arbeitsabschnitte während tatsächlicher Verwendung berücksichtigt werden, z.B. die Zeiten, wenn das Werkzeug ausgeschaltet ist, und wenn es sich im Leerlauf befindet und eigentlich nicht eingesetzt wird. Auf diese Weise kann der Belastungsgrad während der gesamten Arbeitszeit wesentlich gemindert werden.

Hilft dabei, das Risiko der Vibrations- und Lärmbelastung zu minimieren.

Verwenden Sie **IMMER** scharfe Meissel, Bohrer und Sägeblätter.

Pflegen Sie dieses Werkzeug diesen Anweisungen entsprechend und achten Sie auf eine gute Einfettung (wo erforderlich).

Falls das Werkzeug regelmäßig verwendet werden soll, investieren Sie in Antivibrations- und Lärmschutzzubehör. Machen Sie einen Arbeitsplan, um die Verwendung von hochvibrierenden Werkzeugen auf mehrere Tage zu verteilen.

UMWELTSCHUTZ



Elektroprodukte dürfen nicht mit dem normalen Haushaltsmüll entsorgt werden, sondern sollten nach Möglichkeit zu einer Recyclingstelle gebracht werden. Ihre zuständigen Behörden oder Ihr Fachhändler geben Ihnen hierzu gerne Auskunft.

KONFORMITÄTSERKLÄRUNG

Wir,

Positec Germany GmbH

Postfach 32 02 16, 50796 Cologne, Germany

Erklären im Namen von Positec, dass das Produkt Beschreibung **Akku-Heckenschere**
Typ **KG262 KG262.X (250-299- Bezeichnung der Maschine, Repräsentant der kabellose Heckenschere)**
Funktion **Beschneiden von Hecken und Sträuchern**

Den Bestimmungen der folgenden Richtlinien entspricht:

2006/42/EC

2014/30/EU

2011/65/EU&(EU)2015/863

2000/14/EC geändert durch 2005/88/EC

2000/14/EC geändert durch 2005/88/EC:

- Konformitätsbewertungsverfahren nach **Annex V**
- Gemessene Schallleistung **96.12 dB (A)**
- Garantierte Schallleistung **97 dB(A)**

Werte nach,

EN 62841-1

EN 62841-4-2

EN ISO 3744

EN IEC 55014-1

EN IEC 55014-2

EN IEC 63000

Zur Kompilierung der technischen Datei ermächtigte Person,

Name

Marcel Filz

Anschrift

Positec Germany GmbH

Postfach 32 02 16, 50796 Cologne, Germany



2023/09/06

Allen Ding

Stellvertretender Chefsingenieur, Prüfung und Zertifizierung

Positec Technology (China) Co., Ltd

18, Dongwang Road, Suzhou Industrial Park, Jiangsu 215123, P. R. China

SOMMAIRE

Introduction.....	25
Liste Des Composants.....	26
Sécurité Du Produit.....	27
Assemblage Et Fonctionnement.....	30
Transport.....	32
Entretien.....	32
Nettoyage.....	33
Stockage.....	33
Caractéristiques.....	34
Protection De L'Environnement.....	35
Declaration De Conformite.....	35

F

INTRODUCTION

Cher Client,

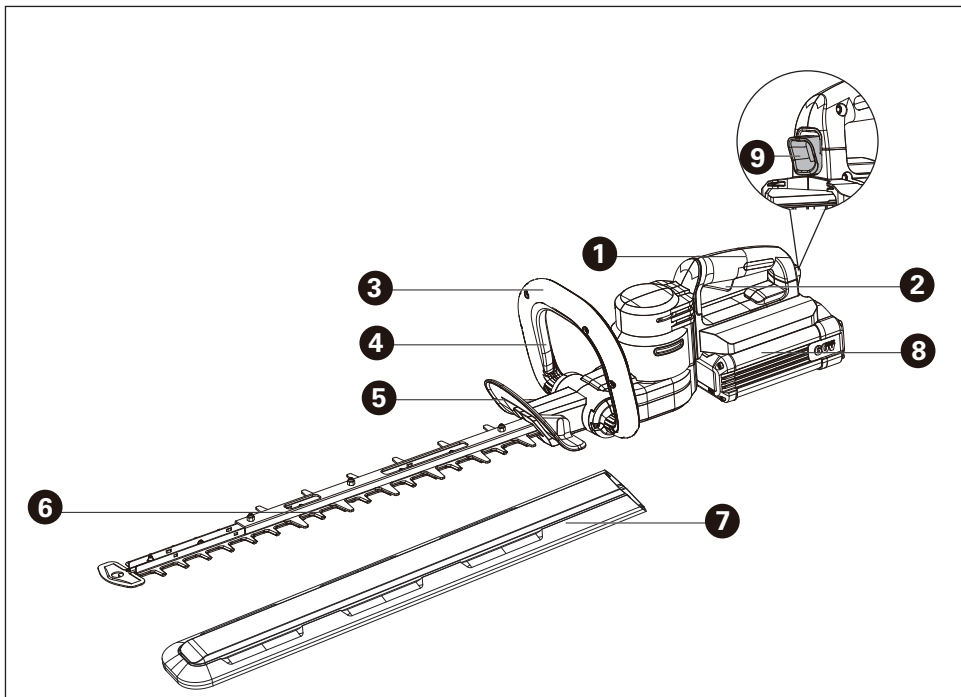
Merci d'avoir acheté ce produit de la marque Kress. Nous nous engageons à développer des produits de haute qualité pour répondre à vos exigences d'aménagement paysager.

La marque Kress est synonyme de service de qualité supérieure. Tout au long du cycle de vie de votre produit, si vous avez des questions ou des inquiétudes à son sujet, veuillez contacter le lieu où vous l'avez acheté ou notre équipe de service clientèle pour vous aider.

Nous espérons que vous serez satisfait de votre produit de la marque Kress pour les années à venir.

UTILISATION CONFORME

La machine est conçue pour couper et tailler les haies et les buissons pour un usage résidentiel ou commercial de petite envergure.



F

LISTE DES COMPOSANTS

- | | |
|----|--|
| 1. | POIGNÉE ARRIÈRE |
| 2. | GÂCHETTE D'ACCÉLÉRATION |
| 3. | POIGNÉE AVANT |
| 4. | COMMUTATEUR DE PRÉSENCE D'OPÉRATEUR (CIRCULAIRE) |
| 5. | BOUCLIER DE SÉCURITÉ(PROTECTEUR) |
| 6. | LAME |
| 7. | ETUI PROTECTEUR DE LAME |
| 8. | BPACK BATTERIE * |
| 9. | BOUTON DE LIBÉRATION DE LA BATTERIE |

* Les accessoires reproduits ou décrits ne sont pas tous compris avec le modèle standard livré.

NOTICE ORIGINALE

SÉCURITÉ DU PRODUIT

AVERTISSEMENTS DE

SÉCURITÉ GÉNÉRAUX

POUR L'OUTIL



AVERTISSEMENT Lire l'ensemble des mises en garde, instructions, illustrations et spécifications fourni avec cet outil électrique.

Ne pas suivre toutes les instructions énumérées ci-dessous peut conduire à une électrocution, un incendie et / ou des blessures graves.

Conserver tous les avertissements et toutes les instructions pour pouvoir s'y reporter ultérieurement.

Le terme «outil» dans les avertissements fait référence à votre outil électrique alimenté par le secteur (avec cordon d'alimentation) ou votre outil fonctionnant sur batterie (sans cordon d'alimentation).

1. SÉCURITÉ DE LA ZONE DE TRAVAIL

- a) **Conserv**er la zone de travail propre et bien éclairée. *Les zones en désordre ou sombres sont propices aux accidents.*
- b) **Ne pas faire fonctionner les outils électriques en atmosphère explosive, par exemple en présence de liquides inflammables, de gaz ou de poussières.** *Les outils électriques produisent des étincelles qui peuvent enflammer les poussières ou les fumées.*
- c) **Maintenir les enfants et les personnes présentes à l'écart pendant l'utilisation de l'outil.** *Les distractions peuvent vous faire perdre le contrôle de l'outil.*

2. SÉCURITÉ ÉLECTRIQUE

- a) **Il faut que les fiches de l'outil électrique soient adaptées au socle. Ne jamais modifier la fiche de quelque façon que ce soit. Ne pas utiliser d'adaptateurs avec des outils à branchement de terre.** *Des fiches non modifiées et des socles adaptés réduiront le risque de choc électrique.*
- b) **Éviter tout contact du corps avec des surfaces reliées à la terre telles que les tuyaux, les radiateurs, les cuisinières et les réfrigérateurs.** *Il existe un risque accru de choc électrique si votre corps est relié à la terre.*
- c) **Ne pas exposer les outils à la pluie ou à des conditions humides.** *La pénétration d'eau à l'intérieur d'un outil augmentera le risque de choc électrique.*
- d) **Ne pas maltraiter le cordon. Ne jamais utiliser le cordon pour porter, tirer ou débrancher l'outil. Maintenir le cordon à l'écart de la chaleur, du lubrifiant, des arêtes ou des parties en mouvement.** *Des cordons endommagés ou emmêlés augmentent le risque de choc électrique.*
- e) **Lorsqu'on utilise un outil à l'extérieur, utiliser un prolongateur adapté à l'utilisation extérieure.** *L'utilisation d'un cordon adapté à l'utilisation extérieure réduit le risque de choc électrique.*

- f) **Si l'usage d'un outil dans un emplacement humide est inévitable, utiliser une alimentation protégée par un dispositif à courant différentiel résiduel (DDR).** *L'usage d'un DDR réduit le risque de choc électrique.*

3. SÉCURITÉ DES PERSONNES

- a) **Restez vigilant, regardez ce que vous êtes en train de faire et faites preuve de bon sens dans votre utilisation de l'outil. Ne pas utiliser un outil lorsque vous êtes fatigué ou sous l'emprise de drogues, d'alcool ou de médicaments.** *Un moment d'inattention en cours d'utilisation d'un outil peut entraîner des blessures graves des personnes.*
- b) **Utiliser un équipement de sécurité. Toujours porter une protection pour les yeux.** *Les équipements de sécurité tels que les masques contre les poussières, les chaussures de sécurité antidérapantes, les casques ou les protections acoustiques utilisés pour les conditions appropriées réduiront les blessures de personnes.*
- c) **Éviter tout démarrage intempestif. S'assurer que l'interrupteur est en position arrêté avant de brancher l'outil au secteur et/ou au bloc de batteries, de le ramasser ou de le porter.** *Porter les outils en ayant le doigt sur l'interrupteur ou brancher des outils dont l'interrupteur est en position marche est source d'accidents.*
- d) **Retirer toute clé de réglage avant de mettre l'outil en marche.** *Une clé laissée fixée sur une partie tournante de l'outil peut donner lieu à des blessures de personnes.*
- e) **Ne pas se précipiter. Garder une position et un équilibre adaptés à tout moment.** *Cela permet un meilleur contrôle de l'outil dans des situations inattendues.*
- f) **S'habiller de manière adaptée. Ne pas porter de vêtements amples ou de bijoux. Garder les cheveux, les vêtements et les gants à distance des parties en mouvement.** *Des vêtements amples, des bijoux ou les cheveux longs peuvent être pris dans des parties en mouvement.*
- g) **Si des dispositifs sont fournis pour le raccordement d'équipements pour l'extraction et la récupération des poussières, s'assurer qu'ils sont connectés et correctement utilisés.** *Utiliser des collecteurs de poussière peut réduire les risques dus aux poussières.*
- h) **Ne pas laisser les habitudes acquises au cours d'une utilisation fréquente des outils nous rendre complaisants et ignorer les principes de sécurité de l'outil.** *Une action imprudente peut entraîner des blessures graves en une fraction de seconde.*

4. UTILISATION ET ENTRETIEN DE L'OUTIL

- a) **Ne pas forcer l'outil. Utiliser l'outil adapté à votre application.** *L'outil adapté réalisera mieux le travail et de manière plus sûre au régime pour lequel il a été construit.*
- b) **Ne pas utiliser l'outil si l'interrupteur ne permet pas de passer de l'état de marche à arrêté et vice versa.** *Tout outil qui ne peut pas être commandé par l'interrupteur est dangereux et il faut le réparer.*
- c) **Débrancher la fiche de la source d'alimentation en courant et/ou le bloc de batteries de l'outil**

avant tout réglage, changement d'accessoires ou avant de ranger l'outil. De telles mesures de sécurité préventives réduisent le risque de démarrage accidentel de l'outil.

- d) **Conserver les outils à l'arrêt hors de la portée des enfants et ne pas permettre à des personnes ne connaissant pas l'outil ou les présentes instructions de le faire fonctionner.** Les outils sont dangereux entre les mains d'utilisateurs novices.
- e) **Observer la maintenance de l'outil. Vérifier qu'il n'y a pas de mauvais alignement ou de blocage des parties mobiles, des pièces cassées ou toute autre condition pouvant affecter le fonctionnement de l'outil. En cas de dommages, faire réparer l'outil avant de l'utiliser.** De nombreux accidents sont dus à des outils mal entretenus.
- f) **Garder affûtés et propres les outils permettant de couper.** Des outils destinés à couper correctement entretenus avec des pièces coupantes tranchantes sont moins susceptibles de bloquer et sont plus faciles à contrôler.
- g) **Utiliser l'outil, les accessoires et les lames etc., conformément à ces instructions, en tenant compte des conditions de travail et du travail à réaliser.** L'utilisation de l'outil pour des opérations différentes de celles prévues pourrait donner lieu à des situations dangereuses.
- h) **Maintenir les poignées et les surfaces de préhension sèches, propres et exemptes d'huile et de graisse.** Des poignées et surfaces de préhension glissantes ne permettent pas une manipulation et un contrôle de l'outil en toute sécurité en cas d'imprévu.

5. UTILISATION DES OUTILS FONCTIONNANT SUR BATTERIES ET PRÉCAUTIONS D'EMPLOI

- a) **Ne recharger qu'avec le chargeur spécifié par le fabricant.** Un chargeur qui est adapté à un type de bloc de batteries peut entraîner un risque d'incendie lorsqu'il est utilisé avec un autre type de bloc de batteries.
- b) **N'utiliser les outils qu'avec des blocs de batteries spécifiquement désignés.** L'utilisation de tout autre bloc de batteries peut entraîner un risque de blessure et d'incendie.
- c) **Lorsqu'un bloc de batteries n'est pas utilisé, le maintenir à l'écart de tout autre objet métallique, par exemple trombones, pièces de monnaie, clés, clous, vis ou autres objets de petite taille qui peuvent donner lieu à une connexion d'une borne à une autre.** Le court-circuitage des bornes d'une batterie entre elles peut causer des brûlures ou un incendie.
- d) **Dans de mauvaises conditions, du liquide peut être éjecté de la batterie; éviter tout contact. En cas de contact accidentel, nettoyer à l'eau. Si le liquide entre en contact avec les yeux, rechercher en plus une aide médicale.** Le liquide éjecté des batteries peut causer des irritations ou des brûlures.
- e) **N'utilisez pas de batterie ou d'outil endommagé ou modifié.** Des batteries endommagées ou modifiées peuvent se comporter de façon imprévisible et causer un incendie, une explosion ou un risque de blessure.
- f) **N'exposez pas une batterie ou un outil à un incendie ou à une température excessive.**

L'exposition à un incendie ou une température supérieure à 130 °C peut causer une explosion.

- g) **Suivez toutes les instructions de charge et ne rechargez pas la batterie ou l'outil en dehors de la plage de température spécifiée dans les instructions.** Recharger la batterie de façon inappropriée ou en dehors de la plage de température spécifiée peut l'endommager et augmente le risque d'incendie.
- ## 6. MAINTENANCE ET ENTRETIEN
- a) **Faire entretenir l'outil par un réparateur qualifié utilisant uniquement des pièces de rechange identiques.** Cela assurera le maintien de la sécurité de l'outil.
 - b) **Ne révisiez jamais de batteries endommagées.** La révision de batteries doit uniquement être effectuée par le fabricant ou les prestataires de service autorisés.

AVERTISSEMENTS DE SÉCURITÉ DU TAILLE-HAIE

- a) **Maintenez toutes les parties du corps éloignées de la lame de coupe. N'enlevez pas la matière coupée, et en tenez pas la matière à couper pendant que les lames sont en mouvement.** Les lames continuent de bouger après avoir mis l'interrupteur hors tension. Un moment d'inattention lors de l'utilisation du taille-haie peut causer de graves blessures personnelles.
- b) **Portez le taille-haie par la poignée et avec la lame de coupe arrêtée, et veillez à n'actionner aucun interrupteur d'alimentation.** Une manipulation appropriée du taille-haie réduit le risque de blessure personnelle en raison des lames de coupe.
- c) **Lorsque vous transportez ou rangez le taille-haie, fixez toujours l'étui protecteur de lame.** Une manipulation appropriée du taille-haie réduit le risque de blessure corporelle causée par les lames.
- d) **Au moment de retirer un objet bloqué ou d'entretenir l'unité, n'oubliez pas de mettre tous les interrupteurs d'alimentation hors tension, et de retirer ou débrancher le bloc de batterie.** L'actionnement inattendu du taille-haie tout en retirant un objet bloqué ou en effectuant l'entretien peut entraîner de graves blessures personnelles.
- e) **Tenez l'outil par ses surfaces antidérapantes et isolées si l'outil de coupe risque d'entrer en contact avec des câbles cachés.** L'entrée en contact avec un câble sous tension rendra les parties en métal de l'outil également sous tension et l'utilisateur pourrait recevoir une décharge électrique.
- f) **Éloignez tous les cordons d'alimentation et les câbles électriques de la zone de coupe.** Les cordons d'alimentation ou les câbles électriques sont peut-être dissimulés dans les haies ou les buissons, et peuvent être coupés par accident par la lame.
- g) **N'utilisez pas le taille-haie en cas d'intempéries, surtout lorsqu'il y a un risque d'éclair.** Cela réduit le risque d'être frappé par la foudre.
- h) **Vérifier la haie pour détecter la présence de corps étrangers, tels que par ex. des clôtures barbelées et des fils électriques cachés.**






- i) Tenez correctement la taille-haie, par ex. des deux mains si l'outil est muni de deux poignées.
- j) Le taille-haie est conçu pour être utilisé par l'opérateur au niveau du sol, pas sur une échelle ou sur tout autre support instable.
- k) Avant de faire fonctionner la taille-haie, l'utilisateur doit s'assurer que le ou les dispositifs de verrouillage des éléments mobiles (par ex. l'arbre allongé et l'élément pivotant), si présents, sont en position verrouillée.

MISES EN GARDE CONCERNANT LA BATTERIE

- a) La batterie et les piles secondaires ne doivent pas être ouvertes, démontées ou broyées.
- b) La batterie ne doit pas être court-circuitée. Évitez de mettre la batterie en vrac dans une boîte ou dans un tiroir où elles risqueraient de se court-circuiter entre elles ou au contact d'autres objets métalliques. Après usage, évitez tout contact de la batterie avec d'autres objets métalliques de petite taille (trombones, pièces, clés, clous, vis etc.) susceptibles de court-circuiter les pôles. Un court-circuit entre les pôles de la batterie peut être à l'origine de brûlures ou d'un incendie.
- c) La batterie ne doit pas être exposée au feu et à la chaleur. Évitez de la ranger à la lumière du soleil.
- d) La batterie et les piles ne doivent pas être soumises à des chocs mécaniques.
- e) En cas de fuite des piles, évitez tout contact du liquide avec la peau et les yeux. En cas de contact, rincez abondamment la surface touchée avec de l'eau et appelez les urgences.
- f) La batterie et les piles doivent rester propres et sèches.
- g) Si la batterie ou les piles se salissent, essuyez-les avec un chiffon propre et sec.
- h) La batterie et les piles doivent être chargées avant usage. Utilisez toujours le chargeur adéquat, et respectez les instructions du fabricant ou le mode d'emploi de l'appareil concernant la procédure de recharge.
- i) Évitez de laisser une batterie se charger pendant trop longtemps lorsqu'elle n'est pas utilisée.
- j) Après de longues périodes d'inutilisation, il peut être nécessaire de charger et décharger la batterie et les piles à plusieurs reprises avant que celles-ci ne retrouvent leur capacité maximale.
- k) N'utilisez pas d'autre chargeur que celui spécifié par Kress. N'utilisez pas d'autre chargeur que celui spécifiquement fourni avec l'appareil.
- l) N'utilisez en aucun cas une batterie autre que celle prévue pour cet appareil.
- m) La batterie doit être tenue hors de portée des enfants.
- n) Gardez la documentation d'origine du produit afin de pouvoir vous y référer ultérieurement.
- o) Enlevez la batterie de l'appareil lorsque vous ne l'utilisez pas.
- p) Respectez les procédures de mise au rebut.
- q) Ne pas mélanger des piles de fabrication, capacité,

- taille ou type différents dans un appareil.
- r) Protégez la batterie des micro-ondes et des hautes pressions.

SYMBOLES

	Pour réduire le risque de blessure, l'utilisateur doit lire le mode d'emploi.
	Avertissement
	Porter une protection pour les oreilles
	Porter une protection pour les yeux
	Porter un masque contre la poussière
	Ne pas exposer à la pluie ou à l'eau.
	Les piles peuvent entrer dans le cycle de l'eau si elles sont éliminées de manière inappropriée, ce qui peut être dangereux pour l'écosystème. Ne jetez pas les piles utilisées avec les déchets ménagers non triés.
	Ne pas brûler.
	Portez des gants de protection
	Tenez les mains à l'écart
	Retirez la batterie avant d'effectuer des réglages, une réparation ou un entretien.



Li-Ion

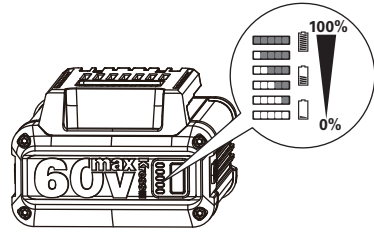


La batterie Li-Ion. Ce produit a été identifié par un symbole «Collection séparée» pour toutes les batteries et pour toutes les paquets de batterie. Il sera ensuite recyclé ou démantelé afin de réduire l'impact sur l'environnement. Les paquets de batterie peuvent être dangereuses pour l'environnement et la santé humaine car elles contiennent des substances dangereuses.



Les déchets d'équipements électriques et électroniques ne doivent pas être déposés avec les ordures ménagères. Ils doivent être collectés pour être recyclés dans des centres spécialisés. Consultez les autorités locales ou votre revendeur pour obtenir des renseignements sur l'organisation de la collecte.

B1



REMARQUE: La Fig. B1 s'applique uniquement à la batterie avec témoin lumineux de batterie. Vous pouvez connaître le niveau de batterie grâce au témoin lumineux de batterie en appuyant sur le bouton à côté des voyants. Avant de démarrer ou après utilisation, appuyez sur le bouton à côté du voyant d'alimentation sur la machine pour vérifier la capacité de la batterie.

ASSEMBLAGE ET FONCTIONNEMENT

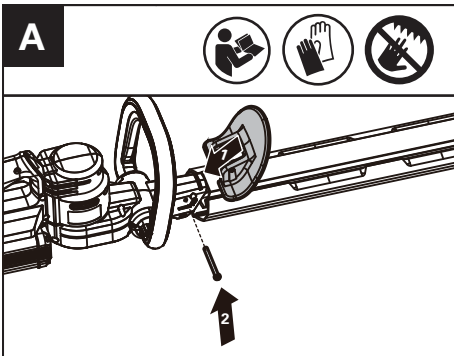
F



REMARQUE: Avant d'utiliser cet outil, lire attentivement les instructions.

Montage du bouclier protecteur (Voir Fig. A)

Fixez le bouclier protecteur sur la taille-haie à l'aide de la vis.



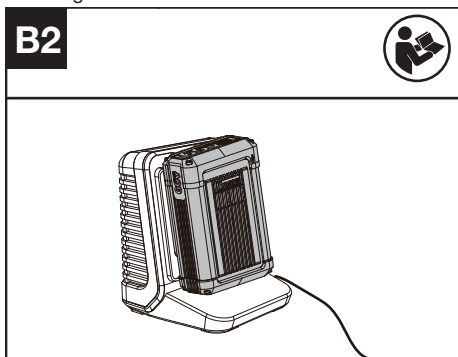
Vérification de l'état de charge de la batterie (Voir Fig. B1)

Remarques	Voyant LED	État de la batterie
Cinq voyants verts allumés.		70 % ≤ Niveau de puissance
Quatre voyants verts allumés.		50% ≤ Niveau de puissance < 70 %
Trois voyants verts allumés.		35 % ≤ Niveau de puissance < 50 %
Deux voyants verts allumés.		20 % ≤ Niveau de puissance < 35 %
Un voyant vert allumé.		20 % ≤ Niveau de puissance < 10 %
Aucun voyant allumé.		Niveau de puissance < 10 %

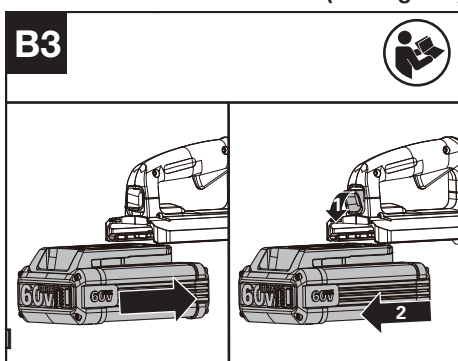
Charge de votre batterie (Voir Fig. B2)

- Votre bloc de batterie est partiellement chargé et doit être complètement chargé avant la première utilisation.
- Pour plus d'informations, reportez-vous au manuel

du chargeur.



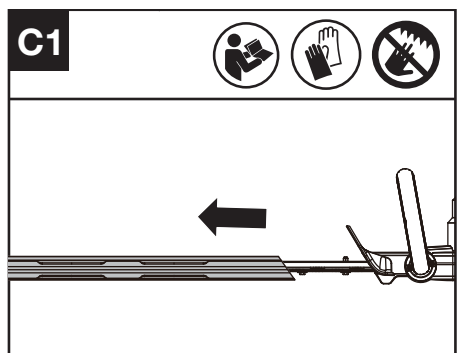
Enlever ou installer la batterie (Voir Fig. B3)



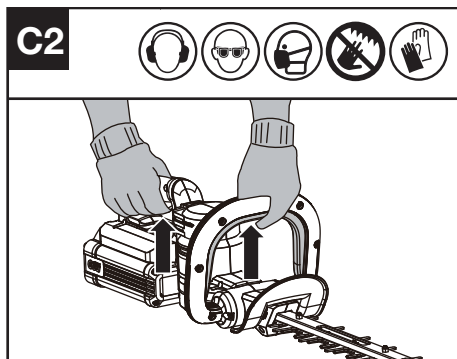
FONCTIONNEMENT

Démarrage et arrêt

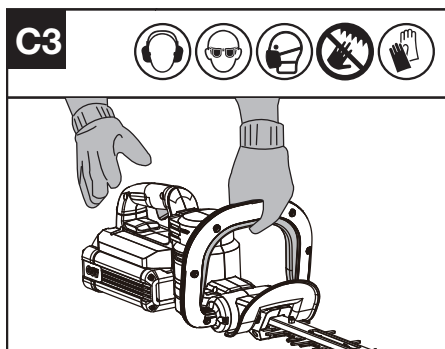
Avant utilisation, retirez d'abord la gaine de la lame. (Voir Fig. C1)



Appuyez sur le commutateur de présence d'opérateur et la gâchette d'accélération pour démarrer. (Voir Fig. C2)



Relâchez la gâchette d'accélération et le commutateur de présence pour arrêter. (Voir Fig. C3)



Lorsque vous n'utilisez pas l'équipement, éteignez le taille-haie et retirez la batterie.

Travailler avec le taille haie

Avant de couper une zone, inspectez-la d'abord et retirez tout objet étranger qui pourrait être projeté ou s'entremêler dans les lames. Tenez toujours le taille-haie des deux mains, la lame loin de vous, avant de le mettre en marche.

Lorsque vous taillez des nouvelles pousses, adoptez un grand mouvement de balayage de sorte que les tiges soient prises directement dans la lame.

Laissez les lames de coupes atteindre le plein régime avant la coupe. Pendant le fonctionnement, tenez les lames de coupes à l'écart des gens et des objets tels que les murs, les grosses pierres, les arbres, les véhicules, etc.

Si la lame se décroche, arrêtez immédiatement le taille-haie.

Relâchez la gâchette d'accélération et le commutateur de présence d'opérateur avant de tenter de retirer les déchets qui bloquent éventuellement les lames.

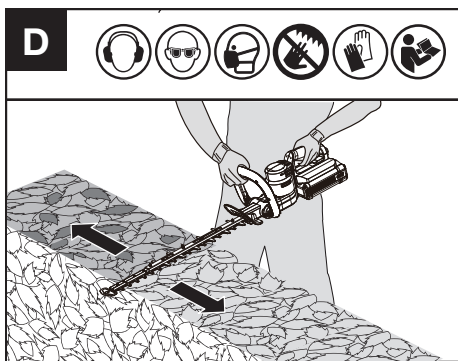
Portez des gants lorsque vous taillez des pousses épineuses.

N'essayez pas de couper les tiges trop épaisses pour la lame coupante.

Coupes hautes (Voir Fig. E)

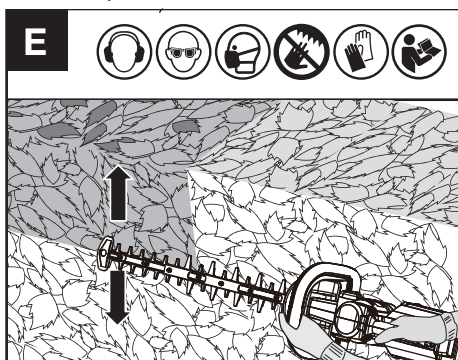
Donnez au taille- haie un mouvement de large amplitude dans les 2 sens. Une légère inclinaison des lames de haut en bas accompagnant le mouvement donnera une excellente qualité de coupe.

⚠ AVERTISSEMENT: Si des pièces manquent, sont endommagées ou cassées, n'utilisez pas le taille-haie sans fil tant que les pièces endommagées ne sont pas remplacées ou réparées. Le non-respect de cette consigne peut entraîner de graves blessures. **NE PAS METTRE EN MARCHÉ L'APPAREIL SANS AVOIR AUPARAVANT MONTE LE BOUCLIER PROTECTEUR ET LA POIGNEE AVANT.**



Coupes sur les côtés (Voir Fig. E)

Pour la taille de côté, démarrez par le bas de la haie, coupez en remontant en effectuant une taille conique du bas vers le haut. Cette forme permet une meilleure exposition de la haie et une croissance plus uniforme.



Pour les outils à batterie

La plage de température ambiante d'utilisation de l'outil et de la batterie est 0 °C-45 °C (32 °F-113 °F).

La plage de température ambiante recommandée pour le système de recharge au cours de la charge est 0 °C-40 °C (32 °F-104 °F).

TRANSPORT

Transport du taille-haie

1. Éteignez le taille-herbe et retirez la batterie.
2. Lorsque vous transportez le taille-bordure manuellement, tenez-le par le centre de l'arbre pour vous assurer que la machine est parallèle au sol.
3. Lorsque vous transportez votre taille-haie à l'aide d'un véhicule, placez-le de manière à éviter qu'il ne se renverse ou ne soit endommagé.

Transporter la batterie

1. Assurez-vous que la batterie est bien protégée et installée.
2. Emballez-la dans un emballage non conducteur lorsque vous transportez la batterie.
3. Une batterie li-ion est sujette aux exigences de la législation sur les produits dangereux. Transportez une batterie seulement si elle n'est pas endommagée. Emballez des batteries de manière qu'elles ne puissent pas bouger pendant le transport.

ENTRETIEN

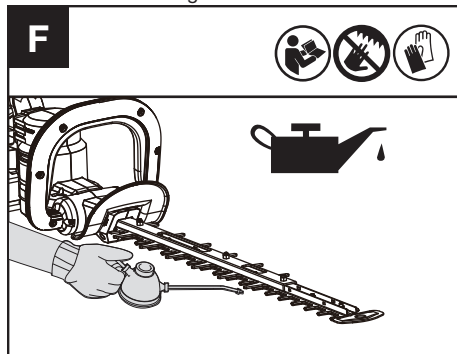
Retirez la batterie avant d'effectuer des réglages, une réparation ou un entretien.

Il n'y a pas de pièces réparables par l'utilisateur dans cet outil. Ne jamais utiliser d'eau ou de nettoyants chimiques pour nettoyer l'outil. Nettoyer avec un chiffon sec. Toujours conserver l'outil motorisé dans un endroit sec. Maintenir les fentes de ventilation du moteur propres. Empêcher que les commandes de marche soient couvertes de sciure.

Graissage

Graissage de la lame de coupe

REMARQUE: Seule l'huile de lubrification standard recommandée (WD-40) peut être utilisée afin d'éviter d'endommager la lame.



AIGUISAGE



Avertissement: Ne faites pas fonctionner votre machine en utilisant des lames de coupe émoussées ou endommagées, ce qui entraînera un risque de surcharge et des résultats peu satisfaisants.

Lorsque les performances de coupe commencent à se détériorer, contactez un professionnel pour faire aiguiser la lame. Portez toujours des gants de protection lorsque vous manipulez la lame du taille-haie et aiguissez seulement le tranchant.

Aiguissez uniquement le tranchant de la lame.

N'affûtez pas les parties saillantes émoussées de la lame de coupe ou sa protection. Utilisez une pierre à aiguiser pour éliminer les bavures du tranchant de la lame. Une fois l'aiguisage effectué, dépoussiérez la lame.

NETTOYAGE

1. Éteignez le taille-herbe et retirez la batterie.
2. Ne pas utiliser de produits détergents agressifs ni de solvants. Nettoyez la machine après utilisation avec un chiffon humide imbibé d'un détergent neutre.
3. Aucun corps étranger ne doit bloquer les connexions de la batterie ; nettoyez-la avec un chiffon ou une brosse souple et sèche.
4. N'aspergez pas d'eau sur le moteur et les composants électriques.
5. N'utilisez pas d'eau sous pression pour nettoyer la machine.

F

STOCKAGE




AVERTISSEMENT : Retirez le bloc de batterie. Retirez la batterie avant d'effectuer tout réglage, entretien ou maintenance. Ne mettez pas les doigts ni les mains entre les lames pour éviter de les pincer ou de les couper.

1. Placez toujours le fourreau sur la lame avant de ranger le taille-haie. Ne touchez pas les dents tranchantes de la lame.
2. Tenez à l'écart de produits corrosifs.
3. Nettoyez les lames de coupe après utilisation.
4. Rangez la machine dans un endroit sec, hors de la portée des enfants et d'autres personnes non autorisées.

CARACTÉRISTIQUES

Modèle **KG262 KG262.X** (250-299- désignations des pièces, illustration de la Taille-haie sans fil)

	KG262 KG262.X **
Tension	60 V  Max ***
Vitesse à vide	3400 /min
Longueur de la lame	64 cm (25")
longueur de coupe	61 cm (24")
Espacement des dents	34 mm (1.3")
Diamètre de coupe maximal	27 mm (1")
Poids de la machine(Outil nu)	3.03 kg (6.68 lbs)

*X = 1-999 ,A-Z , M1-M9, la seule différence entre ces modèles est que les clients visés sont différents. Il n'y a pas de changement concernant la sécurité.

**La tension est mesurée à vide. La tension initiale de la batterie atteint un maximum de 60 volts. La tension nominale est de 54 volts.

BATTERIES ET CHARGEURS CONSEILLÉS

Catégorie	Modèle	Capacité
20V Batterie	KA3001	2.5 Ah
20V Chargeur	KA3713	3.0 A

Nous recommandons d'acheter tous les accessoires dans le magasin d'acquisition de la machine. Pour plus d'informations, se référer à l'emballage des accessoires. Le personnel du magasin est également là pour vous conseiller.

INFORMATIONS RELATIVES AU BRUIT

Niveau de pression
acoustique

L_{PA} : 85.12 dB(A)
 K_{PA} = 3 dB(A)

Niveau de puissance
acoustique

L_{WA} : 96.12 dB(A)
 K_{WA} = 3 dB(A)

**Porter une protection pour
les oreilles**




INFORMATIONS RELATIVES AUX VIBRATIONS


Valeurs totales de vibrations déterminées selon la norme EN 62841:

Valeur d'émission de vibrations: $a_h = 2.16 \text{ m/s}^2$

Incertitude K = 1.5 m/s^2

 La valeur totale de vibration déclarée et la valeur d'émission de bruit déclarée ont été mesurées conformément à la méthode d'essai standard et peuvent être utilisées pour comparer un outil à un autre.

La valeur totale de vibration déclarée et la valeur d'émission de bruit déclarée peuvent également être utilisées lors d'une évaluation préliminaire de l'exposition.

 **AVERTISSEMENT:** les vibrations et les émissions de bruit au cours de l'utilisation réelle de l'outil électrique peuvent varier de la valeur déclarée en fonction du mode d'utilisation de l'outil, en particulier du type de pièce traité selon les exemples suivants et d'autres variations concernant le mode d'utilisation de

l'outil:

Comment l'outil est utilisé et quels matériaux sont coupés ou percés.

L'outil est en bon état et bien entretenu.

L'utilisation du bon accessoire pour l'outil et

l'assurance qu'il est affûté et en bon état.

La force avec laquelle vous serrez les poignées et

l'utilisation éventuelle d'un quelconque accessoire anti-bruit et anti-vibration.

Et l'outil est utilisé comme prévu dans sa conception et dans les présentes instructions.

Cet outil peut causer un syndrome de vibration du bras et de la main s'il n'est pas correctement géré.

AVERTISSEMENT: Pour être précise, une évaluation du niveau d'exposition en conditions réelles d'utilisation doit également tenir compte de toutes les parties du cycle d'utilisation telles que les moments où l'outil est éteint, et ceux où il fonctionne au ralenti mais ne réalise pas réellement de tâche. Ceci peut réduire de façon significative le niveau d'exposition et la période de fonctionnement totale. Facteurs contribuant à minimiser votre risque d'exposition aux vibrations et au bruit.


Utilisez TOUJOURS des ciseaux, des forets et des lames affûtés.

Entretenez cet outil en accord avec les présentes instructions et maintenez-le lubrifié (si approprié).

Si l'outil doit être fréquemment utilisé, investissez dans des accessoires anti-bruit et anti-vibration.

Planifiez votre travail pour étaler toute utilisation d'outil à fortes vibrations sur plusieurs jours.

PROTECTION DE L'ENVIRONNEMENT

 Les déchets d'équipements électriques et électroniques ne doivent pas être déposés avec les ordures ménagères. Ils sont collectés pour être recyclés dans des centres spécialisés. Consultez les autorités locales ou votre revendeur pour obtenir des renseignements sur l'organisation de la collecte.

DECLARATION DE CONFORMITE

Nous,
Positec Germany GmbH
Postfach 32 02 16, 50796 Cologne, Germany

Positec déclare que le produit
Description **Cordless Hedge Trimmer**
Modèle **KG262.X (250-299- désignations des pièces, illustration de la Taille-haie sans fil)**
Fonctions **Émondage des haies et des buissons**

Est conforme aux directives suivantes,
2006/42/EC
2014/30/EU
2011/65/EU&(EU)2015/863
2000/14/EC modifiée par 2005/88/EC

2000/14/EC modifiée par 2005/88/EC:
- Procédure d'évaluation de la conformité conformément à **Annex V**
- Niveau de pression acoustique **96.12 dB(A)**
- Niveau d'intensité acoustique **97 dB(A)**

Et conforme aux normes,
EN 62841-1
EN 62841-4-2
EN ISO 3744
EN IEC 55014-1
EN IEC 55014-2
EN IEC 63000

La personne autorisée à compiler le dossier technique,
Nom: Marcel Filz
Adresse Positec Germany GmbH
Postfach 32 02 16, 50796 Cologne, Germany



2023/09/06
Allen Ding
Ingénieur en chef adjoint, Essais & Certification
Positec Technology (China) Co., Ltd
18, Dongwang Road, Suzhou Industrial Park, Jiangsu 215123, P. R. China

INDICE

Introduzione.....	36
Elementi Dell'apparecchio.....	37
Sicurezza Del Prodotto.....	38
Montaggio E Funzionamento.....	42
Transporto.....	44
Manutenzione.....	44
Pulizia.....	45
Conservazione.....	45
Dati Tecnici.....	46
Tutela Ambientale.....	47
<hr/> IT Dichiarazione Di Conformità.....	47

INTRODUZIONE

Gentile Cliente,

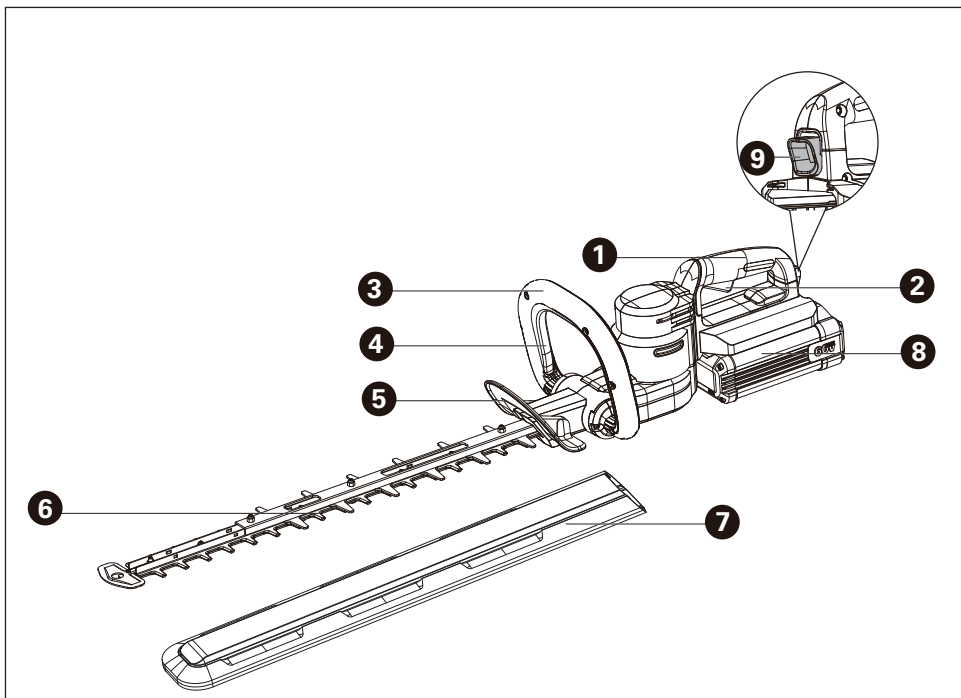
Grazie per aver acquistato questo prodotto Kress. Ci dedichiamo allo sviluppo di prodotti di alta qualità per soddisfare le sue esigenze relative alla progettazione dei giardini.

Il marchio Kress è sinonimo di un servizio di prima qualità. Nel corso degli anni di utilizzo dei prodotti, se ha domande o dubbi, la preghiamo di contattare il rivenditore presso il quale ha acquistato il prodotto o il nostro Servizio clienti per ricevere assistenza.

Siamo sicuri che le piacerà lavorare con il suo prodotto Kress per gli anni a venire.

USO CONFORME ALLE NORME

La macchina è destinata al taglio e alla rifinitura di siepi e cespugli in ambito residenziale o in ambito commerciale moderato.



IT

ELEMENTI DELL'APPARECCHIO

- | | |
|----|--|
| 1. | IMPUGNATURA POSTERIORE |
| 2. | GRILLETTO DELL'ACCELERATORE |
| 3. | IMPUGNATURA ANTERIORE |
| 4. | INTERRUTTORE DI PRESENZA DELL'OPERATORE (AZIONABILE DA OGNI POSIZIONE) |
| 5. | BOUCLIER DE SÉCURITÉ(PROTECTEUR) |
| 6. | LAME |
| 7. | COPERTURA LAMA |
| 8. | PACK BATTERIE * |
| 9. | PULSANTE DI RILASCIO DELLA BATTERIA |

* Accessori illustrati o descritti non fanno necessariamente parte del volume di consegna.

ISTRUZIONI ORIGINALI

SICUREZZA DEL PRODOTTO

AVVISI GENERALI PER LA SICUREZZA DEGLI UTENSILI A MOTORE



AVVERTENZA: Leggere tutte le avvertenze di sicurezza, le istruzioni, le illustrazioni e le specifiche fornite con questo elettro utensile. La mancata osservanza delle istruzioni elencate di seguito potrebbe provocare una scossa elettrica, un incendio e/o lesioni gravi.

Conservare tutti gli avvisi e le istruzioni per poterli consultare quando necessario.

Il termine «elettro utensile elettrico» utilizzato di seguito in questo manuale si riferisce a utensili elettrici alimentati dalla rete (con linea di allacciamento), oltre che ad utensili elettrici alimentati a batteria (senza linea di allacciamento).

1. POSTO DI LAVORO

- a) **Mantenere pulito ed ordinato il posto di lavoro.** *Il disordine e le zone di lavoro non illuminate possono essere fonte di incidenti.*
- b) **Evitare d'impiegare l'utensile in ambienti soggetti al rischio di esplosioni nei quali si trovino liquidi, gas o polveri infiammabili.** *Gli utensili elettrici producono scintille che possono far infiammare la polvere o i gas.*
- c) **Mantenere lontani i bambini ed altre persone durante l'impiego dell'utensile elettrico.** *Eventuali distrazioni potranno comportare la perdita del controllo sull'utensile.*

2. SICUREZZA ELETTRICA

- a) **La spina per la presa di corrente dovrà essere adatta alla presa. Evitare assolutamente di apportare modifiche alla spina. Non impiegare spine adattatrici assieme ad utensili con collegamento a terra.** *Le spine non modificate e le prese adatte allo scopo riducono il rischio di scosse elettriche.*
- b) **Evitare il contatto fisico con superfici collegate a terra, come tubi, riscaldamenti, cucine elettriche e frigoriferi.** *Sussiste un maggior rischio di scosse elettriche nel momento in cui il corpo è messo a massa.*
- c) **Custodire l'utensile al riparo dalla pioggia o dall'umidità.** *L'eventuale infiltrazione di acqua in un utensile elettrico va ad aumentare il rischio d'insorgenza di scosse elettriche.*
- d) **Non usare il cavo per scopi diversi da quelli previsti al fine di trasportare o appendere l'apparecchio, oppure di togliere la spina dalla presa di corrente. Mantenere l'utensile al riparo da fonti di calore, dall'olio, dagli spigoli da parti di strumenti in movimento.** *I cavi danneggiati o aggrovigliati aumentano il rischio d'insorgenza di scosse elettriche.*

- e) **Qualora si voglia usare l'utensile all'aperto, impiegare solo ed esclusivamente cavi di prolunga omologati per l'impiego all'esterno.** *L'uso di un cavo di prolunga omologato per l'impiego all'esterno riduce il rischio d'insorgenza di scosse elettriche.*
- f) **Se si deve utilizzare l'utensile a motore in un luogo umido, utilizzare una fonte di alimentazione con protezione a corrente residua.** *L'uso di un dispositivo a corrente residua riduce il rischio di folgorazioni elettriche.*

3. SICUREZZA DELLE PERSONE

- a) **È importante concentrarsi su ciò che si sta facendo e a maneggiare con giudizio l'utensile elettrico durante le operazioni di lavoro. Non utilizzare l'utensile in caso di stanchezza o sotto l'effetto di droghe, bevande alcoliche e medicinali.** *Un attimo di distrazione durante l'uso dell'utensile potrà causare lesioni gravi.*
- b) **Indossare sempre equipaggiamento protettivo individuale, nonché guanti protettivi.** *Se si avrà cura d'indossare equipaggiamento protettivo individuale come la maschera antipolvere, la calzatura antidrucciolevole di sicurezza, il casco protettivo o la protezione dell'udito, a seconda dell'impiego previsto per l'utensile elettrico, si potrà ridurre il rischio di ferite.*
- c) **Evitare avviamenti involontari. Controllare che l'interruttore sia nella posizione off prima di effettuare il collegamento a una sorgente di alimentazione/batteria, e prima di sollevare o trasportare l'utensile.** *Il fatto di tenere il dito sopra all'interruttore o di collegare l'utensile acceso all'alimentazione di corrente potrà essere causa di incidenti.*
- d) **Togliere gli attrezzi di regolazione o la chiave inglese prima di accendere l'utensile.** *Un utensile o una chiave inglese che si trovino in una parte di strumento in rotazione potranno causare lesioni.*
- e) **È importante non sovrappalutarsi. Avere curadi mettersi in posizione sicura e di mantenere l'equilibrio.** *In tale maniera sarà possibile controllare meglio l'apparecchio in situazioni inaspettate.*
- f) **Indossare vestiti adeguati. Evitare di indossare vestiti lenti o gioielli.** *Tenere i capelli, i vestiti ed i guanti lontani da pezzi in movimento. Vestiti lenti, gioielli o capelli lunghi potranno impigliarsi in pezzi in movimento.*
- g) **Se sussiste la possibilità di montare dispositivi di aspirazione o di captazione della polvere, assicurarsi che gli stessi siano stati installati correttamente e vengano utilizzati senza errori.** *L'impiego dei suddetti dispositivi diminuisce il pericolo rappresentato dalla polvere.*
- h) **Non lasciare che la familiarità acquisita con l'utilizzo frequente dell'elettro utensile si trasformi in autocompiacimento e trascuratezza dei principi di sicurezza.** *Un'azione imprudente può causare lesioni gravi entro una frazione di secondo.*

4. Maneggio ed impiego accurato di utensili elettrici

- a) **Non sovraccaricare l'utensile. Impiegare l'utensile elettrico adatto per sbrigare il lavoro.** *Utilizzando l'utensile elettrico adatto si potrà lavorare meglio e con*

maggior sicurezza nell'ambito della gamma di potenza indicata.

- b) **Non utilizzare utensili elettrici con interruttori difettosi.** Un utensile elettrico che non si può più accendere o spegnere è pericoloso e dovrà essere riparato.
- c) **Scollegare la spina dalla sorgente di alimentazione e/o la batteria dall'utensile prima di effettuare regolazione, cambiare accessori, o riporre gli utensili a motore.** Tale precauzione eviterà che l'apparecchio possa essere messo in funzione inavvertitamente.
- d) **Custodire gli utensili elettrici non utilizzati al di fuori della portata dei bambini. Non fare usare l'apparecchio a persone che non sono abituate ad usarlo o che non abbiano letto le presenti istruzioni.** Gli utensili elettrici sono pericolosi se utilizzati da persone inesperte.
- e) **Effettuare accuratamente la manutenzione dell'apparecchio.** Verificare che le parti mobili dello strumento funzionino perfettamente e non s'inceppino, che non ci siano pezzi rotti o danneggiati al punto tale da limitare la funzione dell'apparecchio stesso. Far riparare le parti danneggiate prima d'impiegare l'apparecchio. Numerosi incidenti vengono causati da utensili elettrici la cui manutenzione è stata effettuata poco accuratamente.
- f) **Mantenere affilati e puliti gli utensili da taglio.** Gli utensili da taglio curati con particolare attenzione e con taglienti affilati s'inceppano meno frequentemente e sono più facili da condurre.
- g) **Utilizzare utensili elettrici, accessori, attrezzi, ecc.** in conformità con le presenti istruzioni e secondo quanto previsto per questo tipo specifico di apparecchio. Osservare le condizioni di lavoro ed il lavoro da eseguirsi durante l'impiego. L'impiego di utensili elettrici per usi diversi da quelli consentiti potrà dar luogo a situazioni di pericolo.
- h) **Mantenere le impugnature e le superfici di presa asciutte, pulite e prive di olio e grasso.** Le impugnature e le superfici di presa scivolose non permettono l'uso e il controllo sicuri dell'elettro utensile in situazioni impreviste.

5. MANEGGIO ED IMPIEGO ACCURATO DI ACCUMULATORI

- a) **Caricare l'accumulatore solo ed esclusivamente nei dispositivi di carica consigliati dal produttore.** Per un dispositivo di carica previsto per un determinato tipo di accumulatore, sussiste pericolo di incendio, se utilizzato con un accumulatore di tipo diverso.
- b) **Utilizzare negli utensili elettrici solo ed esclusivamente gli accumulatori previsti allo scopo.** L'uso di accumulatori di tipo diverso potrà dare insofferenza a lesioni e comportare il rischio d'incendi.
- c) **Tenere l'accumulatore non utilizzato lontano da graffette, monete, chiavi, chiodi, viti o da altri oggetti in metallo di piccole dimensioni che potrebbero causare un ponte tra i contatti.** Un eventuale corto circuito tra i contatti dell'accumulatore potrà dare origine a bruciature o ad incendi.
- d) **In caso di impiego sbagliato, potranno insorgere fuoriuscite di liquido dall'accumulatore. Evitarne il**

contatto. In caso di contatto casuale, sciacquare con acqua. Qualora il liquido dovesse entrare in contatto con gli occhi, chiedere immediato consiglio al medico. Il liquido fuoriuscito dall'accumulatore potrà causare irritazioni cutanee o bruciature.

- e) **Non utilizzare una batteria o un elettro utensile danneggiati o modificati.** Le batterie danneggiate o modificate potrebbero manifestare un comportamento imprevedibile con la possibilità di causare un'esplosione o un incendio.
- f) **Non esporre una batteria o un utensile al fuoco o a temperature elevate.** L'esposizione al fuoco o a una temperatura superiore a 130°C potrebbe provocare un'esplosione.
- g) **Seguire tutte le istruzioni per la carica e non caricare la batteria o l'elettro utensile a una temperatura che non rientri nell'intervallo di valori specificato nelle istruzioni.** Una ricarica effettuata in maniera scorretta o a una temperatura che non rientra nell'intervallo di valori specificato, potrebbe danneggiare la batteria aumentando il rischio d'incendio.

6. ASSISTENZA

- a) **Fare riparare l'apparecchio solo ed esclusivamente da personale specializzato e solo impiegando pezzi di ricambio originali.** In tale maniera potrà essere salvaguardata la sicurezza dell'apparecchio.
- b) **Non riparare le batterie danneggiate.** Gli interventi di riparazione sulle batterie devono essere eseguiti dal costruttore o da fornitori di assistenza autorizzati.


NORME DI SICUREZZA SUPPLEMENTARI RELATIVE ALL'USO DEL TAGLIASIEPIA BATTERIA

- a) **Tenere tutte le parti del corpo distanti dalla lama di taglio. Non rimuovere il materiale tagliato e non tenere il materiale da tagliare quando le lame sono in movimento.** Le lame continuano a girare dopo lo spegnimento. È sufficiente un momento di disattenzione nell'uso del tosasiepi per provocare gravi lesioni personali.
- b) **Trasportare il tosasiepi prendendolo dall'impugnatura con la lama di taglio ferma e assicurandosi di non azionare l'interruttore di alimentazione.** Se il tosasiepi viene maneggiato in modo corretto, si riducono le possibilità di lesioni causate dalle lame di taglio.
- c) **Durante il trasporto o la conservazione del tosasiepi, reinserire sempre il coprilama.** La gestione corretta del tosasiepi ridurrà il pericolo di lesioni personali dovute alle lame.
- d) **Durante la rimozione del materiale incastrato o per la manutenzione dell'unità, assicurarsi che tutti gli interruttori siano spenti e che il pacco batteria sia stato rimosso e scollegato.** L'azionamento involontario del tosasiepi durante la rimozione di materiale incastrato o la manutenzione può provocare gravi lesioni personali.

- e) Afferrare lo strumento per le apposite maniglie quando si eseguono operazioni durante le quali l'attrezzo potrebbe entrare in contatto con cavi nascosti. Il contatto con cavi elettrici in tensione espone l'operatore al rischio di scosse elettriche.
- f) Tenere tutti i fili e i cavi di alimentazione lontani dall'area di taglio. I fili o i cavi di alimentazione potrebbero rimanere nascosti nelle siepi o nei cespugli e di conseguenza venire tagliati accidentalmente dalla lama.
- g) Evitare di usare il tosasiepi in condizioni di maltempo, in particolare quando sussiste il pericolo di fulmini. Ciò ridurrà il pericolo di venire colpiti da un fulmine.
- h) Controllare il cespuglio per la presenza di oggetti estranei, per esempio recinzioni metalliche e cavi nascosti.
- i) Tenere il tosasiepi in modo corretto, ossia con entrambe le mani sulle due impugnature, se presenti.
- j) Il tosasiepi è destinato ad essere usato dall'utente a livello del suolo e non su scale o qualsiasi altro supporto instabile.
- k) Prima di utilizzare il tosasiepi, l'utente deve assicurarsi che il/i dispositivo/i di bloccaggio di tutti gli elementi mobili (ad esempio l'albero esteso e l'elemento rotante), se presenti, siano in posizione di blocco.

- j) Dopo lunghi periodi di conservazione, potrebbe essere necessario caricare e scaricare le cellule o il pacco batteria diverse volte per ottenere le massime prestazioni.
- k) Ricaricare solo con il caricatore specificato da Kress. Non utilizzare caricatori diversi da quelli forniti per l'uso specifico con l'apparecchiatura.
- l) Non utilizzare un pacco batteria non progettato per l'uso con l'apparecchiatura.
- m) Tenere il pacco batteria fuori dalla portata dei bambini.
- n) Conservare i documenti originali del prodotto per riferimenti futuri.
- o) Rimuovere la batteria dall'apparecchiatura, se non in uso.
- p) Smaltire adeguatamente.
- q) Non mischiare batterie di diverse marche, capacità, dimensioni o tipologia nello stesso dispositivo.
- r) Tenere la batteria lontano da microonde e alta pressione.

SIMBOLI

	Per ridurre il rischio di lesioni, l'utente deve leggere il manuale di istruzioni
	Attenzione
	Indossare protezione per le orecchie.
	Indossare protezione per gli occhi.
	Indossare una mascherina antipolvere.
	Non esporre alla pioggia o all'acqua.
	Le batterie potrebbero entrare nel ciclo dell'acqua se non siano smaltite in modo inappropriato, il che può essere pericoloso per l'ecosistema. Non smaltire le batterie usate come rifiuti urbani non differenziati.

ISTRUZIONI PER LA SICUREZZA DEL PACCO BATTERIA

- a) Non smontare, aprire o strappare le cellule secondarie o il pacco batteria.
- b) Non cortocircuitare un pacco batteria. Non conservare un pacco batteria disordinatamente in una scatola o un cassetto in cui potrebbero cortocircuitarsi tra essi o essere cortocircuitati da altri oggetti metallici. Quando il pacco batteria non è in uso, tenerlo lontano da altri oggetti metallici come graffette, monete, chiavi, chiodi, viti e altri piccoli oggetti metallici, potrebbe averarsi un collegamento tra i due terminali. Collegare i terminali della batteria potrebbe causare incendi o ustioni.
- c) Non esporre il pacco batteria a calore o fuoco. Evitare di conservarli alla luce diretta del sole.
- d) Non sottoporre il pacco batteria a scosse meccaniche.
- e) In caso di perdite da una cellula, evitare che il liquido entri in contatto con la pelle o gli occhi. In caso di contatto, lavare l'area interessata con abbondante acqua e consultare un medico.
- f) Tenere le cellule e il pacco batteria puliti e asciutti.
- g) Pulire i terminali delle cellule e del pacco batteria con un panno pulito e asciutto nel caso in cui si sporchino.
- h) Il pacco batteria deve essere caricato prima dell'uso. Utilizzare sempre il caricatore corretto e consultare le istruzioni.
- i) Non lasciare un pacco batteria in carica se non in uso.

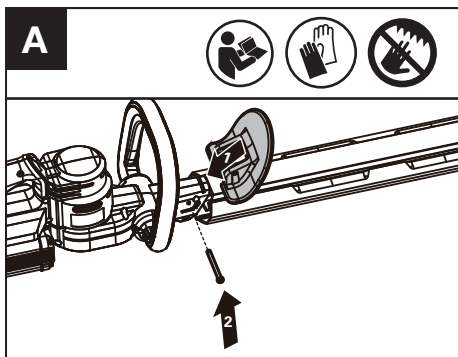
	Non bruciare.
	Indossare guanti protettivi
	Tenere lontane le mani
	Togliere la batteria prima di effettuare qualsiasi regolazione, manutenzione o riparazione.
 Li-Ion 	<p>Batteria agli ioni di litio Questo prodotto è contrassegnato da un simbolo relativo alla "raccolta separata" per tutti i pacchi batteria e il pacco batteria. Quindi, sarà riciclata o smantellata per ridurre l'impatto sull'ambiente. I pacchi batteria possono essere pericolosi per l'ambiente e per la salute umana poiché contengono sostanze pericolose.</p>
 	<p>I prodotti elettrici non possono essere gettati tra i rifiuti domestici. L'apparecchio da rottamare deve essere portato al centro di riciclaggio per un corretto trattamento. Controllare con le autorità locali o con il rivenditore per localizzare il centro di riciclaggio più vicino.</p>

MONTAGGIO E FUNZIONAMENTO

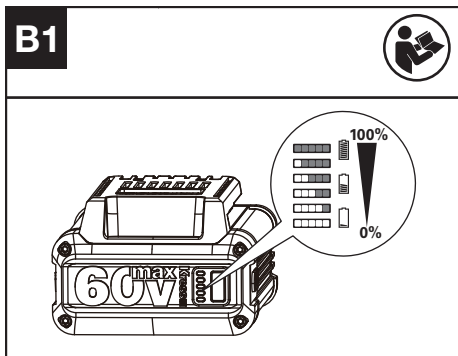
Nota: Leggere scrupolosamente il manuale delle istruzioni prima di usare l'attrezzo.

Montaggio della protezione(Vedi Fig. A)

Fissare la protezione di sicurezza sul tosasiepi mediante la vite.



Controllo dello stato di carica della batteria (Vedi Fig. B1)



NOTA: la Fig. B1 si riferisce solamente alla batteria con indicatore luminoso.

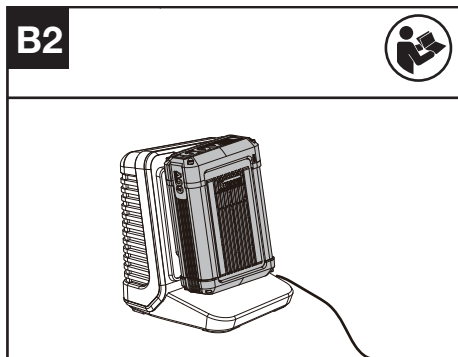
Il livello di carica delle batterie può essere controllato tramite l'apposito indicatore premendo il pulsante a fianco delle rispettive spie. Prima dell'avvio e dell'uso premere il pulsante accanto all'indicatore del livello di carica delle batterie sulla sega per verificare la loro capacità.

Indicazioni	Luce LED	Stato della batteria
Sono accese cinque luci verdi.		70% ≤ Livello di carica

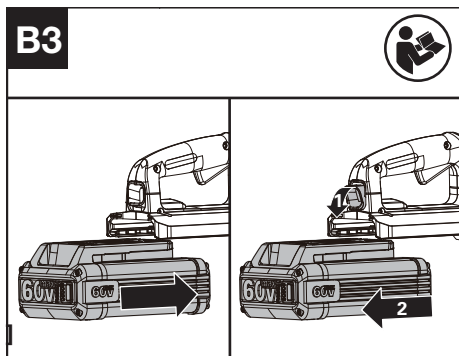
Sono accese quattro luci verdi.		50% ≤ Livello di carica < 70%
Sono accese tre luci verdi.		35% ≤ Livello di carica < 50%
Sono accese due luci verdi.		20% ≤ Livello di carica < 35%
È accesa una sola luce verde.		20% ≤ Livello di carica < 10%
Tutte le luci sono spente.		Livello di carica < 10%

Caricamento del pacco batteria (Vedi Fig. B2)

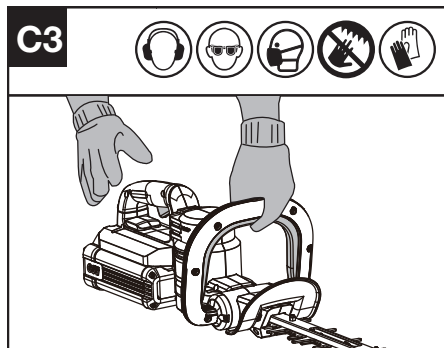
- Il pacco batteria è parzialmente carico e deve essere ricaricato completamente prima del primo utilizzo.
- È possibile trovare maggiori dettagli nel manuale del caricatore.



Rimozione E Installazione Dell'Unità Batteria (Vedi Fig. B3)



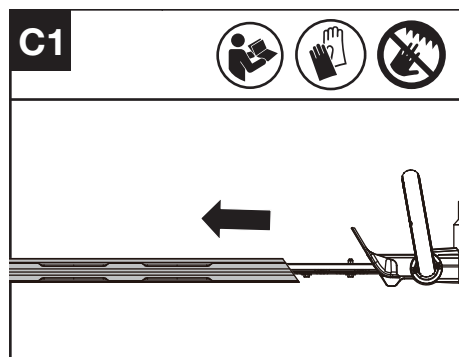
Rilasciare il grilletto e l'interruttore di presenza dell'operatore per fermarsi. (Vedi Fig. C3)



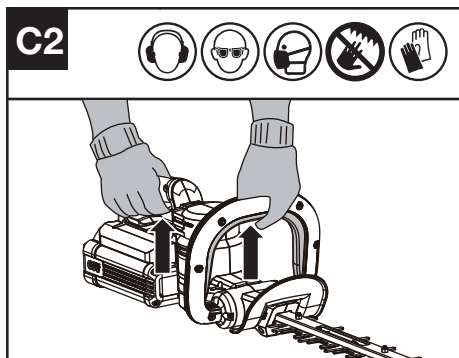
FUNZIONAMENTO

Azionamento e arresto

Prima dell'uso, rimuovere il fodero della lama. (Vedi Fig. C1)



Premere l'interruttore di presenza dell'operatore e il grilletto dell'acceleratore per avviare il motore. (Vedi Fig. C2)



Quando l'apparecchio non è in uso, spegnere il taglia siepi e rimuovere la batteria.

Come utilizzare il taglia siepi

Prima di tagliare una zona, ispezionarla e rimuovere tutti gli oggetti estranei che possono essere lanciati o impigliarsi nelle lame. Tenere sempre il taglia siepe con entrambe le mani e indirizzare la lama lontano da sé prima di accendere l'attrezzo.

Iniziare a tagliare quando il motore ha raggiunto la velocità di regime. Utilizzare l'apparecchio lontano da persone e corpi solidi come muro, grosse pietre, automobili, ecc.

Consentire alle lame di raggiungere la massima velocità prima di tagliare. Durante l'uso tenere le lame di taglio lontane dalle persone e da oggetti come pareti, grosse pietre, alberi, veicoli, eccetera. Se la lama va in stallo, spegnere immediatamente il taglia siepi.

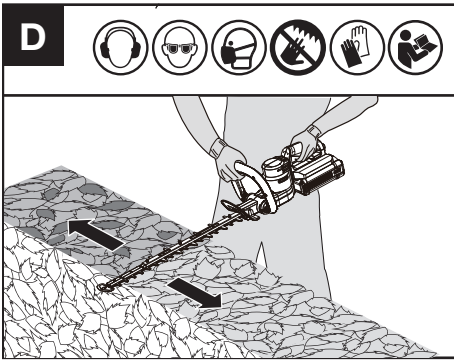
Rilasciare il grilletto dell'acceleratore e l'interruttore di presenza dell'operatore prima di tentare di rimuovere i detriti inceppati dalle lame di taglio. Indossare guanti da lavoro quando si tagliano crescita pungenti o spinose.

Non tentare di tagliare steli troppo spessi per la lama di taglio.

Taglio orizzontale superiore (Vedi Fig. D)

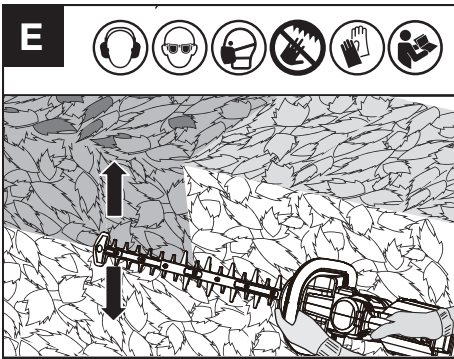
Usare ampi movimenti laterali sinistra e destra. Una leggera inclinazione della lama verso il basso, nella direzione di taglio, permetterà migliori risultati.

! AVVERTENZA: Qualora vi fossero parti mancanti, danneggiate o rotte, non utilizzare il taglia siepi finché tutte le parti danneggiate non saranno sostituite o riparate. In caso contrario potrebbero verificarsi lesioni personali gravi. **NON USARE L'APPARECCHIO SENZA AVER MONTATO LA PROTEZIONE E L'IMPUGNATURA ANTERIORE.**



Taglio frontale e laterale (Vedi Fig. E)

Quando si procede al taglio frontale e laterale, cominciare sempre dal basso verso l'alto arrotondando il lato della siepe. Questa forma esporrà al sole più superficie della siepe e quindi permetterà una crescita uniforme della stessa.



Per gli utensili a batteria

La temperatura ambientale d'uso e conservazione dell'elettro utensile e della batteria è di 0-45 °C (32 °F-113 °F).

La temperatura ambientale raccomandata per il caricabatterie durante la ricarica è di 0-40 °C (32 °F-104 °F).

TRASPORTO

Trasporto del taglia siepi

1. Spegnerne il taglia siepi e rimuovere la batteria.
2. Quando si trasporta il trimmer a mano, tenere il centro dell'albero per assicurarsi che l'apparecchio sia parallelo al suolo.
3. Quando si trasporta il taglia siepi in un veicolo, fissarlo e posizionarlo in modo da evitare spostamenti o danni.

Trasporto della batteria

1. Assicurarsi che la batteria sia in condizioni di

sicurezza.

2. Per il trasporto della batteria, utilizzare un imballaggio non conduttivo.
3. Le batterie agli ioni di litio contenute sono soggette ai requisiti della legislazione sulle merci pericolose. Trasportare le batterie solo se il loro alloggiamento non è danneggiato. Posizionare le batterie in modo tale che non possano muoversi all'interno dell'imballaggio.

MANUTENZIONE

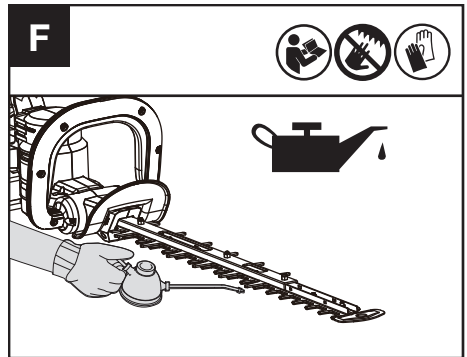
Togliere la batteria prima di effettuare qualsiasi regolazione, manutenzione o riparazione.

All'interno dell'attrezzo non ci sono parti riparabili da parte dell'utente. Non usare mai acqua o detergenti chimici per pulire l'attrezzo. Pulire con un panno asciutto. Immagazzinare sempre gli attrezzi elettrici in luoghi asciutti. Tenere pulite le aperture di ventilazione del motore. Tenere puliti dalla polvere tutti i controlli operativi.

Lubrificazione

Lubrificare la lama (Vedi Fig. F)

NOTA: Per evitare danni alla lama è importante utilizzare esclusivamente l'olio lubrificante standard raccomandato (WD-40).



AFFILATURA



AVVERTENZA: Evitare di utilizzare l'apparecchio se presenta lame da taglio smussate o danneggiate, in quanto ciò comporterebbe un sovraccarico e prestazioni indesiderate.

Quando le prestazioni di taglio iniziano a diminuire, far riaffilare la lama da un professionista. Indossare sempre guanti protettivi quando si maneggia la lama del taglia siepi e affilare solo il bordo di taglio. Affilare solo il bordo di taglio. Evitare di levigare le parti sporgenti smussate della lama di taglio o della sua protezione. Utilizzare una cote per rimuovere le sbavature dal bordo di taglio. Dopo l'affilatura, rimuovere la polvere dalla lama.

PULIZIA

1. Spegner il tagliaerba e rimuovere la batteria.
2. Non utilizzare detergenti o solventi aggressivi. Pulire l'apparecchio dopo l'uso con un panno umido immerso in un detergente neutro.
3. Mantenere il collegamento della batteria libero da sporcizia e detriti e pulirlo con una spazzola o un panno morbido e asciutto.
4. Non spruzzare acqua sul motore e sui componenti elettrici.
5. Non usare l'idropulitrice per pulire l'apparecchio.

CONSERVAZIONE




ATTENZIONE: Rimuovere il gruppo batteria. Indossare guanti protettivi durante le operazioni di regolazione, assistenza e manutenzione. Non inserire le mani o le dita tra le lame per evitare di rimanere schiacciati o tagliati.

1. Prima di riporre il tagliaerba, posizionare sempre la guaina sulla lama. Non toccare i dentini affilati della lama.
2. Tenerli lontano da agenti corrosivi.
3. Pulire le lame di taglio dopo l'uso.
4. Riporre l'apparecchio in un luogo asciutto, fuori dalla portata dei bambini e di altre persone non autorizzate.

DATI TECNICI

Tipo **KG262 KG262.X** (250-299- designazione del macchinario rappresentativo del taglia siepi)

	KG262 KG262.X **
Tensione	60 V  Max ***
Velocità a vuoto	3400 /min
Lunghezza della lama	64 cm (25")
Ampiezza di taglio	61 cm (24")
Spaziatura dei denti	34 mm (1.3")
Diametro massimo di taglio	27 mm (1")
Peso dell'apparecchio (Utensile nudo)	3.03 kg (6.68 lbs)

** X = 1-999, A-Z, M1-M9 solo per clienti diversi, non ci sono cambiamenti rilevanti sicuri tra questi modelli.

*** Voltaggio misurato senza carico. Il voltaggio iniziale della batteria raggiunge un massimo di 60 volt. Il voltaggio nominale è di 54 volt.

BATTERIE E CARICABATTERIE CONSIGLIATI

Categoria	Modello	Capacità
60V Batteria	KA3001	2.5 Ah
60V Caricabatteria	KA3713	3.0 A

Si raccomanda di acquistare tutti gli accessori nello stesso negozio in cui è stato acquistato l'attrezzo. Fare riferimento alla confezione dell'accessorio per altri dettagli. Il personale del negozio può aiutarvi e consigliarvi.

INFORMAZIONI SUL RUMORE

Pressione acustica ponderata
A

L_{pA} : 85.12 dB(A)
 K_{DA} = 3 dB(A)

Potenza acustica ponderata
A

L_{wA} : 96.12 dB(A)
 K_{wA} = 3 dB(A)

Indossare protezione per le orecchie.




INFORMAZIONI SULLA VIBRAZIONE

I valori totali di vibrazione sono determinati secondo lo standard EN 62841:

Valore emissione vibrazioni: $a_n = 2.16 \text{ m/s}^2$

Incertezza K = 1.5 m/s^2

 Il valore totale di emissione di vibrazioni dichiarato e il valore di emissioni sonore dichiarati sono stati misurati in base a un metodo di collaudo standard e possono essere utilizzati per il confronto di un utensile con un altro.

Il valore totale di emissione di vibrazioni dichiarato e il valore di emissioni sonore dichiarato possono anche essere utilizzati in una valutazione preliminare dell'esposizione.



AVVERTENZA: le emissioni di vibrazioni e sonore durante l'uso effettivo dell'elettroutensile possono differire dal valore dichiarato in base alle modalità con cui esso viene utilizzato. In particolare quale tipo di pezzo viene lavorato dipende dai seguenti fattori e da altre variazioni sulle modalità di utilizzo dell'elettroutensile:

Come viene usato l'elettroutensile e quali sono i materiali tagliati o forati.

Le condizioni e la buona manutenzione dell'elettroutensile.

L'uso dell'accessorio corretto per il taglio e la sua affilatura, nonché le sue buone condizioni.

La tenuta della presa sulle impugnature e se vengono utilizzati eventuali accessori antivibrazioni e anturumore.

L'adeguatezza dell'utilizzo dell'elettroutensile rispetto a quanto previsto.

Questo elettroutensile potrebbe causare l'insorgenza della sindrome della vibrazione dell'avambraccio se il suo utilizzo non viene gestito correttamente.



AVVERTENZA: per essere precisi, una stima del livello di esposizione nelle attuali condizioni di utilizzo dovrebbe anche tenere conto di tutte le parti del ciclo operativo, come le volte in cui lo strumento viene spento e il tempo in cui viene lasciato girare a vuoto senza realmente fare il suo lavoro. Questo potrebbe ridurre significativamente il livello di esposizione sul periodo di lavoro totale.

Aiuto a minimizzare il rischio di esposizione alle vibrazioni e al rumore.

Usare sempre scalpelli, trapani e lame affilati.

Conservare questo elettroutensile sempre in conformità a queste istruzioni e mantenerlo ben lubrificato (dove appropriato).

Se l'utensile deve essere utilizzato regolarmente, investire in accessori antivibrazioni e antirumore.

Pianificare il lavoro in modo da suddividere i lavori che implicano le maggiori vibrazioni nell'arco di più giorni.

TUTELA AMBIENTALE



I prodotti elettrici non possono essere gettati tra i rifiuti domestici. L'apparecchio da rottamare deve essere portato al centro di riciclaggio per un corretto trattamento. Controllare con le autorità locali o con il rivenditore per localizzare il centro di riciclaggio più vicino.

DICHIARAZIONE DI CONFORMITÀ

Noi,
Positec Germany GmbH
Postfach 32 02 16, 50796 Cologne, Germany

A nome di Positec si dichiara che il prodotto
Descrizione **Tosasiepi a batteria**
Codice **KG262 KG262.X (250-299 - designazione del macchinario rappresentativo della Taglia siepe)**
Funzione **L'utensile è previsto per tagliare e tosare siepi ecespugli del Vostro giardino.**

È conforme alle seguenti direttive,
2006/42/EC
2014/30/EU
2011/65/EU&(EU)2015/863
2000/14/EC modificata dalla 2005/88/EC

2000/14/EC modificata dalla 2005/88/EC:
- Procedura di conformità come da **Annex V**
- Potenza acustica pesata **96.12 dB(A)**
- Massima potenza di rumore garantita **97 dB(A)**

conforme a,
EN 62841-1
EN 62841-4-2
EN ISO 3744
EN IEC 55014-1
EN IEC 55014-2
EN IEC 63000

Il responsabile autorizzato alla compilazione della documentazione tecnica,

Nome: Marcel Filz
Indirizzo: Positec Germany GmbH
Postfach 32 02 16, 50796 Cologne, Germany



2023/09/06
Allen Ding
DVice capo ingegnere, testing e certificazione
Positec Technology (China) Co., Ltd
18, Dongwang Road, Suzhou Industrial
Park, Jiangsu 215123, P. R. China

ÍNDICE

Introducción.....	48
Lista De Componentes.....	49
Seguridad Del Producto.....	50
Montaje Y Funcionamiento.....	54
Trasporte.....	56
Mantenimiento.....	56
Limpieza.....	57
Almacenamiento.....	57
Datos Técnicos.....	58
Protection Ambiental.....	59
<hr/> ES Declaración De Conformidad.....	59

INTRODUCCIÓN

Estimado cliente:

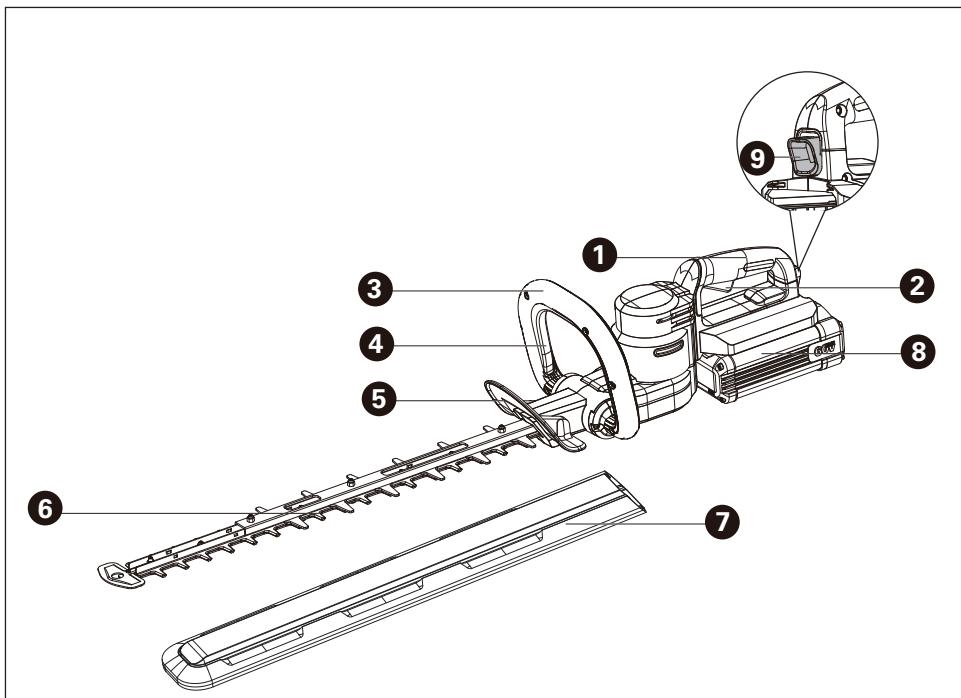
Gracias por comprar este producto Kress. Nos dedicamos a desarrollar productos de alta calidad para satisfacer sus necesidades de jardinería.

La marca Kress es sinónimo de servicio de calidad suprema. Durante la vida de nuestros productos, si le surgen preguntas o preocupaciones sobre su producto, póngase en contacto con el lugar de compra o con nuestro Equipo de Atención al Cliente para obtener ayuda.

Confiamos en que, en los años venideros, disfrute trabajando con su producto Kress.

UTILIZACIÓN REGLAMENTARIA

La máquina está pensada para cortar y recortar setos y arbustos para uso residencial o comercial ligero.



ES

LISTA DE COMPONENTES

- | | |
|----|---|
| 1. | ASIDERO TRASERO |
| 2. | GATILLO DE ACELERADOR |
| 3. | EMPUÑADURA DELANTERA |
| 4. | INTERRUPTOR DE PRESENCIA DE OPERARIO (CIRCULAR) |
| 5. | PROTECCIÓN |
| 6. | CUCHILLA |
| 7. | FUNDA PROTECTORA DE CUCHILLA |
| 8. | BATERÍA * |
| 9. | BOTÓN DE LIBERACIÓN DE BATERÍA |

* Los accesorios ilustrados o descritos pueden no corresponder al material suministrado de serie con el aparato.

MANUAL ORIGINAL

SEGURIDAD DEL PRODUCTO

ADVERTENCIA DE SEGURIDAD GENERALES SOBRE HERRAMIENTAS ELÉCTRICAS



ADVERTENCIA: Lea todas las advertencias de seguridad, instrucciones, ilustraciones y especificaciones que acompañan a esta herramienta eléctrica. Si no se respetan todas las instrucciones que se indican abajo, podría producirse una descarga eléctrica, un incendio o alguien podría resultar herido de gravedad.

Conserve todas las advertencias e instrucciones para futuras consultas.

El término "herramienta eléctrica" en todas las advertencias siguientes corresponde a la herramienta eléctrica con o sin cable.

1. ZONA DE TRABAJO

- a) **Mantener su lugar de trabajo limpio y bien iluminado.** Bancos de trabajo desordenados y lugares oscuros invitan a los accidentes.
- b) **No utilizar herramientas eléctricas en atmósferas explosivas, como por ejemplo en presencia de líquidos inflamables, gases o polvo.** Las herramientas eléctricas crean chispas que pueden encender el polvo o los vapores.
- c) **Mantener alejados a los niños y visitantes mientras opera una herramienta eléctrica.** Las distracciones pueden hacerle perder el control.

2. SEGURIDAD ELÉCTRICA

- a) **Los enchufes de la herramienta eléctrica deben encajar perfectamente en el tomacorriente.** Nunca modificar el enchufe de ninguna manera. No utilizar adaptadores con herramientas eléctricas conectadas a tierra. Los enchufes no modificados y los que encajan perfectamente en el tomacorriente reducirán el riesgo de descarga eléctrica.
- b) **Evitar el contacto del cuerpo con superficies conectadas a tierra tales como caños, radiadores, cocinas y heladeras.** Existe un riesgo creciente de descarga eléctrica si su cuerpo queda conectado a tierra.
- c) **No exponer las herramientas eléctricas a la lluvia y no guardar en lugares húmedos.** El agua que penetra en ellas aumentará el riesgo de una descarga eléctrica.
- d) **No abusar del cable.** Nunca utilizar el cable para transportar, tirar o desencharfar la herramienta eléctrica. Mantener el cable alejado del calor, del aceite, de bordes agudos o piezas móviles. Los cables dañados o enredados aumentan el riesgo de descarga eléctrica.

- e) **Cuando utilice su herramienta eléctrica al aire libre, emplear un prolongador apto para uso en exteriores.** El empleo de cables para uso al aire libre reduce el riesgo de descarga eléctrica.
- f) **Si es necesario utilizar la herramienta motorizada en un lugar muy húmedo, utilice una fuente de alimentación con dispositivo de corriente residual (RCD).** El uso de un RCD reduce el riesgo de descarga eléctrica.

3. SEGURIDAD PERSONAL

- a) **Mantenerse alerta, poner atención en lo que está haciendo y utilice el sentido común mientras opera una herramienta eléctrica.** No emplear la herramienta cuando se encuentre cansado o bajo la influencia de drogas, alcohol o medicación. Un momento de falta de atención durante el manejo de herramientas eléctricas puede dar lugar a daños corporales serios.
 - b) **Utilizar equipo de seguridad.** Usar siempre protección ocular. Equipo de seguridad como máscaras contra el polvo, zapatos antideslizantes de seguridad, sombrero o protección auditiva para condiciones apropiadas reducirá daños corporales.
 - c) **Evite el arranque accidental.** Asegúrese de que el interruptor se encuentra desactivado antes de enchufar la máquina o colocar la batería, al tomar la herramienta o transportarla. Transportar herramientas con el dedo en el interruptor o enchufar la herramienta cuando el interruptor está encendido invitan a los accidentes.
 - d) **Retire llaves de ajuste o llaves inglesas antes de poner la herramienta en funcionamiento.** Una llave que queda unida a una pieza móvil de la herramienta puede originar daños corporales.
 - e) **No extralimitarse.** Mantenerse firme y con buen equilibrio en todo momento. Esto permite un mejor control de la herramienta en situaciones inesperadas.
 - f) **Vestirse apropiadamente.** No usar ropa suelta ni alhajas. Mantener su cabello, ropa y guantes alejados de las piezas móviles. La ropa suelta, las alhajas o el cabello largo pueden ser atrapados por las piezas móviles.
 - g) **Si se proporcionan dispositivos para la extracción y recolección de polvo, asegurarse de que estos estén conectados y utilizados correctamente.** El uso de estos dispositivos puede reducir peligros relacionados con el polvo.
 - h) **No permita que el hecho de estar familiarizado con el uso de herramientas le haga volverse descuidado o ignorar las normas de seguridad.** La falta de atención puede provocar heridas graves en una fracción de segundo.
- #### 4. MANTENIMIENTO DE LA HERRAMIENTA MOTORIZADA
- a) **No forzar la herramienta eléctrica.** Utilizar la herramienta eléctrica correcta para su aplicación. La herramienta eléctrica correcta hará el trabajo mejor y más seguro a la velocidad para la cual fue diseñada.
 - b) **No utilizar la herramienta eléctrica si el interruptor no la enciende o apaga.** Cualquier herramienta eléctrica que no pueda ser controlada con el interruptor es peligrosa y debe ser reparada.
 - c) **Desconecte el enchufe de la toma eléctrica y/o la batería de la herramienta antes de realizar**

cualquier ajuste, cambiar un accesorio o guardar la herramienta. *Tales medidas de seguridad preventivas reducen el riesgo de arranque accidental de la herramienta.*

- d) **Mantener las herramientas eléctricas que no usa fuera del alcance de los niños y no permita que personas no familiarizadas con la herramienta o con estas instrucciones maneje la herramienta eléctrica.** *Las herramientas eléctricas son peligrosas en manos de usuarios inexpertos.*
- e) **Revisar las herramientas eléctricas. Comprobar si hay desalineamiento o atascamiento de piezas móviles, rotura de piezas en general y cualquier otra condición que pueda afectar la operación normal de la herramienta. Si se verifican daños, recurra a un service calificado antes de volver a usar la herramienta.** *Las herramientas mal mantenidas causan muchos accidentes.*
- f) **Mantener las piezas de corte limpias y afiladas.** *Puesto que son menos probables de atascarse y más fáciles de controlar.*
- g) **Utilizar la herramienta eléctrica, accesorios y brocas etc., de acuerdo con estas instrucciones y de la manera prevista para el tipo particular de herramienta eléctrica, teniendo en cuenta las condiciones de trabajo y el trabajo a ser realizado.** *El uso de la herramienta eléctrica para otras operaciones distintas de lo previsto podría dar lugar a una situación peligrosa.*
- h) **Mantenga las empuñaduras y las superficies de agarre secas, limpias y sin aceite ni grasa.** *Una empuñadura o una superficie de agarre resbaladiza dificultan la correcta manipulación y el control de la herramienta en situaciones imprevistas.*

5. UTILIZACIÓN Y MANTENIMIENTO DE LA BATERÍA

- a) **Recargar solamente con el cargador indicado por el fabricante.** *Un cargador adaptado a un tipo de batería podría crear un riesgo de incendio si se utiliza con una diferente batería.*
- b) **Utilizar las herramientas eléctricas solamente con baterías especialmente adaptadas.** *La utilización de cualquier otra batería podría causar un riesgo de incendio o herida.*
- c) **Cuando la batería no está en uso, tenerla lejos de los objetos metálicos como los trombones, las piezas de moneda, las llaves, los clavos, los tornillos, o cualquier otro pequeño objeto metálico susceptibles de establecer una conexión de un terminal a otra.** *El cortocircuito de un terminal a otra puede causar quemaduras o un incendio.*
- d) **Hay una fuga de líquido de la batería. Evitar todo contacto. Si entre accidentalmente en contacto con este líquido, lavar con agua limpia. En caso de contacto con los ojos, consultar a un médico.** *El líquido presente en las baterías puede causar irritaciones o quemaduras.*
- e) **No utilice una batería o una herramienta que estén dañadas o hayan sido modificadas.** *Las baterías dañadas y modificadas pueden comportarse de forma imprevisible y provocar un incendio, una explosión o herir a alguien.*
- f) **No arroje una batería o herramienta al fuego ni las exponga a una temperatura excesiva.** *La exposición al fuego y a temperaturas superiores a 130 °C puede*

provocar una explosión.

- g) **Respete todas las instrucciones de carga y no cargue la batería o la herramienta fuera del rango de temperatura especificado en las instrucciones.** *Una carga inadecuada o a una temperatura fuera del rango especificado puede ocasionar daños en la batería y aumentar el riesgo de incendio.*

6. REPARACIÓN

- a) **Permitir que el mantenimiento de su herramienta eléctrica sea efectuado por una persona calificada usando solamente piezas de recambio idénticas.** *Esto es primordial para mantener la seguridad de la herramienta eléctrica.*
- b) **No intente reparar nunca una batería dañada.** *Cualquier intervención técnica en una batería debe ser realizada exclusivamente por el fabricante o por un servicio técnico autorizado.*

NOTAS IMPORTANTES DE SEGURIDAD ADICIONAL PARA SU PODADORA DE SETOS

- a) **Conserve todas las partes del cuerpo alejadas de la cuchilla de corte. No retire el material cortado ni sostenga el material a cortar con las cuchillas en movimiento.** *Las cuchillas siguen moviéndose después de apagar. Un momento de desatención durante el uso de la recortadora podría resultar en una lesión personal seria.*
- b) **Transporte la recortadora por el mango con la cuchilla de corte detenida y teniendo cuidado de no accionar el interruptor de encendido.** *Un manejo adecuado de la recortadora permitirá reducir las posibles lesiones personales relacionadas con las cuchillas de corte.*
- c) **Al trasportar o guardar la recortadora de setos, coloque siempre la cubierta de la cuchilla.** *Un manejo adecuado de la recortadora de setos disminuirá el riesgo de lesiones personales con la cuchillas.*
- d) **Cuando se limpie material atascado o se de servicio a la unidad, asegurarse de que todos los interruptores de encendido estén desactivados y que la cubierta de batería se haya retirado o desconectado.** *Un accionamiento inesperado de la recortadora de setos mientras se despeja material atascado o se da servicio puede tener como resultado lesiones personales graves.*
- e) **Sostenga la herramienta por las empuñaduras aislantes cuando realice una operación donde la herramienta de corte puede entrar en contacto con cableado oculto.** *El contacto con un cable con corriente también hará que las partes expuestas del metal de la herramienta puedan transmitirle una descarga eléctrica.*
- f) **Mantener todos los cables de alimentación alejados de la zona de corte.** *Puede haber cables de alimentación ocultos en setos o arbustos y pueden ser cortados accidentalmente por la cuchilla.*
- g) **No utilizar la recortadora de setos en malas condiciones meteorológicas, especialmente si hay riesgo de tormenta eléctrica.** *Esto disminuye el riesgo de ser alcanzado por un rayo.*












- h) Compruebe si hay objetos extraños en el seto, como p.ej. vallas metálicas y cableado oculto.
- i) Sostenga la recortadora de setos correctamente, p. ej. con ambas manos si se proporcionan dos mangos.
- j) La recortadora de setos está pensada para ser usada por un operario a nivel del suelo, no sobre escaleras ni ningún otro soporte inestable.
- k) Antes de poner a funcionar la recortadora de setos, el usuario debe asegurarse de que el dispositivo de bloqueo de cualquier elemento móvil (p. ej. el vástago extendido y el elemento de pivote), si los hubiera, estén en la posición de bloqueo.

- t) No se deben mezclar pilas de diferentes fabricantes, capacidad, tamaño o tipo en un mismo dispositivo.
- r) Mantener la batería lejos de microondas y alta presión.

ADVERTENCIAS DE SEGURIDAD PARA LA BATERÍA

- a) No desmonte, abra o destruya las pilas o las baterías recargables.
- b) No provoque un cortocircuito en la batería. No almacene las baterías de forma descuidada en una caja o cajón donde podría provocar un cortocircuito entre ellas o mediante otros objetos metálicos. Cuando la batería no esté siendo utilizada, manténgala alejada de objetos metálicos, como clips de papel, monedas, llaves, clavos, tornillos u otros objetos metálicos pequeños, que pueden posibilitar la conexión de un borne con otro. Al provocar un cortocircuito con los bornes de la batería se pueden sufrir quemaduras o generar un incendio.
- c) No exponga las baterías al calor o al fuego. No las guarde expuestas directamente al sol.
- d) No exponga las baterías a impactos mecánicos.
- e) En caso de que la batería tenga fugas de líquido, no permita que el líquido entre en contacto con la piel o los ojos. Si se produce el contacto, lave la zona afectada con grandes cantidades de agua y acuda a un médico.
- g) Mantenga las baterías limpias y secas.
- h) Limpie los bornes de la batería con un paño limpio si se ensucian.
- i) Cargue la batería antes de utilizarla. Consulte siempre estas instrucciones y aplique el procedimiento de carga adecuado.
- j) No deje la batería cargándose durante prolongados períodos de tiempo cuando no se utilice.
- k) Después de prolongados períodos de almacenamiento, puede que sea necesario cargar y descargar la batería varias veces para obtener el máximo rendimiento.
- n) Recargue solo con el cargador indicado por Kress. No utilice ningún otro cargador que no sea el específicamente proporcionado para el uso con este equipo.
- o) No utilice ninguna batería distinta a la diseñada para utilizarse con el aparato.
- p) Mantenga la batería fuera del alcance de los niños.
- q) Conserve la documentación original del producto por si tuviera que consultarla en otro momento.
- r) Extraiga la batería del aparato cuando no lo utilice.
- s) Deshágase del producto correctamente.

SÍMBOLOS

	Para reducir el riesgo de lesión, lea el manual de instrucciones
	Advertencia
	Utilice protección auditiva
	Utilizar protección ocular
	Utilizar una máscara antipolvo
	Evite cualquier exposición a la lluvia
	Las baterías pueden entrar en el ciclo del agua si se desechan incorrectamente, lo que puede ser peligroso para el ecosistema. No deseche las baterías usadas como residuos municipales sin clasificar.
	No incinerar
	Utilizar guantes de protección
	Mantenga las manos alejadas
	Quite la batería antes de llevar a cabo cualquier ajuste o tarea de reparación o mantenimiento.



Li-Ion




Batería de ión de litio. Este producto se ha marcado con un símbolo relacionado con la "colección separada" para todos los paquetes de baterías y paquetes de baterías. Luego se reciclará o desmontará para reducir el impacto en el medio ambiente. Los paquetes de baterías pueden ser peligrosos para el medio ambiente y para la salud humana, ya que contienen sustancias peligrosas.



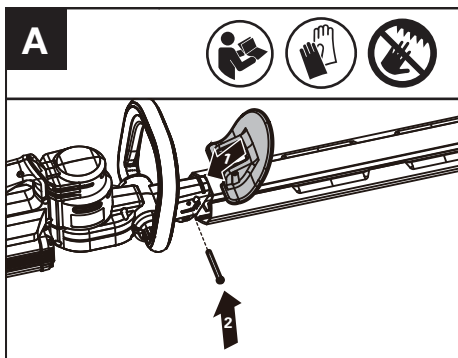
Los residuos de equipamientos eléctricos y electrónicos no deben depositarse con las basuras domésticas. Se recogen para reciclarse en centros especializados. Consulte las autoridades locales o su revendedor para obtener informaciones sobre la organización de la recogida.






MONTAJE Y FUNCIONAMIENTO

 **Nota:** Antes de usar la herramienta lea el manual de instrucciones detenidamente

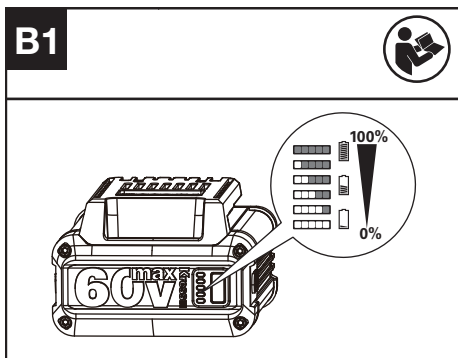
Montaje de la tapa de protección (Véase la Fig. A)

Asegurar el protector de seguridad sobre la recortadora de setos con un tornillo.




Se iluminan cuatro luces verdes.		50 % ≤ Nivel de energía < 70 %
Se iluminan tres luces verdes.		35 % ≤ Nivel de energía < 50 %
Se iluminan dos luces verdes.		20 % ≤ Nivel de energía < 35 %
Se ilumina una luz verde.		20 % ≤ Nivel de energía < 10 %
Ninguna luz está iluminada.		Nivel de potencia < 10 %

Comprobación del nivel de carga de la batería (Véase la Fig. B1)

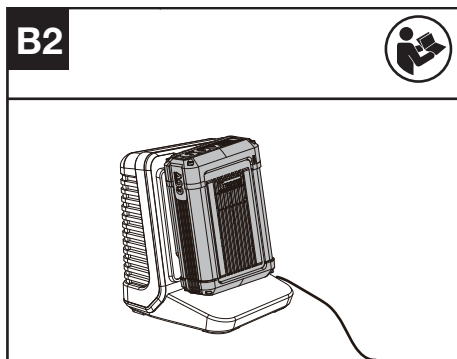


NOTE: La Fig. B1 solo es aplicable a la batería con indicador de la batería. Cuando se pulsa el botón que hay al lado del indicador de la batería, se indica el nivel de batería. Antes de encender la máquina o cuando termine de usarla, pulse el botón que hay al lado del indicador de encendido para ver el nivel de batería.

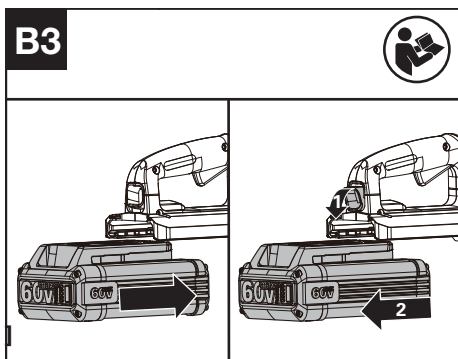
Comentarios	Luz LED	Estado de la batería
Se iluminan cinco luces verdes.		70 % ≤ Nivel de energía

Cargar la batería (Véase la Fig. B2)

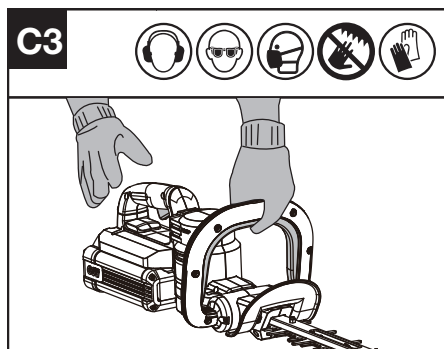
- El paquete de baterías está parcialmente cargado y tiene que ser cargado completamente antes de usarlo por primera vez.
- Encontrará más información en el manual del cargador.



Extraer O Instalar La Batería (Véase la Fig. B3)



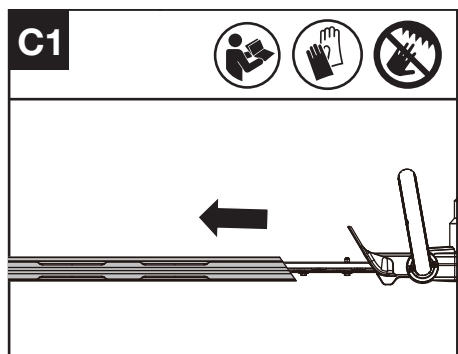
Suelte el gatillo de acelerador y el interruptor de presencia de operario para parar. (Véase la Fig. C3)



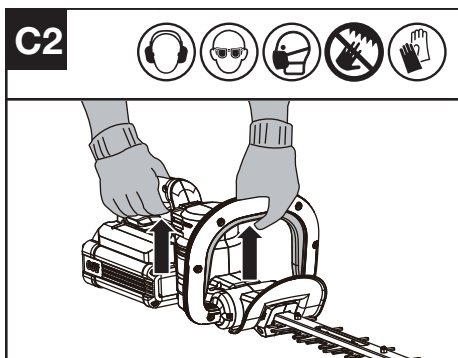
FUNCIONAMIENTO

Puesta en marcha y parada

Antes de usar, retire primero la funda de la cuchilla. (Véase la Fig. C1)



Pulse el interruptor de presencia de operario y el gatillo de acelerador para empezar. (Véase la Fig. C2)



Cuando no se utilice el equipo, hay que apagar la recortadora de setos y retirar la batería.

Trabajar con el cortasetos para cortes horizontales o verticales

Antes de cortar una zona, inspecciónela y retire cualquier objeto extraño que pudiera salir disparado o atascarse en las cuchillas. Sostenga siempre el cortasetos con ambas manos y con la cuchilla lo más alejada posible durante el arranque. Para cortar ramas nuevas, mueva el cortasetos realizando barridos para que las ramas entren directamente en la cuchilla.

Deje que la cuchilla alcance su máxima velocidad antes de cortar. Durante el uso, mantenga las cuchillas alejadas de la gente y los objetos como paredes, piedras grandes, árboles, vehículos, etc. Si la cuchilla se atasca, detenga inmediatamente el cortasetos.

Suelte el gatillo de acelerador y el interruptor de presencia de operario antes de intentar limpiar restos atascados en las cuchillas de corte.

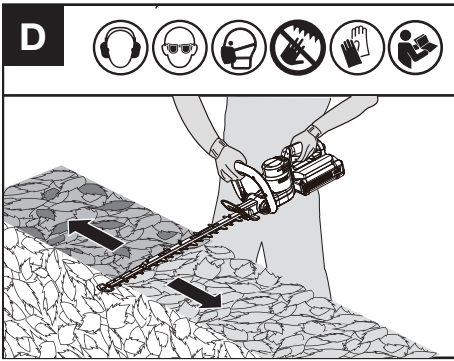
Utilice guantes para podar ramas espinosas o con púas.

No intente cortar ramas demasiado gruesas para la cuchilla.

Altos cortes (Véase la Fig. D)

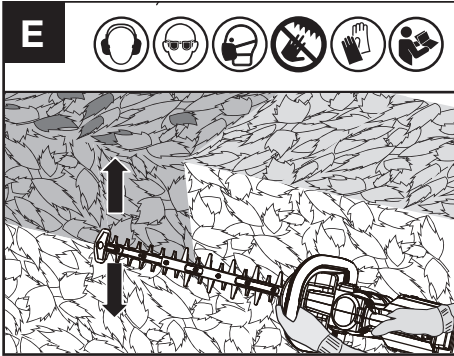
Haga un movimiento de gran amplitud en los 2 sentidos con su cortasetos. Una ligera inclinación de las cuchillas de arriba abajo que acompaña el movimiento dará una excelente calidad de corte.

⚠ ADVERTENCIA: Si falta alguna pieza, o están dañadas o rotas, no utilice el cortasetos hasta que se hayan reparado o reemplazado todas las piezas defectuosas. Si no se respeta esta instrucción, alguien podría resultar herido de gravedad. **ANTES DE PONER EN MARCHA SU APARATO, SIEMPRE INSTALAR EL PROTECTOR Y LA EMPUÑADURA DELANTERA.**



Cortes verticales (Véase la Fig. E)

Para realizar cortes verticales, comience por la parte inferior del seto, corte subiéndolo y efectuando un corte cónico de la parte baja hacia arriba. Esta forma permite una mejor exposición del seto y un crecimiento más uniforme.



Para las herramientas a batería

El rango de temperatura ambiente para el funcionamiento y el almacenamiento de la herramienta es de 0 °C-45 °C (32 °F-113 °F). El rango de temperatura ambiente recomendado para el sistema de carga durante el proceso de carga es de 0 °C- 40 °C (32 °F-104 °F).

TRASPORTE

Trasporte del recortador

1. Apague el recortador y retire la batería.
2. Cuando transporte el recortador a mano, sostenga el medio del vástago para asegurarse de que la máquina está paralela al suelo.
3. Cuando transporte el recortador en un vehículo, asegúrelo y colóquelo para evitar que vuelque o se dañe.

Transporte de la batería

1. Asegúrese de que la batería esté en condiciones de seguridad.

2. Use un embalaje no conductor cuando transporte la batería.
3. Las baterías de iones de litio contenidas están sujetas a los requisitos de legislación de mercancías peligrosas. Transporte las baterías únicamente si la carcasa de la batería no está dañada. Empaque las baterías de tal manera que no se puedan mover dentro del embalaje.

MANTENIMIENTO

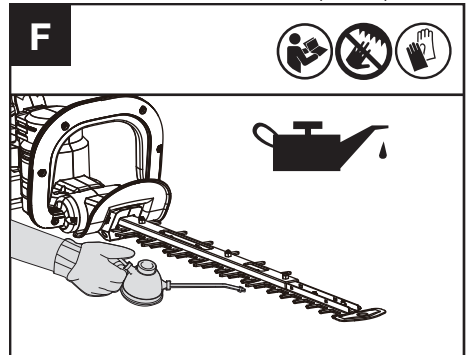
Quite la batería antes de llevar a cabo cualquier ajuste o tarea de reparación o mantenimiento.

No posee piezas en su interior que deban ser reparadas por el usuario. Nunca emplee agua o productos químicos para limpiar su herramienta. Use simplemente un paño seco. Guarde siempre su herramienta en un lugar seco. Mantenga limpias las ranuras de ventilación del motor. Mantenga todos los controles de funcionamiento libres de polvo.

Lubricación

Lubricar la cuchilla (Véase la Fig. F)

NOTA: Para evitar posibles daños en la cuchilla, es muy importante que únicamente se utilice el aceite lubricante estándar recomendado (WD-40).



Afilar

⚠ ADVERTENCIA: No utilizar la máquina con cuchillas de corte romas o dañadas, provocaría una sobrecarga y prestaciones insatisfactorias.

Cuando empiecen a reducirse las prestaciones de corte, la cuchilla debe ser afilada por un profesional. Lleve siempre guantes protectores cuando manipule la cuchilla del recortador y afile únicamente el filo de corte.

Afile únicamente el filo de corte. No pulir piezas salientes romas de la cuchilla de corte o su protector. Utilizar una piedra de amolar para eliminar la rebaba del filo de corte. Después de afilar, limpiar el polvo de la cuchilla.

LIMPIEZA

1. Apague el recortador y retire la batería.
2. No usar detergentes o disolventes agresivos.
Limpiar la máquina después del uso con un trapo húmedo sumergido en detergente neutro.
3. Mantenga la conexión de la batería libre de suciedad y restos, y limpie con un cepillo o paño suave y seco.
4. No rociar agua sobre el motor ni los componentes eléctricos.
5. No usar limpiador a presión para lavar la máquina.

ALMACENAMIENTO




ADVERTENCIA: Retire el paquete de baterías. Póngase guantes protectores cuando realice algún ajuste, reparación o mantenimiento. No ponga la mano o los dedos entre las cuchillas y evite ser pinzado o cortado.

1. Coloque siempre la funda sobre la cuchilla antes de almacenar la recortadora de setos. No toque los dientes afilados de la cuchilla.
2. Mantener alejado de agentes corrosivos.
3. Limpiar las cuchillas de corte después del uso.
4. Almacenar la máquina en un lugar seco, en el que esté fuera del alcance de niños y personas no autorizadas.

DATOS TÉCNICOS

Modelo **KG262 KG262.X (250-299- denominaciones de maquinaria, representantes de Cortasetos inalámbrico)**

	KG262 KG262.X **
Tensión	60 V  Max ***
Velocidad sin carga nominal	3400 /min
Longitud de la hoja	64 cm (25")
Longitud de corte	61 cm (24")
Espaciado de los dientes	34 mm (1.3")
Diámetro máximo de corte	27 mm (1")
Peso de la máquina (Herramienta descubierto)	3.03 kg (6.68 lbs)

** X = 1-999, A-Z, M1-M9 solo se utilizan para diferentes clientes, no hay cambios relevantes seguros entre estos modelos.

*** Voltaje medido sin carga. El voltaje inicial máximo de la batería es de 60 voltios. El voltaje nominal es de 54 voltios.

BATERÍAS Y CARGADORES RECOMENDADOS

Categoría	Tipo	Capacidad
60V Batería	KA3001	2.5 Ah
60V Cargador	KA3713	3.0 A

Le recomendamos que compre sus accesorios en la misma tienda que compró la herramienta. Consulte el paquete de accesorios para obtener más detalles. El personal de la tienda puede ayudarlo y ofrecerle asesoramiento.

INFORMACIÓN DE RUIDO

Nivel de presión acústica de ponderación A

L_{pA} : 85.12 dB(A)
 K_{pA} = 3 dB(A)

Nivel de potencia acústica de ponderación A

L_{wA} : 96.12 dB(A)
 K_{wA} = 3 dB(A)

Utilícese protección auditiva.



INFORMACIÓN DE VIBRACIÓN

Los valores totales de vibración se determinan según la norma EN 62841:

Valor de emisión de vibración: $a_n = 2.16 \text{ m/s}^2$

Incertidumbre K = 1.5 m/s^2



El valor total de vibraciones declarado y el valor de emisiones acústicas declarado se han medido de conformidad con un método de prueba estándar y pueden utilizarse para realizar comparaciones entre herramientas.

El valor total de vibraciones declarado y el valor de emisiones acústicas declarado también pueden utilizarse en una evaluación preliminar de la exposición.



ADVERTENCIA: Las vibraciones y las emisiones acústicas que se producen durante el uso de la herramienta eléctrica pueden variar respecto a los valores declarados en función de cómo se utilice la herramienta, especialmente dependiendo del tipo de pieza de trabajo que se procese y de otras formas de usar la herramienta: Cómo se utiliza la herramienta y se cortan o perforan los materiales.

Si la herramienta se encuentra en buenas condiciones de mantenimiento.

Si se utiliza el accesorio correcto para la herramienta y se garantiza que está afilado y en buenas condiciones.

La firmeza de sujeción de las empuñaduras, y el uso de accesorios para reducir las vibraciones y el ruido.

Y si la herramienta se utiliza según su diseño y estas instrucciones.

Esta herramienta podría causar síndrome de vibración del brazo y la mano si no se utiliza correctamente.



ADVERTENCIA: Para conseguir una mayor precisión, debe tenerse en cuenta una estimación del nivel de exposición en condiciones reales de todas las partes del ciclo de uso, como los tiempos durante los que la herramienta está apagado o cuando está en funcionamiento pero no está realizando ningún trabajo. Ello podría reducir notablemente el nivel de exposición sobre el periodo de carga total. Minimización del riesgo de exposición a las vibraciones y el ruido.

Utilice SIEMPRE cinceles, brocas y cuchillas afiladas.

Mantenga esta herramienta de acuerdo con estas instrucciones y bien lubricada (si es necesario).

Si la herramienta se va a utilizar de forma habitual, se recomienda adquirir accesorios para reducir las vibraciones y el ruido.

Planifique su programa de trabajo para distribuir el uso de la herramienta a lo largo de varios días.

PROTECTION AMBIENTAL



Los residuos de equipamientos eléctricos y electrónicos no deben depositarse con las basuras domésticas. Se recogen para reciclarse en centros especializados. Consulte las autoridades locales o su revendedor para obtener informaciones sobre la organización de la recogida.

DECLARACIÓN DE CONFORMIDAD

Los que reciben,
Positec Germany GmbH
Postfach 32 02 16, 50796 Cologne, Germany

En nombre de Positec declaran que el producto
Description **Recortadora de setos Alimentada con batería**
Modelo **KG262 KG262.X ((250-299 - denominaciones de maquinaria, representantes de Cortasetos inalámbrico)**
Función **Cortar setos y maleza**

Cumple con las siguientes Directivas,
2006/42/EC
2014/30/EU
2011/65/EU&(EU)2015/863
2000/14/EC enmendado por 2005/88/EC

2000/14/EC enmendado por 2005/88/EC:
- Procedimiento de evaluación de la conformidad de acuerdo con **Annex V**
- Nivel de presión acústica **96.12 dB(A)**
- Nivel de intensidad acústica **97 dB(A)**

Cumple las normativas,
EN 62841-1
EN 62841-4-2
EN ISO 3744
EN IEC 55014-1
EN IEC 55014-2
EN IEC 63000

La persona autorizada para componer el archivo técnico,

Firma **Marcel Filz**
Dirección **Positec Germany GmbH**
Postfach 32 02 16, 50796 Cologne, Germany



2023/09/06

Allen Ding

Ingeniero Jefe Adjunto. Pruebas y Certificación
Positec Technology (China) Co., Ltd
18, Dongwang Road, Suzhou Industrial
Park, Jiangsu 215123, P. R. China

INHOUDSOPGAVE

Inleiding.....	60
Onderdelenlijst.....	61
Productveiligheid.....	62
Assemblage En Bediening.....	65
Transporteren.....	67
Onderhoud.....	67
Reiniging.....	68
De Heggenschaar Opbergen.....	68
Technische Gegevens.....	69
Bescherming Van Het Milieu.....	70
<hr/> NL Conformiteitverklaring.....	70

INLEIDING

Beste klant,

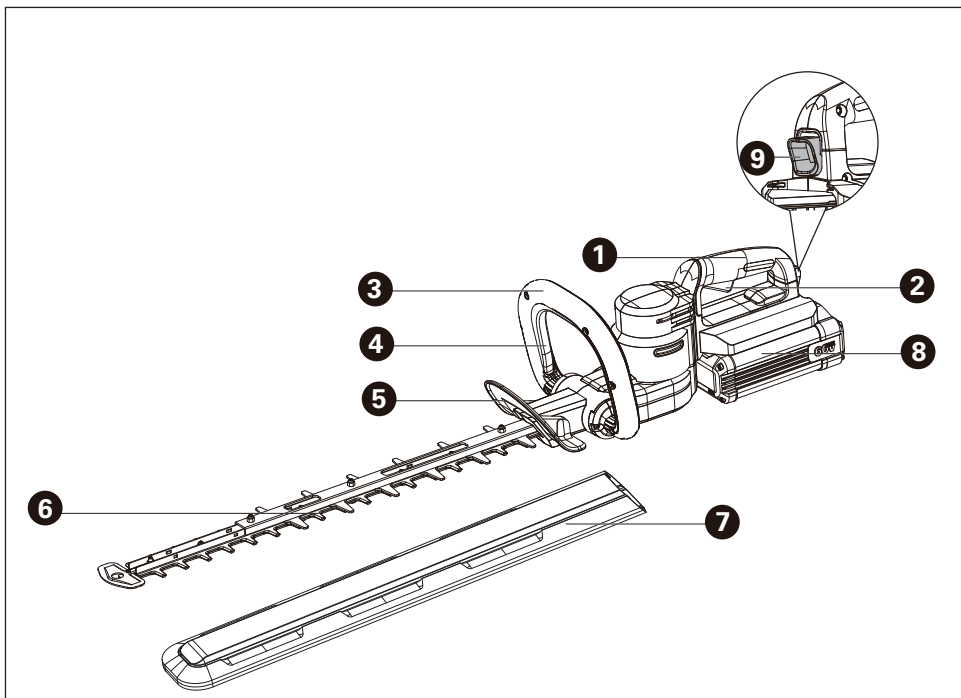
Dank u voor het kopen van dit Kress-product. Wij zijn toegewijd aan het ontwikkelen van producten van hoge kwaliteit om aan uw vereisten voor gazon & tuin te voldoen.

Het merk Kress staat synoniem voor service van topkwaliteit. Als u tijdens de levensduur van uw product vragen of zorgen hebt over uw product, neem dan contact op met uw plaats van aankoop of met onze Klantenservice voor ondersteuning.

Wij zijn ervan overtuigd dat u nog jarenlang plezier zult beleven aan het werken met uw Kress-product.

GEBRUIK VOLGENS BESTEMMING

Het apparaat is bedoeld voor het knippen en snoeien van heggen en struiken rondom het huis, of voor licht commercieel gebruik.



ONDERDELENLIJST

- | | |
|----|---|
| 1. | HANDVAT ACHTER |
| 2. | GASHENDEL |
| 3. | HANDVAT VOOR |
| 4. | AANWEZIGHEIDSSCHAKELAAR (VOLLEDIGE SCHAKELAARFUNCTIE) |
| 5. | BESCHERMKAP |
| 6. | SNIJBLAD |
| 7. | BESCHERMKOKER |
| 8. | ACCUPACK* |
| 9. | ONTGRENDKNOOP ACCU |

* Sommige afgebeelde of beschreven toebehoren worden niet meegeleverd.

OORSPRONKELIJKE GEBRUIKSAANWIJZING PRODUCTVEILIGHEID ALGEMENE VEILIGHEIDSWAARSCHUWINGEN VOOR VERMOGENSMACHINE



WAARSCHUWING Lees alle veiligheidswaarschuwingen, instructies, illustraties en specificaties die bij dit elektrisch gereedschap werden meegeleverd. *Het niet opvolgen van alle onderstaande voorschriften kan tot een elektrische schok, brand en/of ernstig persoonlijk letsel leiden.*

Bewaar alle waarschuwingen en instructies voor latere naslag.

De term “(elektrisch) gereedschap” in de waarschuwingen hieronder, verwijst naar uw op netspanning werkende gereedschap (met stroomdraad) of uw accugereedschap (draadloos).

NL

1. WERKGEBIED

- Houd uw werkgebied schoon en zorg ervoor dat deze goed verlicht is. *In rommelige en slecht verlichte werkgebieden gebeuren sneller ongelukken.*
- Gebruik elektrisch gereedschap niet in explosieve atmosferen, zoals in de nabijheid van ontvlambare vloeistoffen, gassen of stof. *Elektrisch gereedschap veroorzaakt vonken die de stof of de gassen kunnen doen ontvlammen.*
- Houd kinderen en omstanders uit de buurt terwijl u met elektrisch gereedschap werkt. *Afleidingen kunnen ervoor zorgen dat u de controle over het gereedschap verliest.*

2. ELEKTRISCHE VEILIGHEID

- De stekker van het elektrisch gereedschap moet passen in het stopcontact. Pas de stekker op geen enkele manier aan om te zorgen dat hij wel past. Gebruik geen adapterstekkers terwijl u gearde elektrisch gereedschap gebruikt. *Onaangepaste stekkers die in het stopcontact passen, verminderen de kans op een elektrische schok.*
- Vermijd lichamelijk contact met gearde of gegronde oppervlakken, zoals buizen, radiatoren, fornuizen en koelkasten. *Als uw lichaam gearde of gegronde is, is er een grotere kans op een elektrische schok.*
- Stel uw elektrische gereedschap niet bloot aan regen of natte omstandigheden. *Water dat elektrisch gereedschap kan binnendringen, vergroot de kans op een elektrische schok.*
- Gebruik de stroomdraad niet op een andere manier dan waarvoor deze gemaakt is. Trek niet aan de stroomdraad, ook niet om de stekker uit het stopcontact te krijgen en draag het gereedschap niet

door het aan de stroomdraad vast te houden. Houd de stroomdraad uit de buurt van hitte, olie, scherpe hoeken en bewegende onderdelen. *Beschadigde of verwarde stroomdraden vergroten de kans op een elektrische schok.*

- Wanneer u het elektrische gereedschap buitenshuis gebruikt, dient u te zorgen voor een verlengsnoer dat geschikt is voor gebruik buitenshuis. *Het gebruik van een verlengsnoer dat geschikt is voor gebruik buitenshuis, vermindert de kans op een elektrische schok.*
 - Moet een krachtmachine in een vochtige locatie worden gebruikt, gebruik dan een aardlekschakelaar (ALS). *Een ALS vermindert het gevaar op elektrische schokken.*
- ## 3. PERSOONLIJKE VEILIGHEID
- Blijf alert, kijk waar u mee bezig bent en gebruik uw gezonde verstand wanneer u met elektrisch gereedschap werkt. Gebruik geen elektrisch gereedschap wanneer u moe bent of onder de invloed van drugs, alcohol of medicijnen. *Een moment van onoplettendheid bij het gebruik van elektrisch gereedschap kan leiden tot ernstig persoonlijk letsel.*
 - Gebruik een veiligheidsuitrusting. Draag altijd oogbescherming. *Een veiligheidsuitrusting, zoals een stofmasker, schoenen met antislipzolen, een veiligheidshelm, of oorbescherming die onder de juiste omstandigheden gebruikt wordt, vermindert de kans op persoonlijk letsel.*
 - Pas op dat het apparaat niet onbedoeld wordt gestart. Zorg ervoor dat de schakelaar uit staat voordat u de voeding en/of batterij aansluit, en als u de machine oppakt en draagt. *Gereedschap dragen terwijl u uw vinger op de schakelaar houdt, of de stekker in het stopcontact steken terwijl het gereedschap ingeschakeld staat, is vragen om ongelukken.*
 - Verwijder inbussleutels of moersleutels voordat u het gereedschap inschakelt. *Een sleutel die nog in of op een draaiend onderdeel van het elektrische gereedschap zit, kan leiden tot ernstig persoonlijk letsel.*
 - Werk niet boven uw macht. Zorg er altijd voor dat u stevig staat en goed in balans bent. Hierdoor heft u betere controle over het gereedschap in onverwachte situaties.
 - Draag geschikte kleding. Draag geen loszittende kleding of sieraden. Houd uw haar, kleding en handschoenen uit de buurt van bewegende onderdelen. *Loszittende kleding, sieraden of lang haar kan vast komen te zitten in bewegende onderdelen.*
 - Wanneer er apparaten worden bijgeleverd voor stofafzuiging en –opvang, zorg er dan voor dat deze aangesloten zijn en op de juiste manier gebruikt worden. *Het gebruik van deze apparaten vermindert de gevaren die door stof kunnen ontstaan.*
 - Als u gereedschap veelvuldig gebruikt, dan kan dit leiden tot het negeren van de veiligheidsprincipes, probeer dit te vermijden. *Een achteloze actie kan binnen een fractie van een seconde leiden tot ernstig letsel.*
- ## 4. GEBRUIK EN ONDERHOUD VAN ELEKTRISCH GEREEDSCHAP
- Forceer het gereedschap niet. Gebruik gereedschap dat voor de toepassing geschikt is. *Het gebruik van geschikt gereedschap levert beter werk af en werkt*

veilig(er) als het gebruikt wordt op de snelheid waar het voor ontworpen is.

- b) **Gebruik het gereedschap niet wanneer de aan/uitschakelaar niet functioneert.** *Gereedschap dat niet kan worden bediend met behulp van de schakelaar is gevaarlijk en dient te worden gerepareerd.*
- c) **Neem de stekker uit het stopcontact en/of verwijder de batterij voordat u instellingen verandert, toebehoren vervangt of de machine opbergt.** *Deze preventieve veiligheidsmaatregelen verminderen de kans op het ongewild inschakelen van het gereedschap.*
- d) **Berg gereedschap dat niet gebruikt wordt buiten het bereik van kinderen op en laat personen die niet bekend zijn met het gereedschap of met deze veiligheidsinstructies het gereedschap niet bedienen.** *Elektrisch gereedschap kan in de handen van ongetrainde gebruikers gevaarlijk zijn.*
- e) **Onderhoud elektrisch gereedschap op de juiste wijze.** *Controleer of bewegende onderdelen nog goed uitgelijnd staan, of ze niet ergens vastzitten en controleer op elke andere omstandigheid die ervoor kan zorgen dat het gereedschap niet goed functioneert. Wanneer het gereedschap beschadigd is, dient u het te repareren voordat u het in gebruik neemt. Veel ongelukken worden veroorzaakt door slecht onderhouden elektrisch gereedschap.*
- f) **Houd snijdend gereedschap schoon en scherp.** *Goed onderhouden snijdend gereedschap met scherpe zaagbladen/messen zal minder snel vastlopen en is makkelijker te bedienen.*
- g) **Gebruik het gereedschap, de accessoires, de bitjes, enz. in overeenstemming met deze instructies en op de manier zoals bedoeld voor het specifieke type elektrisch gereedschap, rekening houdend met de werkomstandigheden en het uit te voeren werk.** *Het gereedschap gebruiken voor andere doeleinden dan waar deze voor ontworpen is, kan gevaarlijke situaties opleveren.*
- h) **Houd de handgrepen en grijppoppervlakten droog, schoon en vrij van olie en smeermiddel.** *Glibberige handgrepen en grijppoppervlakten laten geen veilige hantering toe, en zorgen ervoor dat u geen controle hebt over het gereedschap in onverwachte omstandigheden.*

5. GEBRUIK EN ONDERHOUD VAN ACCUGEREEDSCHAP

- a) **Laad het accupack alleen op met de door de fabrikant aangegeven oplader.** *Een oplader die geschikt is voor het ene type accupack, kan brand veroorzaken wanneer die gebruikt wordt voor een ander type accupack.*
- b) **Gebruik het gereedschap uitsluitend met het aangegeven accupack.** *Door het gebruik van andere accupacks ontstaat de kans op letsel of brand.*
- c) **Wanneer het accupack niet gebruikt wordt, dient u het uit de buurt te houden van metalen voorwerpen, zoals paperclips, munten, sleutels, spijkers, schroeven of andere kleine metalen voorwerpen die een verbinding kunnen maken tussen de contactpunten van de terminal.** *Het kortsluiten van de accuterminals kan zorgen voor brandwonden of brand.*
- d) **Onder extreme omstandigheden kan er vloeistof uit de accu lopen; raak deze vloeistof niet aan.** *Wanneer u toch onverhoopt met de vloeistof in aanraking*

komt, dient u dit onmiddellijk af te spoelen met water. Wanneer de vloeistof in de ogen komt, dient u zo snel mogelijk een arts te raadplegen. Vloeistof die afkomstig is uit de accu kan irritatie of brandwonden veroorzaken.

- e) **Gebruik geen accu of gereedschap dat beschadigd of aangepast is.** *Beschadigde of aangepaste accu's kunnen onvoorspelbaar reageren, wat kan leiden tot brand, explosie of het veroorzaken van letsel.*
 - f) **Stel een accu of gereedschap niet bloot aan vuur of extreme temperatuur.** *Blootstelling aan brand of een temperatuur boven 130°C kan explosie veroorzaken.*
 - g) **Volg alle instructies en laad de accu of het gereedschap niet op buiten het temperatuurbereik dat vermeld is in de handleiding.** *Onjuist opladen of opladen bij temperaturen buiten het aangegeven bereik kan de accu beschadigen en het risico op brand vergroten.*
- ## 6. SERVICE
- a) **Laat uw elektrisch gereedschap repareren door een bevoegde reparateur die alleen originele reserveonderdelen gebruikt.** *Zo bent u er zeker van dat uw gereedschap veilig blijft.*
 - b) **Repareer nooit beschadigde accu's.** *Reparatie van accu's mag alleen worden uitgevoerd door de fabrikant of geautoriseerde onderhoudstechnici.*

BELANGRIJKE EXTRA VEILIGHEIDSRICHTLIJNEN VOOR UW DRAADLOZE HEGGENSCHAAR

- a) **Houd alle lichaamsdelen uit de buurt van het snijblad.** **Verwijder het materiaal niet en houd het niet vast terwijl het snijblad in beweging is.** *De snijbladen blijven na het uitschakelen van de schakelaar draaien. Een ogenblik van onoplettendheid bij het gebruik van de heggenschaar kan ernstig persoonlijk letsel tot gevolg hebben.*
- b) **Draag de heggenschaar aan het handvat met een stilstaand snijblad en gebruik de aan/uit-schakelaar niet.** *Door de heggenschaar met zorg te behandelen vermindert u de kans op letsel door het snijblad.*
- c) **Breng altijd de snijbladhoes wanneer u de heggenschaar transporteert of opbergt.** *Een juiste hantering van de heggenschaar beperkt de kans op persoonlijk letsel dat door de snijbladen wordt veroorzaakt.*
- d) **Tijdens het verwijderen van vastzittend materiaal of het onderhouden van het gereedschap, zorg dat alle aan/uit-schakelaars op 'uit' zijn ingesteld en de accu verwijderd of ontkoppeld is.** *Een onverwachte activering van de heggenschaar tijdens het verwijderen van vastzittend materiaal of onderhouden van het gereedschap kan ernstig persoonlijk letsel veroorzaken.*
- e) **Houd het gereedschap vast bij de geïsoleerde handvatten als u een actie onderneemt waarbij het priemende gereedschap in contact kan komen met verborgen kabels.** *Contact met een kabel waar spanning op staat zet tevens spanning op metalen onderdelen van het apparaat en geeft de gebruiker een schok.*
- f) **Houd alle snoeren en kabels uit de buurt van het**

zaaggebied. Tijdens de werking kunnen de snoeren of kabels verborgen zijn in de hagen of heesters en kunnen ze per ongeluk worden doorgesneden.

- g) **Gebruik de heggenschaar niet tijdens slechte weersomstandigheden, in het bijzonder wanneer er kans op bliksem is.** Dit verlaagt het risico op een blikseminslag.
- h) **Controleer of er geen vreemde voorwerpen in de haag zitten, bijvoorbeeld afsluiting en verborgen bedrading.**
- i) **Houd de heggenschaar juist vast, bijv. met beide handen als er twee handgrepen voorzien zijn.**
- j) **De heggenschaar is bestemd om te worden gebruikt door de bediener op de grond en niet op een ladder of een onstabiele steun.**
- k) **Alvorens de heggenschaar te gebruiken, moet de gebruiker ervoor zorgen dat de vergrendelinrichting(en) van de bewegende elementen (bijv. de uitschuifbare schacht en draaiend element), indien aanwezig, zich in de vergrendelende positie bevinden.**

VEILIGHEIDSINSTRUCTIES VOOR HET ACCUPACK

- a) **Batterijcellen en accupacks mogen niet gedemonteerd, geopend of vernietigd worden.**
- b) **Sluit accupacks niet kort. Bewaar accupacks niet willekeurig in een doos of lade waar ze elkaar kunnen kortsluiten of door geleidende voorwerpen kortgesloten kunnen worden.** Houd het accupack op een afstand van andere metalen voorwerpen als paperclips, muntstukken, sleutels, nagels, schroeven en andere kleine metalen voorwerpen die de contacten van de accupack kunnen verbinden. Kortgesloten contacten van accupacks kunnen brandwonden of brand veroorzaken.
- c) **Stel accupacks niet bloot aan warmte of vuur. Vermijd opslag in direct zonlicht.**
- d) **Stel accupacks niet bloot aan mechanische schokken.**
- e) **Als een accu lekt dient men voorzichtig te zijn dat de vloeistof niet in contact komt met de huid of de ogen. Als dat toch gebeurt spoelt men de huid onder stromend water en raadpleegt men een arts.**
- f) **Houd batterijcellen en accupacks schoon en droog.**
- g) **Veeg de aansluitingen van het accupack schoon met een droge doek als ze vuil zijn geworden.**
- h) **Accupacks moeten voor gebruik worden opgeladen. Lees de gebruiksaanwijzing voor de juiste laadinstructies.**
- i) **Laat accupacks niet langdurig opladen als ze niet worden gebruikt.**
- j) **Na een lange opslagperiode kan het nodig zijn het accupack enkele keren op te laden en te ontladen voor een optimale prestatie.**
- k) **Laad alleen op met een lader met de technische gegevens van Kress. Gebruik geen andere lader dan de lader die specifiek voor dat doel met de apparatuur is meegeleverd.**
- l) **Gebruikt geen accupack dat niet bedoeld is voor gebruik met deze apparatuur.**
- m) **Houd accupacks buiten het bereik van kinderen.**


- n) **Bewaar de oorspronkelijke instructies van het product voor latere gebruik.**
- o) **Verwijder het batterijpakket uit de apparatuur als het niet in gebruik is.**
- p) **Volg de juiste procedure voor afvalverwijdering na afhandelen van dit apparaat .**
- q) **Gebruik geen cellen van verschillende fabrikanten, capaciteit, afmetingen of typen binnen een apparaat.**
- r) **Houd de accu uit de buurt van microgolven en hoge druk.**

SYMBOLLEN

	Om het risico op letsels te beperken, moet u de gebruiker-shandleiding lezen
	Waarschuwing!
	Draag oorbescherming
	Draag oogbescherming
	Draag stofmasker
	Niet blootstellen aan regen
	Accu's kunnen in de waterkringloop terecht komen als ze op onjuiste wijze worden weggegooid, wat gevaarlijk kan zijn voor het ecosysteem. Gooi afgedankte accu's niet weg bij het ongesorteerde huishoudelijke afval
	Niet in brand steken
	Draag beschermende handschoenen
	Zorg dat uw handen niet geklemd raken

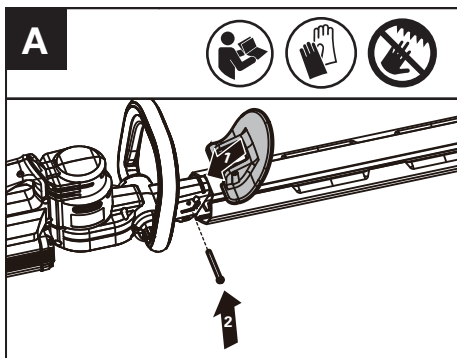
	Verwijder de batterij voordat u instellingen, reparaties of onderhoud uitvoert.
	Li-Ion-accu Dit product is uitgerust met een symbool dat 'gescheiden inzameling' aanduidt voor alle accu's. Ze worden dan gerecycled of gedemonteerd om de impact op het milieu te verminderen. Accu's kunnen gevaarlijk zijn voor het milieu en de menselijke gezondheid, omdat ze gevaarlijke stoffen bevatten.
	Afgedankte elektrische producten mogen niet bij het normale huisafval terechtkomen. Breng deze producten waar mogelijk naar een recyclecentrum bij u in de buurt. Vraag de verkoper of de gemeente informatie en advies over het recyclen van elektrische apparatuur.

ASSEMBLAGE EN BEDIENING

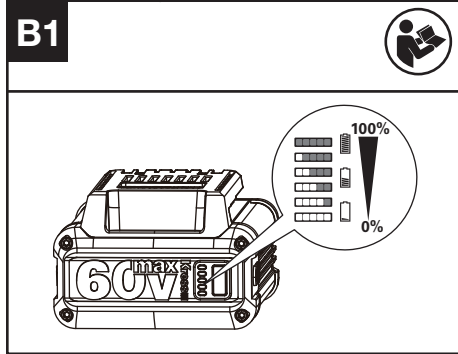
 **OPMERKING:** lees het instructieboekje aandachtig voor gebruik van het gereedschap.

Montage van de beschermkap (Zie Fig. A)







Maak de beschermkap vast op de heggenschaar met behulp van de schroef.



Controleren van de laadtoestand van het accupack (Zie Afb. B1)



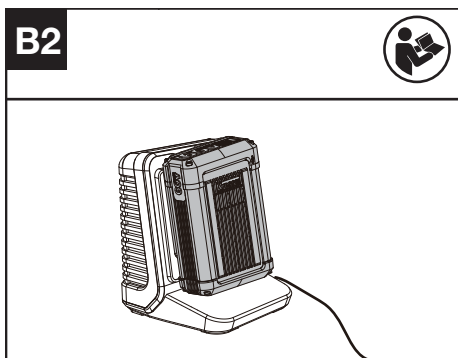
OPMERKING: Fig. D1 is alleen geschikt voor het accupack met indicatielampje voor de accu. Het accuniveau komt u te weten via het accu-indicatielampje door op de knop naast de lampjes te drukken. Druk vóórdat u start of na gebruik de knop in naast het vermogensindicatielampje op de machine om de accucapaciteit te controleren.

Opmerkingen	LED-lampje	Batterijtoestand
Vijf groene lampjes branden.		70% ≤ Vermogensniveau
Vier groene lampjes branden.		50% ≤ Vermogensniveau < 70%
Drie groene lampjes branden.		35% ≤ Vermogensniveau < 50%
Twee groene lampjes branden.		20% ≤ Vermogensniveau < 35%
Eén groen lampje brandt.		20% ≤ Vermogensniveau < 10%
Geen lampje brandt.		Vermogensniveau < 10%

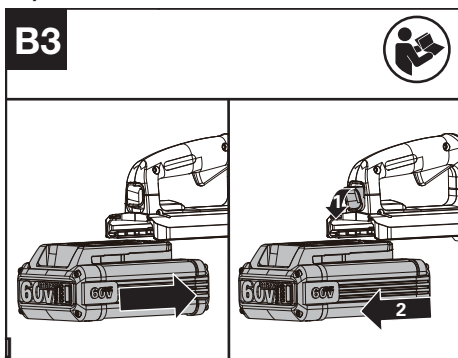
Laden van het accupack (Zie Afb. B2)

- Din batteripakke er delvist opladet, og den skal oplades helt inden første ibrugtagning.
- Uw accupakket is gedeeltelijk opgeladen en

moet voor het eerste gebruik volledig worden opgeladen.



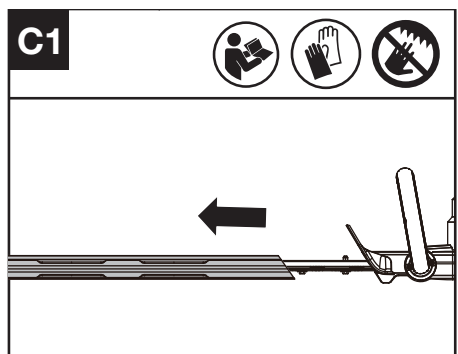
Starten/Stoppen van de trimmer (Zie Afb. B3)



BEDIENING

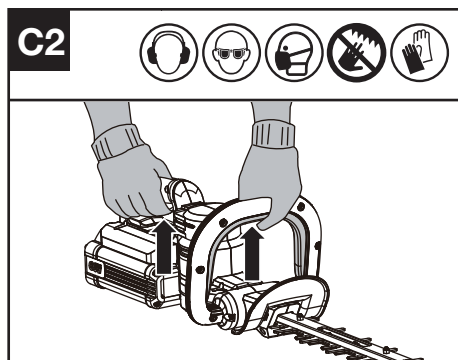
Starten & Stoppen

Verwijder voor gebruik eerst de snijbladhoes. (Zie Fig. C1)

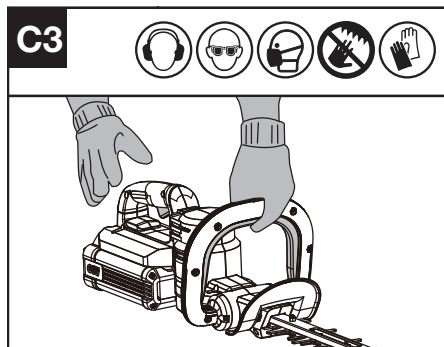


Druk op de aanwezigheidsschakelaar en de

gashendel om te starten. (Zie afb. C2)



Laat de gashendel en de aanwezigheidsschakelaar los om te stoppen. (Zie afb. C3)



Wanneer het gereedschap niet wordt gebruikt, schakel dan de heggenschaar uit en verwijder de accu.

De heggenschaar gebruiken

Voordat u een gebied snoeit, moet u het eerst inspecteren en vreemde objecten verwijderen die in de snijbladen kunnen vallen of verstrikken. Houd de heggenschaar altijd met beide handen vast en met het snijblad van u weg gericht voordat u het gereedschap inschakelt.

Wanneer u nieuwe bladeren snoeit, dient u een brede zwaaiende beweging te gebruiken, zodat de stammen direct in het mes terechtkomen. Wacht tot de snijbladen hun volle snelheid hebben bereikt voordat u het snoeien start. Houd de snijbladen tijdens het gebruik weg van mensen en objecten zoals muren, grote stenen, bomen, voertuigen, enz.

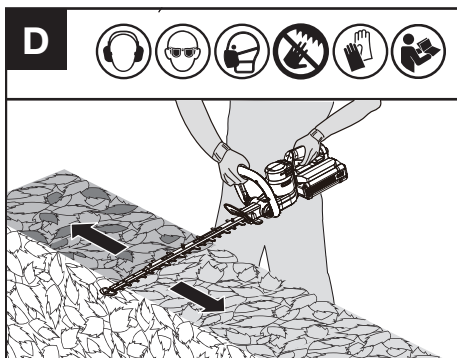
Als de messen blijven hangen, dient u de heggenschaar onmiddellijk te stoppen. Laat de gashendel en de aanwezigheidsschakelaar los voordat u probeert om vastzittende voorwerpen uit de messen te verwijderen.

Draag handschoenen wanneer u planten met doorns snoeit.
Probeer geen stammen te snoeien die te dik zijn om tussen de messen te passen.

TDe bovenkant snoeien (Zie Fig. D)

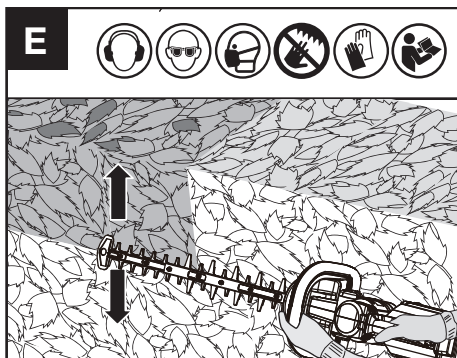
Snoei met een zwaaiende beweging. Het geeft het beste resultaat als u de messen iets naar beneden houdt in de richting van de beweging.

WAARSCHUWING: Als er onderdelen ontbreken, beschadigd of defect zijn, gebruik uw heggenschaar dan niet, voordat alle beschadigde onderdelen vervangen of gerepareerd zijn. Als hieraan niet voldaan wordt, kan ernstig lichamelijke letsel het gevolg zijn. **GEBRUIK HET GEREEDSCHAP NIET ZONDER DAT DE BESCHERMKAP GEMONTEERD IS EN HANDVAT VOOR.**



De zijkant snoeien (Zie Fig. E)

Bij het snoeien van de zijkant van een heg, begint u onderaan en werkt u naar boven toe, terwijl u ervoor zorgt dat de heg een beetje spits toeloopt naarmate u hoger komt. Hierdoor wordt er meer van de heg zichtbaar en zal de begroeiing beter verdeeld zijn.



Voer gereedschap met accu's

De omgevingstemperatuur voor het gebruik van het

gereedschap en de accu en de opslag ligt tussen 0 °C en 45 °C (32 °F en 113 °F).

De aanbevolen omgevingstemperatuur voor het laadsysteem tijdens het opladen ligt tussen 0 °C en 40 °C (32 °F en 104 °F).

TRANSPORTEREN

De heggenschaar transporteren

1. Schakel de heggenschaar uit en verwijder de accu.
2. Wanneer u uw trimmer met de hand vervoert, houdt u het midden van de as vast om er zeker van te zijn dat uw machine parallel aan de grond is.
3. Als u uw heggenschaar in een voertuig vervoert, zet deze dan vast op een plek om verschuiven of beschadiging te voorkomen.

De accu transporteren

1. Zorg dat de accu in een veilige staat is.
2. Gebruik een niet-geleidende verpakking bij het vervoeren van de accu.
3. De Li-ion-accu's zijn onderworpen aan wetgeving aangaande vervoer van gevaarlijke stoffen. Vervoer accu's alleen als de behuizing onbeschadigd is. Verpak de accu's zodanig, dat ze niet in de verpakking kunnen bewegen.

NL

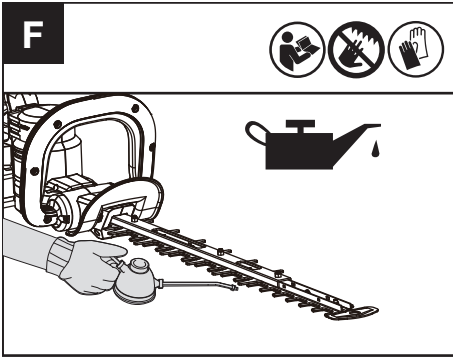
ONDERHOUD

Verwijder de batterij voordat u instellingen, reparaties of onderhoud uitvoert.

Dit gereedschap bevat geen onderdelen waaraan de gebruiker onderhoud kan of moet uitvoeren. Gebruik nooit water of chemische reinigingsmiddelen voor het schoonmaken van uw elektrische gereedschap. Veeg het schoon met een droge doek. Bewaar uw elektrische gereedschap altijd op een droge plek. Houd de ventilatiegaten van de motor schoon. Houd alle bedieningselementen vrij van stof.

Smeren

De messen smeren (Zie Fig. F)
OPMERKING: Het is belangrijk om alleen de aanbevolen standaardsmearolie te gebruiken (WD-40), om schade aan het blad te voorkomen.



2. Uit de buurt houden van bijtende middelen.
3. Reinig de snijbladen na gebruik.
4. Berg de machine op in een droge ruimte en buiten het bereik van kinderen en andere onbevoegde mensen.

Slijpen



WAARSCHUWING: Gebruik uw machine niet met stompe of beschadigde snijbladen, dit zal tot overbelasting en slechte prestaties leiden. Wanneer de knipprestaties afnemen, laat de messen dan slijpen door een vakman. Draag altijd beschermende handschoenen als u aan de messen werkt, en slijp alleen de snijrand. Slijp alleen de snijrand. Schuur geen stompe uitstekende delen van het snijblad of de beschermkap. Verwijder eventuele braampjes van de snijrand met een wetsteen. Na het slijpen, verwijder het stof van het snijblad.

NL

REINIGING

1. Schakel de heggenschaar uit en verwijder de accu.
2. Gebruik geen agressieve schoonmaakmiddelen of oplosmiddelen. Reinig de machine na gebruik met een vochtige doek die in een neutraal schoonmaakmiddel is gedompeld.
3. Houd de accu-aansluiting vrij van vuil en brokstukken en maak deze schoon met een zachte en droge borstel of doek.
4. Sproei geen water op de motor en elektrische componenten.
5. Gebruik geen hogedrukreiniger om uw machine te reinigen.

DE HEGGENSCHAAR OPBERGEN




WAARSCHUWING: Verwijder het accupakket. Draag beschermende handschoenen als u een afstelling, service of onderhoud uitvoert. Steek niet uw vingers of hand tussen de messen en vermijd dat u klem komt te zitten of dat u zichzelf snijdt.

1. Doe altijd de beschermkap op het schaarblad voordat u de heggenschaar opbergt. Raak de scherpe tanden van de messen niet aan met uw handen.

TECHNISCHE GEGEVENS

Type **KG262 KG262.X (250-299- aanduiding van machinerie, kenmerkend van Draadloze Heggenschaar)**

	KG262 KG262.X **
Spanning	60 V  Max ***
Snelheid onbelast	3400 /min
Lemmetlengte	64 cm (25")
Snijlengte	61 cm (24")
Tandafstand	34 mm (1.3")
Maximale snijdiameter	27 mm (1")
Gewicht machine (Kaal gereedschap)	3.03 kg (6.68 lbs)

** X = 1-999, A-Z, M1-M9 zijn alleen voor verschillende klanten, er zijn geen veiligheidsgerelateerde wijzigingen tussen deze modellen.


*** Spanning gemeten zonder belasting. Beginspanning batterij bereikt maximum 60 volt. Nominale spanning is 54 volt.

AANBEVOLEN BATTERIJEN EN OPLADERS

Categorie	Typ	Hoedanigheid
60V Accu	KA3001	2.5 Ah
60V Laber	KA3713	3.0 A

We raden u aan om accessoires te kopen in de winkel waar het gereedschap wordt verkocht. Zie het accessoirepakket voor meer informatie. Winkelpersoneel kan u helpen en adviseren.

GELUIDSPRODUCTIE


A-gewogen geluidsdruk	L_{PA} : 85.12 dB(A) K_{PA} = 3 dB(A)
A-gewogen geluidsvermogen	L_{WA} : 96.12 dB(A) K_{WA} = 3 dB(A)
Draag oorbescherming	

TRILLINGSGEGEVENS


Totale trillingswaarden (triax vector-som) volgens EN 62841:

Trillingswaarde: $a_n = 2.16 \text{ m/s}^2$

Onzekerheid $K = 1.5 \text{ m/s}^2$

 De totale waarde van trillingen en geluidsemisatie werden gemeten volgens een standaard testmethode en kunnen worden gebruikt om gereedschappen te vergelijken.

De totale waarde van trillingen en geluidsemisatie kunnen ook voor een voorlopige beoordeling van de blootstelling worden gebruikt.

 **WAARSCHUWING:** Trillingen en geluidsemisatie die tijdens het gebruik van het gereedschap optreden, kunnen verschillen van de opgegeven waarde, dit is afhankelijk van de manier waarop het gereedschap

wordt gebruikt, met name van het werkstuk dat wordt bewerkt, afhankelijk van de volgende voorbeelden en andere variaties in de manier waarop het gereedschap wordt gebruikt:
Hoe de machine gebruikt wordt en hoe het materiaal gesneden of geboord wordt.
De conditie en de onderhoudstoestand van de machine.
Gebruik van de juiste toebehoren. Zorg ervoor dat ze scherp zijn en in goede conditie.
Hoe stevig de handgreep wordt vastgehouden en of er anti-trilling en -geluidsaccessoires worden gebruikt.
De machine moet gebruik worden zoals door de ontwerper bedoeld is en in overeenstemming met deze instructies.

Deze machine kan een trillingsyndroom in hand en arm veroorzaken als hij niet op de juiste wijze gehanteerd wordt.



WAARSCHUWING: Voor de nauwkeurigheid moet bij een schatting van het blootstellingsniveau in de feitelijke gebruiksomstandigheden rekening worden gehouden met alle delen van de bewerking, zoals het moment dat de machine wordt uitgeschakeld en de tijden waarop de machine loopt zonder daadwerkelijk gebruikt te worden. Dit kan het blootstellingsniveau over de totale werkperiode aanzienlijk verminderen.

Het risico op blootstelling aan trillingen en geluid verminderen.
Gebruik **ALTIJD** scherpe beitels, boren en zaagbladen.
Onderhoud de machine volgens deze instructies en houd hem goed gesmeerd (voor zover van toepassing).
Als het gereedschap regelmatig wordt gebruikt, investeer dan in anti-trilling en -geluidsaccessoires.
Plan de werkzaamheden zodat de taken met veel trillingen over een aantal dagen verspreid worden.

BESCHERMING VAN HET MILIEU



Afgedankte elektrische producten kunt u niet met het normale huisafval weggooien. Breng deze producten, indien mogelijk, naar een recyclecentrum bij u in de buurt. Vraag de verkoper of de gemeente naar informatie en advies over het recyclen van elektrische producten.

CONFORMITEITVERKLARING

Wij,
Positec Germany GmbH
Postfach 32 02 16, 50796 Cologne, Germany

Namens Positec verklaar ik dat het product
Beschrijving **Accuheggenchaar**
Type **KG262 KG262.X (250-299 - aanduiding van machinerie, kenmerkend van Draadloze Heggenchaar)**
Functie **Snoeien van heggen en struiken**

Voldoet aan de volgende richtlijnen,
2006/42/EC
2014/30/EU
2011/65/EU&(EU)2015/863
2000/14/EC gewijzigd door 2005/88/EC

2000/14/EC gewijzigd door 2005/88/EC:
- Procedure beoordeling conformiteit volgens **Annex V**
- Niveau gemeten geluidsvermogen **96.12 dB(A)**
- Opgegeven, gegarandeerde niveau geluidsvermogen **97 dB(A)**

Normen voldoen aan,
EN 62841-1
EN 62841-4-2
EN ISO 3744
EN IEC 55014-1
EN IEC 55014-2
EN IEC 63000

De persoon die bevoegd is om het technische bestand te compileren,
Naam Marcel Filz
Adres Positec Germany GmbH
Postfach 32 02 16, 50796 Cologne, Germany



2023/09/06
Allen Ding
Plaatsvervangend Chief Ingenieur, Testen en Certificering
Positec Technology (China) Co., Ltd
18, Dongwang Road, Suzhou Industrial Park, Jiangsu 215123, P. R. China

GEBRUIK VOLGENS BESTEMMING

Introduktion.....	71
Lista De Componentes.....	72
Produktsikkerhed	73
Samling Og Betjenings.....	76
Transport.....	78
Vedligeholdelse.....	78
Rengøring.....	78
Opmagasinerings.....	78
Teknisk Data.....	79
Miljøbeskyttelse.....	80
Konformitetserklæring.....	80

DK

INTRODUKTION

Kære kunde,

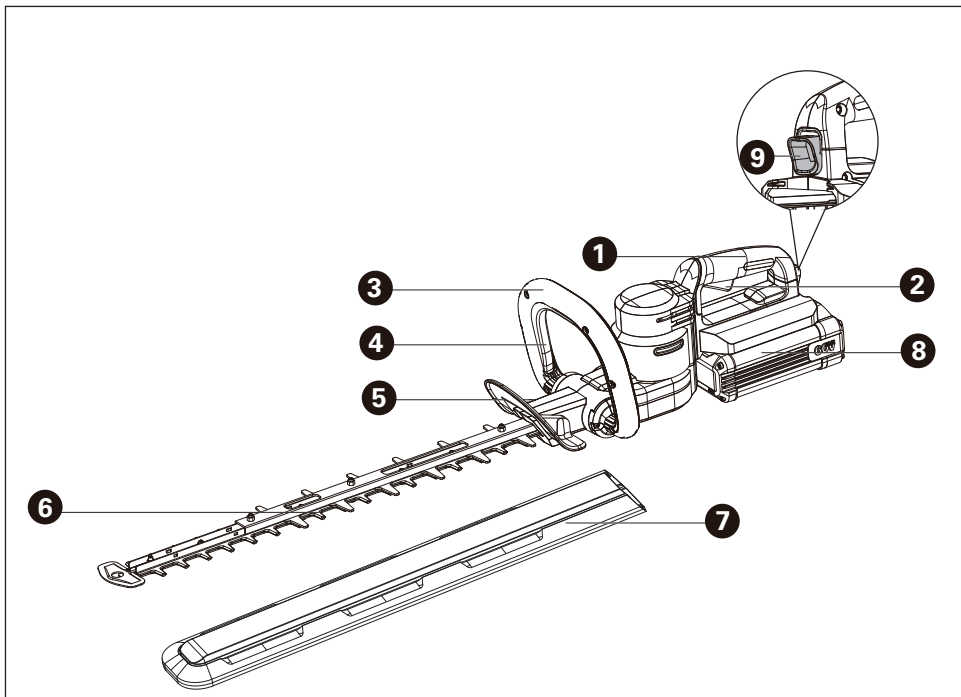
Tak, fordi du købte dette Kress-produkt. Vi har specialiseret os i at udvikle produkter af høj kvalitet, der dækker dine krav til din plæne og din have.

Kress-mærket står for service af førsteklasses kvalitet. Bed din lokale sælger eller vores kundeserviceteam om hjælp, hvis du har spørgsmål om eller problemer med produktet i dets levetid.

Vi er overbeviste om, at du vil nyde at bruge dit Kress-produkt i de kommende år.

BEREGNET ANVENDELSE

Produktet er beregnet til at klippe og trimme hække og buske ved private boliger eller til let, kommercielt brug.



LISTA DE COMPONENTES

- | | |
|----|---|
| 1. | BAGHÅNDTAG |
| 2. | HASTIGHEDSREGULERING |
| 3. | FORHÅNDTAG |
| 4. | KONTAKT TIL REGISTRERING AF OPERATØRTILSTEDEVÆRELSE (KAN SKIFTE HELE VEJEN RUNDT) |
| 5. | SIKKERHEDSSKÆRM |
| 6. | BLAD |
| 7. | BLADHYLSTER |
| 8. | BATTERIENHED* |
| 9. | BATTERIUDLØSERKNAP |

* Not all the accessories illustrated or described are included in standard delivery.

ORIGINAL BRUGSANVISNING SIKKERHEDSVEJLEDNINGER PRODUKTSIKKERHED GENERELLE SIKKERHEDSINSTRUKSER FOR EL-VÆRKTØJ



WARNING Read all safety warnings, instructions, illustrations and specifications provided with this power tool. Failure to follow all instructions listed below may result in electric shock, fire and/or serious injury.

Save all warnings and instructions for future reference.

The term "power tool" in the warnings refers to your mains-operated (corded) power tool or battery-operated (cordless) power tool.

1) ARBEJDSOMRÅDE

- a) Sørg for, at arbejdsområdet er rent og godt oplyst. Rodede arbejdsområder kan forårsage personskade.
- b) Anvend ikke elværktøj i eksplosive atmosfærer, f.eks. i nærheden af brændbare væsker, gasser eller støv. Elværktøj frembringer gnister, der kan antænde støv eller dampe.
- c) Hold børn og tilskuere på afstand, når elværktøjet bruges. Hvis du bliver distraheret, kan du miste kontrollen over værktøjet.

2) ELSIKKERHED

- a) Elværktøjets stik skal svare til stikkontakten. Du må ikke ændre stikket på nogen måde. Brug ikke adapterstik til elværktøj med jordforbindelse. Hvis du bruger uændrede stik og stikkontakter, der passer til stikkene, mindsker risikoen for elektrisk stød.
- b) Undgå at røre ved overflader med jordforbindelse, f.eks. rør, radiatorer, komfurer og køleskabe. Risikoen for elektrisk stød øges, hvis din krop får jordforbindelse.
- c) Brug ikke elværktøj i våde eller fugtige omgivelser. Hvis der trænger vand ind i elværktøjet, øges risikoen for elektrisk stød.
- d) Undgå at udsætte ledningen for overlast. Bær ikke værktøjet i ledningen, og træk ikke i ledningen, når du tager stikket ud af stikkontakten. Hold ledningen væk fra varme, olie, skarpe kanter og bevægelige dele. Beskadigede eller filtrerede ledninger øger risikoen for elektrisk stød.
- e) Brug altid forlængerledninger til udendørs brug, når du anvender værktøjet udendørs. Risikoen for elektrisk stød mindskes, hvis forlængerledningen er egnet til udendørs brug.
- f) Hvis det elektriske værktøj anvendes i fugtige omgivelser, skal der ubetinget anvendes en strømforsyning, der er beskyttet mod reststrøm. Det mindsker risikoen for elektriske stød.

3) PERSONLIG SIKKERHED

- a) Vær opmærksom, hold altid øje med værktøjet, og brug din sunde fornuft ved brug af elværktøjet. Brug ikke elværktøjet, hvis du er træt eller påvirket af narkotika, alkohol eller medicin. Et øjeblikvis koncentrationssvigt ved brug af elværktøj kan medføre alvorlig personskade.
 - b) Brug beskyttelsesudstyr. Brug altid sikkerhedsbriller. Sikkerhedsudstyr som støvmaske, skridsikre sikkerhedssko, sikkerhedshjelm eller høreværn mindsker risikoen for personskade.
 - c) Undgå at starte utilsigtet. Kontroller, at kontakten står i stillingen OFF, inden udstyret tilsluttes en strømkilde og/eller batteripakke, samles op eller transporteres. Hvis du bærer elværktøj med fingeren på afbryderen eller sætter stikket i stikkontakten, mens afbryderen er tændt, er der risiko for ulykker.
 - d) Fjern justeringsnøgler og lignende fra elværktøjet, før du tænder det. Justeringsnøgler, der sidder på elværktøjets roterende dele, kan resultere i personskade.
 - e) Undgå at række for langt. Sørg for at have et godt fodfæste og underlag. Det giver bedre kontrol over elværktøjet i uventede situationer.
 - f) Vær korrekt påklædt. Undlad at bære løstsiddende tøj eller smykker. Hold hår, tøj og handsker på afstand af de bevægelige dele. Løstsiddende tøj, smykker eller langt hår kan blive fanget af de bevægelige dele.
 - g) Hvis værktøjet leveres med støvpose og adapter til støvudsugning, skal du kontrollere, at delene er tilsluttet korrekt. Disse enheder mindsker risikoen for skader på grund af støv.
 - h) Selvom du kender værktøjet godt og er vant til at bruge det, skal du alligevel være opmærksom og overholde sikkerhedsanvisningerne. Et øjeblikvis uopmærksomhed kan medføre alvorlige personskader.
- ## 4) BRUG OG VEDLIGEHOLD AF ELVÆRKTØJ
- a) Undlad at presse elværktøjet. Brug det korrekte elværktøj til opgaven. Du opnår en bedre og mere sikker drift, hvis du anvender det korrekte elværktøj ved den anbefalede hastighed.
 - b) Undlad at bruge elværktøjet, hvis afbryderen ikke slår værktøjet til og fra. Elværktøj, der ikke kan kontrolleres ved hjælp af afbryderen, er farligt og skal repareres.
 - c) Træk stikket på værktøjet ud fra strømkilden og/eller batteripakken, inden der foretages justeringer, udskiftning af dele eller opbevaring af værktøjet. Disse forholdsregler mindsker risikoen for utilsigtet start af elværktøjet.
 - d) Opbevar elværktøj utilgængelig for børn, og lad aldrig personer, der ikke er fortrolige med elværktøjet eller disse anvisninger, bruge elværktøjet. Elværktøj er farligt, hvis det bruges forkert.
 - e) Vedligehold elværktøjet. Kontrollér, om de bevægelige dele er korrekt justeret eller går tungt, om dele er gået i stykker og enhver anden tilstand, som kan påvirke elværktøjets funktion. Hvis elværktøjet er beskadiget, skal det repareres inden brug. Mange ulykker forårsages af dårligt vedligeholdt elværktøj.
 - f) Hold værktøjet skarpt og rent. Korrekt vedligehold af elværktøj med skarpe klinger sætter sig ikke fast og er

nemmere at kontrollere.

- g) Brug elværktøjet, tilbehøret og eventuelle bits i henhold til disse anvisninger og på en passende måde for den pågældende type elværktøj. Tag altid hensyn for arbejdsomgivelserne og den forhåndenværende opgave. Hvis elværktøjet bruges til andre opgaver end den, det er beregnet til, kan det medføre farlige situationer.
- h) Hold håndtag og gribeblader tørre, rene og fri for olie og smørefedt. Hvis håndtag og gribeblader er glatte, kan værktøjet ikke håndteres og styres sikkert, hvis der sker noget uventet.

5) BRUG OG ANVENDELSE AF BATTERIVÆRKTØJ

- a) Oplad kun med den oplader, der er angivet af producenten. En oplader, der passer til en type batterienhed kan forårsage risiko for brand, hvis den bruges sammen med en anden batterienhed.
- b) Brug kun de el-værktøjer, der er specifikt angivet til batterienhederne. Brug af andre batterienheder kan udgøre en risiko for skade og brand.
- c) Når batterienheden ikke bruges, skal du holde den væk fra andre metalgenstande som f.eks. papirclips, mønter, nøgler, søm, skruer eller andre mindre metalgenstande, der kan skabe forbindelse mellem en klemme til en anden. Kortslutning af batteriklemmer kan forårsage brandsår eller brand.
- d) Ved forkert brug kan der sprøjtes væske ud af batteriet; undgå kontakt. Hvis der sker kontakt ved et uheld, skal du straks skylle med vand. Hvis der kommer væske i øjnene, skal du også søge lægehjælp. Væske, der sprøjtes ud fra batteriet, kan medføre irritation eller forbrænding.
- e) Brug ikke akkuer eller værktøj, som er beskadiget eller modificeret. Beskadigede eller modificerede akkuer kan opføre sig uforudsigeligt og forårsage brand, eksplosion eller fare for personskade.
- f) Akkuer eller værktøj må ikke udsættes for ild eller meget høje temperaturer. Ild eller temperaturer over 130°C kan medføre eksplosion.
- g) Følg alle instruktioner for opladning. Akkuen må ikke oplades ved temperaturer uden for det område, der er angivet i instruktionerne. Forkert opladning eller opladning ved temperaturer uden for det angivne område kan medføre skader på akkuen og forøge brandfaren.

6) SERVICE

- a) Service på elværktøjet skal udføres af en autoriseret reparatør ved hjælp af originale reservedele. Dette sikrer, at elværktøjet er sikkert at bruge.
- b) Beskadigede akkuer må aldrig repareres. Reparation af akkuer må kun udføres af producenten eller autoriserede reparatører.

VIGTIGE YDERLIGERE SIKKERHEDSBEMÆRKNINGER VEDRØRENDE HÆKKEKLIPPEREN

- a) Hold alle kropsdele væk fra skæreblandet. Fjern ikke

afskåret materiale og hold ikke fast i materiale, der skal skæres, når knivene er i bevægelse. Knivene fortsætter med at bevæge sig, efter at kontakten er sluttet. Et øjeblikvis uopmærksomhed, mens der arbejdes med hækkeklipperen, kan medføre alvorlig personskade.

- b) Bær hækkeklipperen i håndtaget og med stoppet skærebånd og pas på ikke at trykke på nogen afbrydere. Korrekt håndtering af hækkeklipperen nedsætter risikoen for personskade påført af skærebåndene.
- c) Ved transport eller opbevaring af hækkeklipperen skal afskærmningen altid monteres. Korrekt håndtering af hækkeklipperen vil mindske risikoen for personskade fra knivene.
- d) Når fastsiddende materiale skal fjernes eller klipperen skal serviceres, skal du sørge for at alle afbrydere er slukket, og batteriet er fjernet eller afbrudt. Uventet aktivering af hækkeklipperen ved rengøring eller servicering kan medføre alvorlig personskade.
- e) Hold elværktøjet i de isolerede håndgreb, når du udfører opgaver, hvor værktøjet kan komme i kontakt med skjulte elledninger eller sin egen ledning. Hvis værktøjet rammer en strømførende ledning, bliver dets elektriske dele også strømførende, hvilket kan give brugeren elektrisk stød.
- f) Hold alle netledninger og kabler væk fra klippeområdet. Netledninger eller kabler kan være skjult i hække eller buske, og kan ved et uheld blive skåret over af knivene.
- g) Brug ikke hækkeklipperen i dårligt/fugtigt vejr, især hvis der er risiko for lynnedslag. Dette mindsker risikoen for at blive ramt af lynet.
- h) Kontrollér hække og buske for fremmedlegemer, fx. trædregn og skjult ledningsføring.
- i) Hold hækkeklipperen korrekt, fx. med begge hænder, hvis to håndtag medleveres.
- j) Hækkeklipperen er beregnet på at blive anvendt af brugeren stående på jorden – ikke på stiger eller nogen andre ustabile flader!
- k) Før du betjener hækkeklipperen bør du være sikker på at læseanordningen/-er til bevægelige dele (fx. teleskopskaftet og drejehovedet, hvis disse forefindes), er i låst position.

SIKKERHEDSFORSKRIFTER TIL BATTERISÆT

- a) Sekundærelementer eller batterisæt må ikke skilles ad, åbnes eller knuses.
- b) Et batterisæt må ikke kortsluttes. Batterisæt må ikke opbevares lemfædigt i en kasse eller skuffe, hvor de kan kortslutte hinanden eller kortsluttes af ledende genstande. Når batterisættet ikke er i brug, skal det holdes væk fra andre metalgenstande, såsom papirclips, mønter, nøgler, søm, skruer eller andre små metalgenstande, der kan skabe en forbindelse fra en pol til en anden, Kortslutning af batteripoler kan medføre forbrændinger eller brand.
- c) Batterisæt må ikke udsættes for varme eller ild. Må ikke opbevares i direkte sollys.
- d) Batterisæt må ikke udsættes for mekaniske stød.
- e) I tilfælde af at et batteri lækker, må væsken ikke

komme i kontakt med huden eller øjne. Hvis der er sket kontakt, skal det berørte område vaskes med rigelige mængder vand, hvorefter der søges lægehjælp.


- f) Opbevar batterisæt på et rent og tørt sted.
- g) Aftør batterisættets poler med en tør klud, hvis de bliver snavsede.
- h) Batterisæt skal oplades før anvendelsen. Anvend altid den korrekte oplader, og læs producentens anvisninger eller brugervejledning for, hvordan batterierne oplades korrekt.
- i) Et batterisæt må ikke efterlades til opladning i længere tid, hvis det ikke anvendes.
- j) Efter længere opbevaringsperioder kan det være nødvendigt at oplade eller aflade batterisættet flere gange for at op den optimale ydelse.
- k) Genoplad kun med laderen specificeret af Kress. Anvend ingen anden oplader end den, der specifikt er beregnet til brug med udstyret.
- l) Brug kun det korrekte batteri til udstyret.
- m) Batterisættet skal opbevares utilgængeligt for børn.
- n) Opbevar den originale produktliteratur til fremtidig brug.
- o) Batterisættet skal fjernes fra udstyret, når det ikke er i brug.
- p) Bortskaffes på en miljørigtig måde.
- q) Bland ikke batterier af forskellig fremstilling, kapacitet, størrelse eller type i enheden.
- r) Hold batteriet væk fra mikrobølgeovne og højt tryk.

SYMBOLER

	For at undgå risikoen for personskader skal brugeren læse brugervejledningen
	Advarsel
	Bær høreværn
	Bær øjenværn
	Bær støvmaske
	Udsæt ikke værktøj for regn.

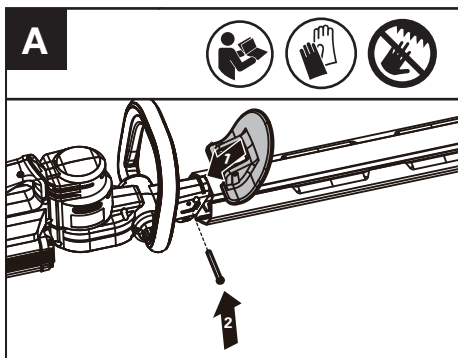
	Batterier kan indgå i vandkredslobet, hvis de bortskaffes forkert, hvilket kan være farligt for økosystemet. Bortskaf ikke udtjente batterier som usorteret, kommunalt affald.
	Må ikke brændes.
	Bær beskyttelseshandsker
	Hold hænderne væk
	Fjern batteriet før du udfører justeringer, service eller vedligeholdelse.
	Li-Ion batteri. Dette produkt er mærket med et symbol, der henviser til "separat indsamling" for alle batteripakker og elementer. Det vil derefter blive genanvendt eller demonteret for at mindske miljøbelastningen. Batteripakker kan være farlige for miljøet og for menneskers sundhed, da de indeholder farlige stoffer.
	Elektriske affaldsprodukter må ikke bortskaffes sammen med husholdningsaffald. Afleverer venligst maskinen på genbrugsstationen. Kontakt de lokale myndigheder eller din forhandler for at få råd om genbrug.

SAMLING OG BETJENINGS

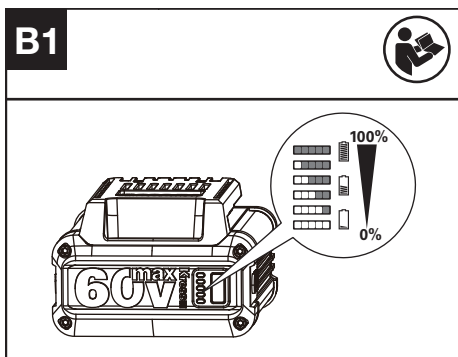
 **Noter:** Før du bruger dette værktøj, læs instruktionsbogen omhyggeligt.

Samling af skærm (Se Fig. A)

Fastgør beskyttelsesskærmen på hækklipperen med skruen.









Tjek af batterinivealets tilstand (Se Fig. B1)



BEMÆRK: Fig. B1 gælder kun for batteripakken med batteriindikatorlampen.

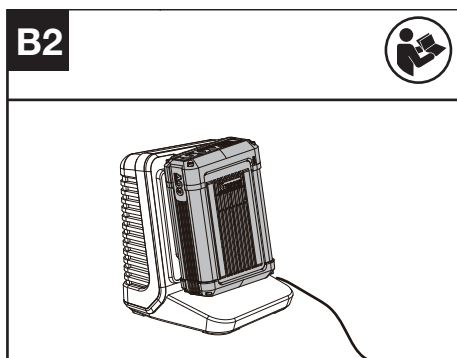
Batteriniveaet kan ses på batteri-indikatorlampen, ved at trykke på knappen ved siden af lamperne. Før start eller efter brug trykkes knappen ved siden af batteri-indikatorlampen, for at kontrollere batterikapaciteten.

Bemærkninger	LED-lys	Batteritilstand
Fem grønne lys er tændt.		$70\% \leq \text{Effektniveau}$
Fire grønne lys er tændt.		$50\% \leq \text{Effektniveau} < 70\%$

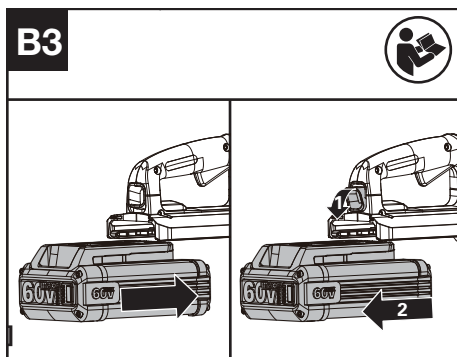
Tre grønne lys er tændt.		$35\% \leq \text{Effektniveau} < 50\%$
To grønne lys er tændt.		$20\% \leq \text{Effektniveau} < 35\%$
Et grønt lys er tændt.		$10\% \leq \text{Effektniveau} < 20\%$
Ingen lys er tændt.		Effektniveau $< 10\%$

Oplad batteriet (Se Fig. B2)

- Din batteripakke er delvist opladet, og den skal oplades helt inden første ibrugtagning.
- Flere detaljer kan findes i manualen.



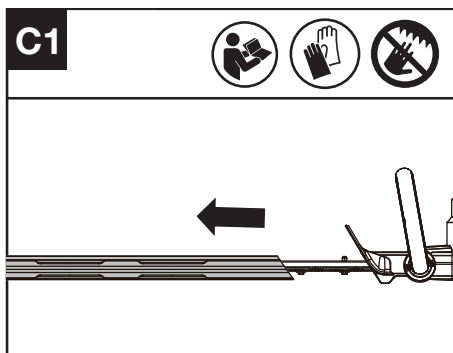
Sådan fjernes eller sættes batterienheden (Se Fig. B3)



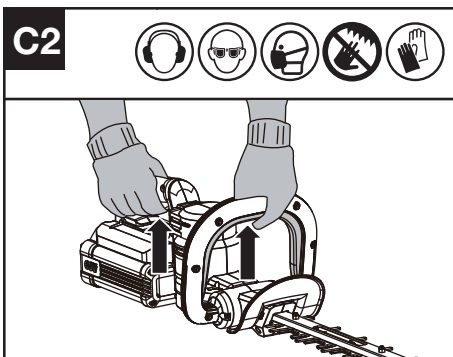
BETJENINGS

Opstart & Slukning

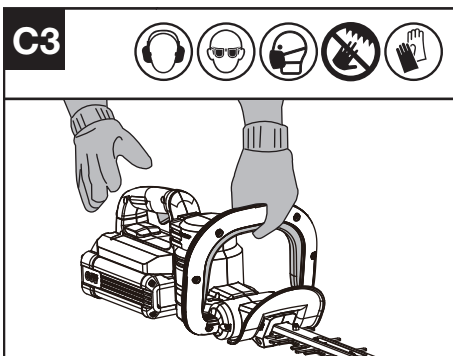
Før brug, fjernes kappen til kniven. (Se Fig. C1)



Tryk på kontakten til registrering af operatørens tilstedeværelse og hastighedsreguleringen for at starte. (Se fig. C2)



Slip hastighedsreguleringen og kontakten til registrering af operatørens tilstedeværelse for at standse. (Se fig. C3)



Når klipperen ikke er i brug, skal du slukke den og tage batteriet ud.

Sådan bruges hæksaksen

Inden du begynder at klippe, skal du inspicere klippeområdet og fjerne alle fremmede ting, som kan slynges væk eller sætte sig fast i bladene. Hold altid hæksaksen med begge hænder og bladene væk fra dig, inden du aktiverer den.

Når du skærer ny vækst, skal du bruge store bevægelser, så stilkene kommer direkte ind i bladene.

Lad skærebladene komme op på fuldt tempo, inden du begynder at skære. Under arbejdet skal du holde skærebladene væk fra mennesker og ting såsom vægge, store sten, træer, køretøjer osv. Under arbejdet skal du holde skærebladene væk fra mennesker og ting såsom vægge, store sten, træer, køretøjer osv.

Hvis bladene sætter sig fast, skal du omgående stoppe hæksaksen.

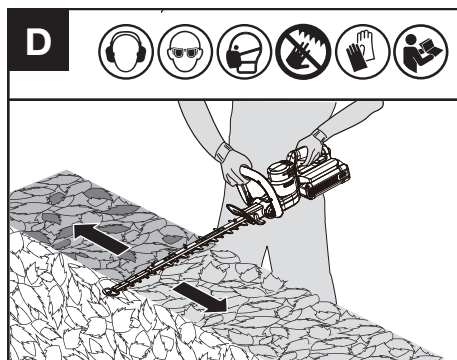
Slip hastighedsreguleringen og kontakten til registrering af operatørens tilstedeværelse, før du forsøger at fjerne afklippet materiale fra kniven. Brug handsker, når du klipper tornet og anden stikkende vækst.

Forsøg ikke at skære stilke, der er for tykke for skærebladene.

Topskæring (Se Fig. D)

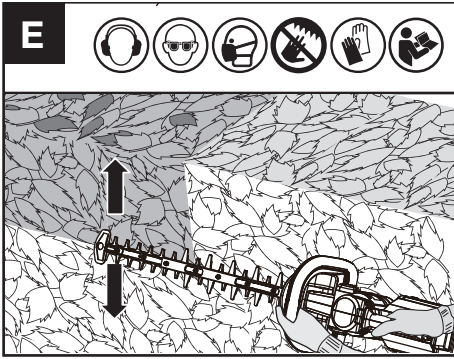
Brug store og fejende bevægelser. Led nedadvendte skæreblade i bevægelsesretningen giver de bedste skæreresultater.

⚠ Advarsel: Hvis der er manglende, beskadigede eller ødelagte dele, må hækklipperen ikke betjenes, før alle beskadigede dele er erstattet eller repareret. Hvis man unnlader at gøre dette, kan det føre til alvorlig personlig kvæstelse. **BRUG IKKE DETTE PRODUKT UDEN AT SKÆRMEN OG FORHÅNDTAGET ER MONTERET.**



Sideskæring (Se Fig. E)

Når du klipper hækkens sider, skal du gøre det nedefra og op. Denne form viser mere af hækken og giver en mere ensartet vækst.



Til batteriredskaber

Værktøj og batteri bør kun anvendes og opbevares i omgivelsestemperaturområdet 0 °C- 45 °C (32 °F-113 °F).

Det anbefalede omgivelsestemperaturområde for opladningssystemet under opladningen er 0 °C-40 °C (32 °F-104 °F).

TRANSPORT

Transport af hækklipperen

1. Sluk trimmeren, og tag batteriet ud.
2. Når du transporterer trimmeren med hånden, hold på midte af skaftet, så maskinen er parallel med jorden.
3. Når du transporterer trimmeren i et køretøj, skal den fastspændes og placeres, så den ikke kan vælte eller blive beskadiget.

Transport af batteriet

1. Sørg for, at batteriet er i sikker stand.
2. Brug ikke-ledende emballering under transport af batteriet.
3. De indeholdte litiumionbatterier er underkastet bestemmelser om transport af farligt gods. Batterier må kun transporteres, hvis deres indkapsling er intakt. Batterierne skal emballeres, så de ikke kan flytte sig under transporten.

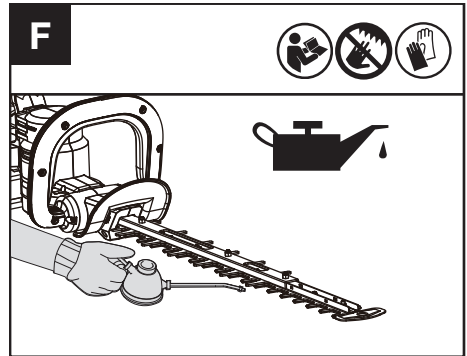
VEDLIGEHOLDELSE

Fjern batteriet før du udfører justeringer, service eller vedligeholdelse.

Der er ingen dele, der kan brugerserviceres i dit el-værktøj. Brug aldrig vand eller kemiske rengøringsmidler til rengøring. Må kun rengøres med en tør klud. Opbevares på et tørt sted. Hold motorens ventilationsåbninger rene. Knapperne o.l. skal være rene og frie for støv.

Smøring

Smøring af skærebladene (Se Fig. F)
BEMÆRK: Det er vigtigt kun at anvende den anbefalede smøroleie (WD-40) for at undgå beskadigelse af kniven.



Slibning

! **ADVARSEL:** Brug ikke maskinen med sløve eller beskadigede knive, som kan medføre overbelastning og utilfredsstillende præstation. Når skæreydelsen begynder at forringes, skal kniven slibes hos en professionel. Brug altid beskyttelseshandsker, når kniven håndteres, og slib kun selve æggen. Slib kun selve æggen. Slib ikke stumpede fremspringende dele på klingens eller dens beskyttelseanordninger. Brug en hvæssesten til at fjerne grater fra æggen. Efter slibning fjernes slibestøv fra kniven.

RENGØRING

1. Sluk trimmeren, og tag batteriet ud.
2. Brug ikke aggressive rengøringsmidler eller opløsningsmidler. Rengør maskinen efter brug med en fugtig klud dypet i et neutralt rengøringsmiddel.
3. Hold batteriterminalerne fri for fremmedlegemer og snavs, og rengør dem med en blød, tør børste eller klud.
4. Sprøjt ikke vand ind i motoren og de elektriske komponenter.
5. Brug ikke en højtryksrenser til rengøring af din maskine.

OPMAGASINERING


! **ADVARSEL:** Fjern batteripakken. Brug beskyttelseshandsker ved justeringer, servicering eller reparationer af klipperen. Hold hænder og fingre væk fra knivens tænder, så du ikke bliver klemt eller kommer til skade.

1. Monter altid beskyttelseskappen på kniven, når

- klipperen skal opbevares. Berør ikke knivens tænder – de er skarpe.
2. Holdes væk fra korroderende stoffer.
 3. Rengør knivene efter brug.
 4. Opbevar klipperen på et tørt sted, hvor den er utilgængelig for børn og andre uvedkommende personer.

TEKNISK DATA

Type **KG262 KG262.X (250-299- udpegnig af maskiner, repræsentant for ledningsfri Hækklipper)**

	KG262 KG262.X **
Voltage	60 V  Max ***
Hastighed uden belastning	3400 /min
Klingelængde	64 cm (25")
Kantskærer	61 cm (24")
Tandafstand	34 mm (1.3")
Maks. skærediameter	27 mm (1")
Maskinens (Bare værktøjer)	3.03 kg (6.68 lbs)

** X = 1-999, A-Z, M1-M9 er kun til forskellige kunder, der er ingen sikkerhedsrelaterede ændringer mellem disse modeller


*** Spænding målt uden belastning. Indledende batterispænding når højest 60 volt. Nominel spænding er 54 volt.

ANBEFALEDE BATTERIER OG OPLADERE

Kategori	typen	Kapacitet
60V batteri	KA3001	2.5 Ah
60V oplader	KA3713	3.0 A

Vi anbefaler, at du køber tilbehør fra den butik, hvor værktøjet sælges. Se tilbehørspakken for flere detaljer. Butikspersonale kan hjælpe og rådgive dig.

STØJINFORMATION


A-vægtet lydtryksniveau	L_{PA} : 85.12 dB(A) K_{PA} = 3 dB(A)
A-vægtet lydeffektniveau	L_{WA} : 96.12 dB(A) K_{WA} = 3 dB(A)
Bær høreværn	

VIBRATIONSINFORMATION

Den totale værdi for vibration målt ifølge EN 62841:

Typisk vægtet vibration: $a_n = 2.16 \text{ m/s}^2$

Usikkerhed $K = 1.5 \text{ m/s}^2$

 Den angivne vibrationstotalværdi og den deklarerede støjemissionsværdi er målt i overensstemmelse med en standard testmetode og kan bruges til at sammenligne et værktøj med et andet.


Den angivne vibrationenstotalværdi og den angivne støjemissionsværdi kan også anvendes i en foreløbig vurdering af eksponeringen.

⚠ ADVARSEL: Vibrationer og støjemissioner under selve brugen af elværktøjet kan afvige fra den deklarerede værdi afhængigt af, hvordan værktøjet bruges, især hvad slags emne behandles afhængigt af følgende eksempler og andre variationer af, hvordan værktøjet bliver brugt:
Hvordan værktøjet bruges og materialerne skæres eller børes.
Værktøjets stand og vedligeholdelse.
Anvendelse af korrekt tilbehør og kontrol med, at det er skarpt og i en i det hele taget god tilstand.
Hvor kraftigt, der holdes fast i håndtaget og, om der benyttes antivibrationsudstyr.
Om værktøjet anvendes i henhold til dets konstruktion og nærværende anvisninger.

Værktøjet kan medføre et hånd/arm-vibrationssyndrom, hvis det ikke bruges på rigtig måde.

⚠ ADVARSEL: En vurdering af udsættelsesgraden under det aktuelle brug skal omfatte alle dele af arbejds cyklussen, herunder antallet af gange værktøjet slås til og fra, og tomgangsdriften uden for selve arbejdsopgaven. Dette kan afgørende reducere udsættelsesniveauet i den samlede arbejdsperiode. Hjælper med at minimere risikoen for vibrationer og støjeksposering.
Brug **ALTID** skarpe mejsler, bor og blade.
Vedligehold værktøjet i overensstemmelse med disse instruktioner og hold det korrekt smurt (hvor det er nødvendigt).
Hvis værktøjet skal bruges regelmæssigt, skal du investere i anti-vibrations- og støj tilbehør.
Planlæg dit arbejde, så du kan fordele arbejde med kraftige vibrationer over flere dage.

MILJØBESKYTTELSE

 Affald af elektriske produkter må ikke bortskaffes sammen med husholdningsaffald. Indlever så vidt muligt produktet til genbrug. Kontakt de lokale myndigheder eller forhandleren, hvis du er i tvivl.

KONFORMITETSERKLÆRING

Vi,
Positec Germany GmbH
Postfach 32 02 16, 50796 Cologne, Germany

Erklærer herved, at produktet
Description **Batteridrevet Hækklipper**
Type **KG262 KG262.X (250-299 - udpegning af maskiner, repræsentant for ledningsfri Hækklipper)**
Funktion **Trimmer hække og buske**

Er i overensstemmelse med følgende direktiver:
2006/42/EC
2014/30/EU
2011/65/EU&(EU)2015/863
2000/14/EC ændret ved 2005/88/EC

2000/14/EC ændret ved 2005/88/EC:
- Konformitetstestprocedure pr. **Annex V**
- Målt niveau for lydeffekt **96.12 dB(A)**
- Deklareret garanteret niveau for lydeffekt **97 dB(A)**

Standarder i overensstemmelse med,
EN 62841-1
EN 62841-4-2
EN ISO 3744
EN IEC 55014-1
EN IEC 55014-2
EN IEC 63000

Personen, autoriseret til at udarbejde den tekniske fil,
Navn Marcel Filz
Adresse Positec Germany GmbH
Postfach 32 02 16, 50796 Cologne, Germany



2023/09/06
Allen Ding
Vicechef, Ingeniør, Test & Certificering
Positec Technology (China) Co., Ltd
18, Dongwang Road, Suzhou Industrial
Park, Jiangsu 215123, P. R. China



Copyright © 2023, Positec. All Rights Reserved.
AR01687802