

Kress



40V Cordless Blower	EN	P02
40V Akku-Laubblasgerät	D	P12
Souffleur sans fil 40 V	F	P24
Soffiatore senza filo da 40 V	I	P35
Soplador inalámbrico de 40 V	ES	P46
40V Accu Blower	NL	P59
40V Ledningsfri blæser	DK	P68
Аккумуляторная воздуходувка 40В	RU	P78
40V Sladdlös lövblås	SV	P90
KG584 KG584.X		

TABLE OF CONTENTS

Introduction.....	2
Component List.....	3
Safety Instructions.....	4
Assembly & Operation.....	8
Cleaning.....	10
Technical Data.....	11
Environmental Protection.....	11
Declaration of Conformity.....	11

INTRODUCTION

Dear Customer,

EN

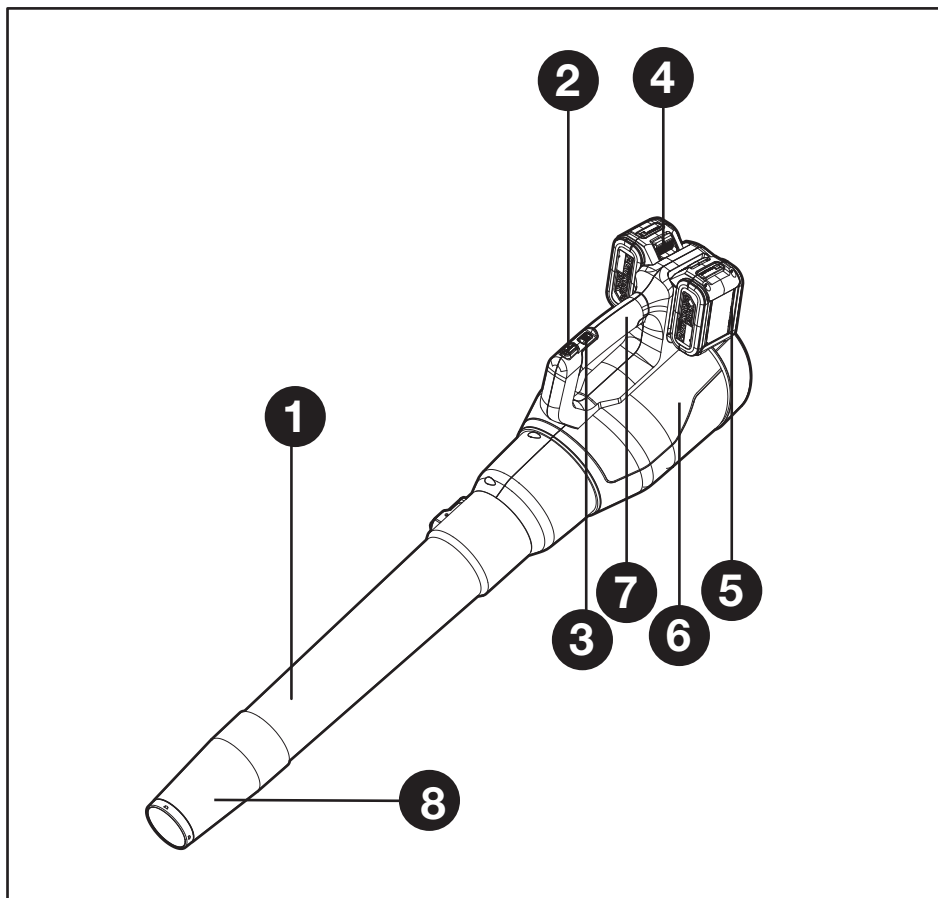
Thank you for buying this Kress product. We are dedicated to developing high quality products to meet your landscaping requirements.

The Kress brand is synonymous with premium quality service. Over the years of your products life, if you have any questions or concerns about your product, please contact your location of purchase or our Customer Service Team for assistance.

We are confident you will enjoy working with your Kress product for years to come.

INTENDED USE

The blower is intended for residential use only. Use the blower outdoors to move yard debris as needed.




COMPONENT LIST

- | | |
|----|---------------------------------|
| 1. | BLOWER TUBE |
| 2. | TURBO BUTTON FOR POWER BOOSTING |
| 3. | ON/OFF SWITCH |
| 4. | BATTERY PACK RELEASE BUTTON * |
| 5. | BATTERY PACK * |
| 6. | MOTOR HOUSING * |
| 7. | HANDLE |
| 8. | CONCENTRATOR NOZZLE * |

* Not all the accessories illustrated or described are included in standard delivery.

PRODUCT SAFETY

 **WARNING Read all safety warnings and all instructions.** Failure to follow the warnings and instructions may result in electric shock, fire and/or serious injury.

Save all warnings and instructions for future reference.

The appliance is only to be used with the power supply unit provided with the appliance.

IMPORTANT
READ CAREFULLY BEFORE USE.
KEEP FOR FUTURE REFERENCE.

Safe operating practices

1) TRAINING

- a) Read the instructions carefully. Be familiar with the controls and the correct use of the machine.
- b) Never allow children, persons with reduced physical, sensory or mental capabilities or lack of experience and knowledge or people unfamiliar with these instructions to use the machine, local regulations may restrict the age of the operator.
- c) Never operate the machine

while people, especially children, or pets are nearby.

- d) Keep in mind that the operator or user is responsible for accidents or hazards occurring to other people or their property.

2) PREPARATION

- a) While operating the machine, always wear substantial footwear and long trousers. Do not operate the machine when barefoot or wearing open sandals. Avoid wearing clothing that is loose fitting or that has hanging cords or ties.
- b) Do not wear loose clothing or jewellery that can be drawn into the air inlet. Keep long hair away from the air inlets.
- c) Obtain ear protection and safety glasses. Wear them at all times while operating the machine.
- d) Operate the machine in a recommended position and only on a firm, level surface.
- e) Do not operate the machine on a paved or gravel surface where ejected material could cause injury.
- f) Before using, always

visually inspect to see, that the fasteners are secure, the housing is undamaged and that guards and screens are in place.

Replace worn or damaged components in sets to preserve balance. Replace damaged or unreadable labels.

3) OPERATION

a) Before starting the machine, make certain that the feeding chamber is empty.

b) Keep your face and body away from the feed intake opening.

c) Do not allow hands or any other part of the body or clothing inside the feeding chamber, discharge chute, or near any moving part.

d) Keep proper balance and footing at all times. Do not overreach. Never stand at a higher level than the base of the machine when feeding material into it.

e) Always stand clear of the discharge zone when operating this machine.

f) If the machine should start making any unusual noise or vibration, immediately shut off the power source and allow the machine to stop. Remove the battery

pack from the machine and take the following steps before restarting and operating the machine:

i) inspect for damage;

ii) replace or repair any damaged parts;

iii) check for and tighten any loose parts.

g) Do not allow processed material to build up in the discharge zone; this may prevent proper discharge and can result in kickback of material through the intake opening.

h) If the machine becomes clogged, shut-off the power source and remove the battery pack from the machine before cleaning debris.

i) Never operate the machine with defective guards or shields, or without safety devices.

j) Keep the power source clean of debris and other accumulations to prevent damage to the power source or possible fire.

k) Do not transport this machine while the power source is running.

l) Always disconnect the machine from the power supply (e.g. remove the battery pack from the machine)

- whenever you leave the machine,
 - before clearing blockages or unclogging chute,
 - before checking, cleaning or working on the machine.
- m) Avoid using the machine in bad weather conditions especially when there is a risk of lightning.

4) MAINTENANCE AND STORAGE

- a) keep all nuts, bolts and screws tight to be sure the appliance is in safe working condition.
- b) Replace worn or damaged parts.
- c) Use only genuine replacement parts and accessories.
- d) Store the machine in a dry place out of the reach of children.
- e) When the machine is stopped for servicing, inspection, or storage, or to change an accessory, shut off the power source, disconnect the machine from the supply and make sure that all moving parts are come to a complete stop. Allow the machine to cool before making any inspections, adjustments, etc. Maintain the machine with care and keep it clean.

- f) Store the machine in a dry place out of the reach of children.
- g) Always allow the machine to cool before storing.
- h) Never attempt to override the interlocked feature of the guard.







SAFETY WARNINGS FOR BATTERY PACK

- a) Do not dismantle, open or shred cells or battery pack.**
- b) Do not short-circuit a battery pack. Do not store battery packs haphazardly in a box or drawer where they may short-circuit each other or be short-circuited by conductive materials.** When battery pack is not in use, keep it away from other metal objects, like paper clips, coins, keys, nails, screws or other small metal objects, that can make a connection from one terminal to another. Shorting the battery terminals together may cause burns or a fire.
- c) Do not expose battery pack to heat or fire. Avoid storage in direct sunlight.**
- d) Do not subject battery pack to mechanical shock.**

- e) In the event of battery leaking, do not allow the liquid to come into contact with the skin or eyes. If contact has been made, wash the affected area with copious amounts of water and seek medical advice.
- f) Keep battery pack clean and dry.
- g) Wipe the battery pack terminals with a clean dry cloth if they become dirty.
- h) Battery pack needs to be charged before use. Always refer to this instruction and use the correct charging procedure.
- i) Do not maintain battery pack on charge when not in use.
- j) After extended periods of storage, it may be necessary to charge and discharge the battery pack several times to obtain maximum performance.
- k) Recharge only with the charger specified by Kress. Do not use any charger other than that specifically provided for use with the equipment.
- l) Do not use any battery pack which is not designed for use with the equipment.
- m) Keep battery pack out of the reach of children.
- n) Retain the original product literature for future reference.
- o) Remove the battery from the equipment when not in use.
- p) Dispose of properly.
- q) Do not mix cells of different manufacture, capacity, size or type within a device.
- r) Keep the battery away from microwaves and high pressure.

SYMBOL

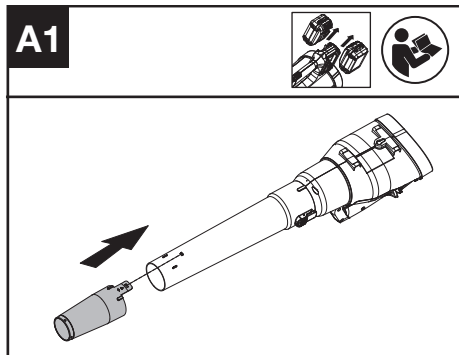
	Read the operator's manual
	Wear eye protection
	Wear ear protection
	Do not expose to rain
	Warning of hazard

	Keep bystanders away
	Make sure the battery is removed prior to changing accessories.
	Waste electrical products must not be disposed of with household waste. Please recycle where facilities exist. Check with your local authorities or retailer for recycling advice.
	Li-Ion battery This product has been marked with a symbol relating to 'separate collection' for all battery packs and battery pack. It will then be recycled or dismantled in order to reduce the impact on the environment. Battery packs can be hazardous for the environment and for human health since they contain hazardous substances.
	Do not burn
	Batteries may enter water cycle if disposed improperly, which can be hazardous for ecosystem. Do not dispose of waste batteries as unsorted municipal waste.

ASSEMBLY AND OPERATION

BEFORE OPERATION

Concentrator nozzle Installation (See Fig. A1)

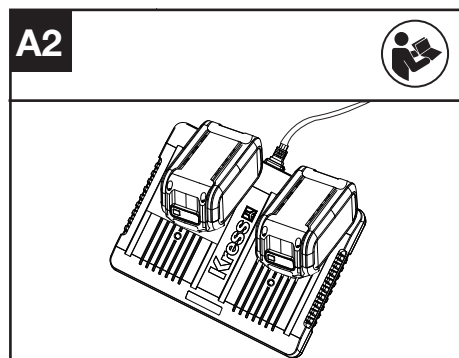


Charging the battery pack (See Fig. A2)

NOTE:

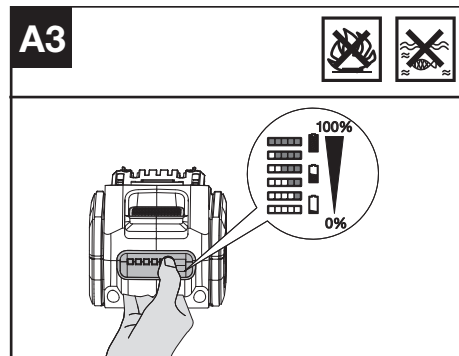
- The batteries are shipped uncharged. Each battery must be fully charged before the first use.
- Always fully charge the two batteries at same time. More details can be found in charger's manual.

WARNING! The charger and battery pack are specially designed to work together, so do not attempt to use any other devices. Never insert or allow metallic objects into your charger or battery pack connections because of an electrical failure and hazard will occur.



Checking the battery condition (See Fig. A3)

NOTE: Fig. A3 only applies for the battery pack with battery indicator light.

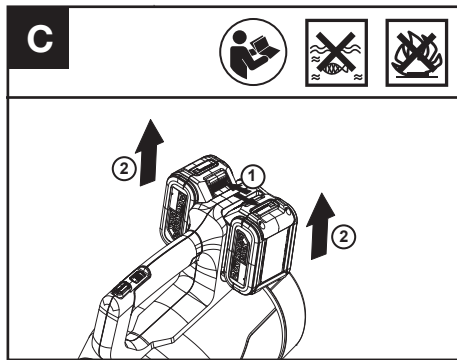
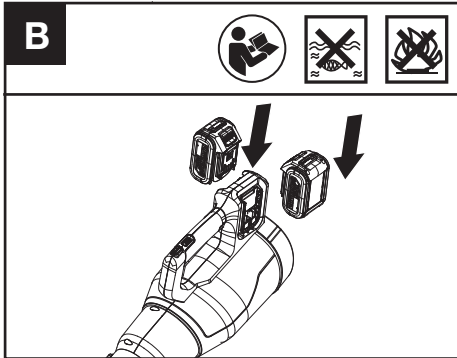


Installing & removing the battery pack (See Fig. B, C)

NOTE:

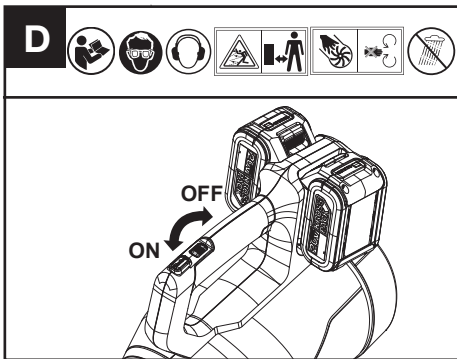
- This machine will only run when 2 batteries are installed. It is recommended to use the same two batteries and charge the two batteries at the same time.

- When you use two batteries with different power, the machine will only run to the level of the lowest charged battery.



OPERATION
Starting & Stopping (See Fig. D)

WARNING! The tool runs for a few seconds after it has been switched off. Let the motor come to a complete standstill before setting the tool down.



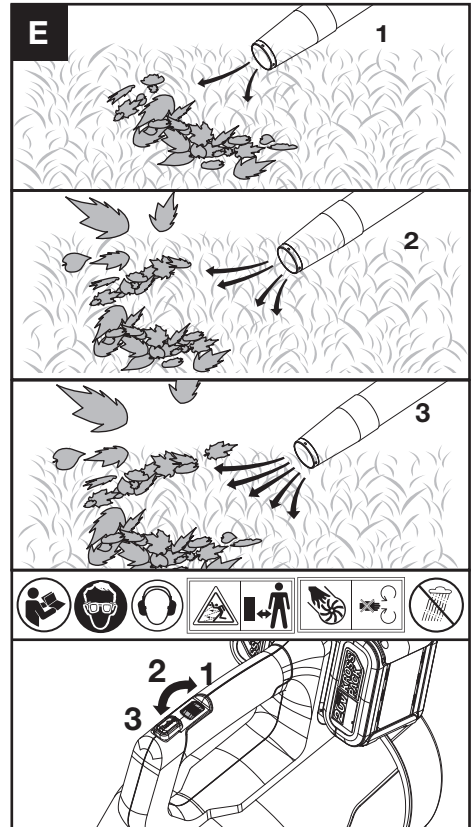
Adjusting the blowing speed / air volume with 3-speed switch (See Fig. E)

USER TIPS

- Hold the blower tube approximately 8" above the ground when operating the tool. Use a sweeping motion from side to side.
- After blowing the debris/leaves into a pile, it is easy to dispose of the pile.

Caution!

- Do not blow hard objects such as nails, bolts, or rocks.
- Do not operate the blower near bystanders or pets.
- Use extra care when cleaning debris from stairs or other tight areas.
- Wear safety goggles or other suitable eye protection, long pants, and shoes.



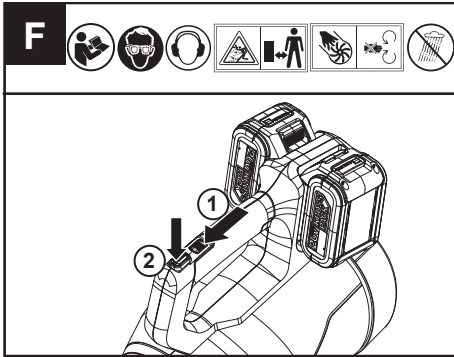
Turbo button for power boosting

NOTE:

- Turbo button for power boosting can increase air flow significantly, and it can be used for clearing heavy or wet debris.
- First switch on the blower and select a speed control (speed 1, 2 or 3), then depress the turbo button and hold it.

Release the Turbo button, the blower will return to

the previously selected speed.



FOR BATTERY TOOLS

The ambient temperature range for the use and storage of tool and battery is 0 °C-45 °C (32 °F-113 °F). The recommended ambient temperature range for the charging system during charging is 0 °C-40 °C (32 °F-104 °F).

CLEANING THE TOOL

Clean the tool regularly.

WARNING! Keep your product dry. Under no circumstances spray with water.

- To clean the tool, use only mild soap and a damp cloth.
- Do not use any type of detergent, cleaner or solvent which may contain chemicals that could seriously damage the plastic.
- Self lubricating bearings are used in your product, therefore lubrication is not required.

TECHNICAL DATA

Type **KG584 KG584.X** (5 -designation of machinery, representative of Cordless Blower)

	KG584 KG584.X **
Voltage	40 V MAX. (2x20 V Max.) ***
Maximum air volume	900 m³/h
Maximum air velocity	290 km/h (with concentrator nozzle)
Machine weight (Bare tool)	1.9 kg

**X=1-999, A-Z, M1-M9 there are only used for different customers, there are no safe relevant changes between these models.

***Voltage measured without workload. Initial battery voltage reaches maximum of 20 volts. Nominal voltage is 18 volts.

SUGGESTED BATTERIES AND CHARGERS

Category	Type	Capacity
20V Battery	KAB04	4.0Ah
20V Charger	KAC04	4.0A

We recommend that you purchase your accessories from the same store that sold you the tool. Refer to the accessory packaging for further details. Store personnel can assist you and offer advice.

NOISE INFORMATION

A weighted sound pressure $L_{pA} = 71.18 \text{ dB(A)}$

$K_{pA} = 3.0 \text{ dB(A)}$

A weighted sound power $L_{WA} = 80.1 \text{ dB(A)}$

$K_{WA} = 3.0 \text{ dB(A)}$

Wear ear protection.



VIBRATION INFORMATION

Typical weighted vibration $a_h < 1.24 \text{ m/s}^2$

Uncertainty $K=3 \text{ m/s}^2$

The declared vibration total value may be used for comparing one tool with another, and may also be used in a preliminary assessment of exposure.

WARNING! The vibration emission value during actual use of the power tool can differ from the declared value depending on the ways in which the tool is used dependant on the following examples and other variations on how the tool is used:
How the tool is used and the materials being cut or drilled.

The tool being in good condition and well maintained.

Using the correct accessory for the tool and ensuring it is sharp and in good condition.

The tightness of the grip on the handles and if any anti vibration accessories are used.

And the tool is being used as intended by its design and these instructions.

This tool may cause hand-arm vibration syndrome if its use is not adequately managed

WARNING! To be accurate, an estimation of exposure level in the actual conditions of use should also take account of all parts of the operating cycle such as the times when the tool is switched off and when it is running idle but not actually doing the job. This may significantly reduce


the exposure level over the total working period.

Helping to minimise your vibration exposure risk. ALWAYS use sharp chisels, drills and blades. Maintain this tool in accordance with these instructions and keep well lubricated (where appropriate). If the tool is to be used regularly then invest in anti vibration accessories. Plan your work schedule to spread any high vibration tool use across a number of days.

Positec Technology (China) Co., Ltd
18, Dongwang Road, Suzhou Industrial
Park, Jiangsu 215123, P. R. China

ENVIRONMENTAL PROTECTION



Waste electrical products must not be disposed of with household waste. Please  recycle where facilities exist. Check with your local authorities or retailer for recycling advice.

DECLARATION OF CONFORMITY

We,
Positec Germany GmbH
Postfach 32 02 16, 50796 Cologne, Germany

Declare that the product
Description **Kress Cordless blower**
Type **KG584 KG584.X (5 - designation of machinery, representative of Cordless blower)**
Function **blowing**

Complies with the following Directives:
2006/42/EC, 2014/30/EU
2011/65/EU&(EU)2015/863
2000/14/EC amended by 2005/88/EC

2000/14/EC amended by 2005/88/EC:
- Conformity Assessment Procedure as per **Annex V**
- Measured Sound Power Level **80.1 dB(A)**
- Declared Guaranteed Sound Power Level **81 dB(A)**

Standards conform to:
EN 60335-1, EN 50636-2-100, EN 62233, EN ISO 3744, EN 55014-1, EN 55014-2

The person authorized to compile the technical file,
Name Marcel Filz
Address Positec Germany GmbH
Postfach 32 02 16, 50796 Cologne, Germany



2022/12/9
Allen Ding
Deputy Chief Engineer, Testing & Certification

INHALTSVERZEICHNIS

Einführung.....	12
Komponenten.....	13
Sicherheitshinweise.....	14
Montage & Bedienung.....	19
Reinigung.....	21
Spezifikationen.....	21
Umweltschutz.....	22
Konformitätserklärung.....	22

EINFÜHRUNG

Sehr geehrter Kunde,

D

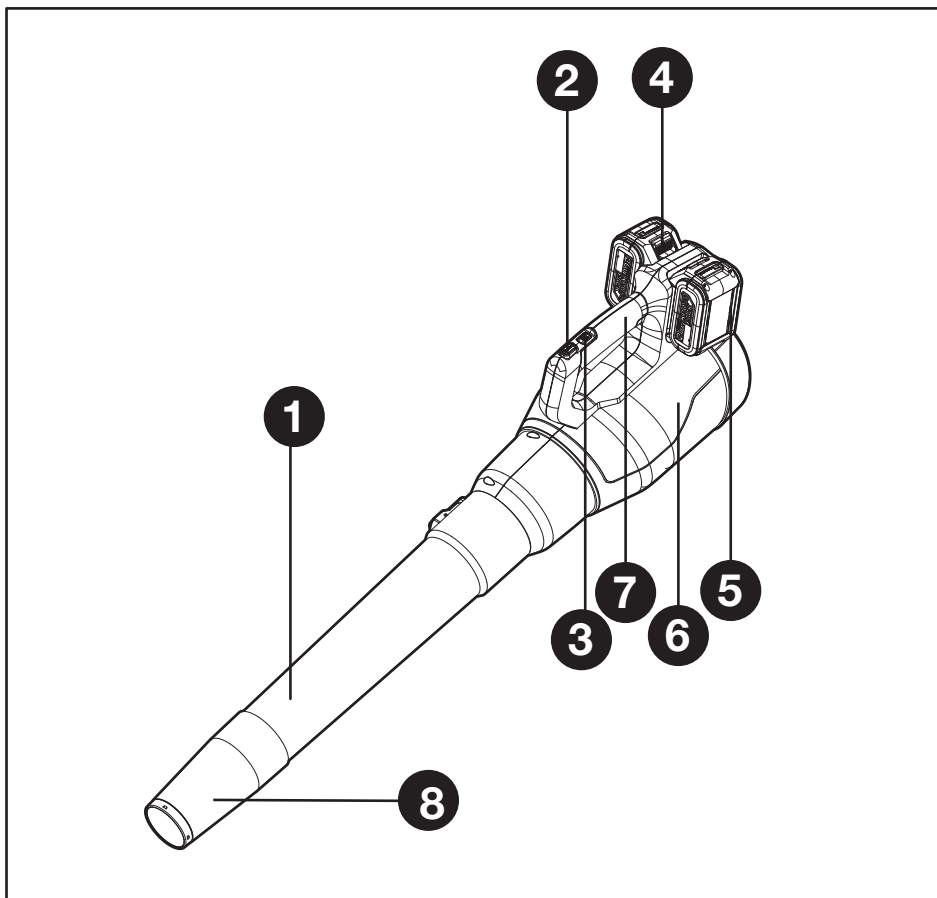
Vielen Dank, dass Sie dieses Kress-Produkt gekauft haben. Wir sind bestrebt, qualitativ hochwertige Produkte zu entwickeln, um Ihren Anforderungen im Bereich Rasen und Garten gerecht zu werden.

Die Marke Kress steht für erstklassigen Service. Wenn Sie im Laufe der Jahre Fragen oder Bedenken zu Ihrem Produkt haben, wenden Sie sich bitte an Ihren Einkaufsstandort oder an unseren Kundenservice.

Wir sind zuversichtlich, dass Sie in den kommenden Jahren die Arbeit mit Ihrem Kress-Produkt genießen werden.

BESTIMMUNGSGEMÄSSER GEBRAUCH

Das Gebläse ist nur für den Hausgebrauch bestimmt. Verwenden Sie es im Freien, um Gartenabfälle zu bewegen.



KOMPONENTEN

1. GEBLÄSEROHR
2. TURBO-TASTE FÜR LEISTUNGSSTEIGERUNG
3. EIN/AUS-SCHALTER
4. AKKUFREIGABETASTEN *
5. AKKU *
6. MOTORGEHÄUSE *
7. HINTEN
8. DÜSE *

* Abgebildetes oder beschriebenes Zubehör gehört teilweise nicht zum Lieferumfang.

PRODUKTSICHERHEIT



WARNUNG

Lesen Sie alle Sicherheitshinweise und Anweisungen. *Versäumnisse bei der Einhaltung der*

Sicherheitshinweise und Anweisungen können elektrischen Schlag, Brand und/oder schwere Verletzungen verursachen.

Bewahren Sie alle Sicherheitshinweise und Anweisungen für die Zukunft auf.

Das Gerät darf nur mit dem mitgelieferten Netzteil verwendet werden.

D

WICHTIG VOR GEBRAUCH BITTE GENAU DURCHLESEN FÜR SPÄTERE BEZUGNAHME AUFBEWAHREN

Sichere Arbeitsverfahren

1) Training

- a) Die Anweisungen aufmerksam durchlesen. Machen Sie sich mit den Bedienelementen und dem vorschriftsmäßigen Gebrauch dieses Gerät vertraut.
- b) Lassen Sie niemals Kinder, Personen mit eingeschränkten physischen, sensorischen

oder mentalen Fähigkeiten und Erfahrung oder Personen, die nicht mit diesen Anweisungen vertraut sind, die Maschine bedienen. Lokale Vorschriften können das Alter des Bedieners einschränken.

- c) Benutzen Sie die Maschine niemals während sich Personen, insbesondere Kinder, oder Tiere in unmittelbarer Nähe aufhalten.
- d) Die Bedienperson bzw. der Benutzer ist für Unfälle oder Schäden an anderen Menschen oder deren Eigentum verantwortlich.

2) Vorbereitung

- a) Tragen Sie beim Mähen stets festes Schuhwerk und eine lange Hose. Bedienen Sie die Maschine nicht barfuß oder mit offenen Sandalen. Vermeiden Sie das Tragen von Kleidung, die lose sitzt oder hängende Schnüren hat, bzw. von Krawatten.
- b) Tragen Sie keine lose Kleidung oder Schmuck, der in den Lufteinlass gezogen werden kann. Halten Sie langes Haar von den Lufteinlässen fern.
- c) Tragen Sie einen

- Gehörschutz und eine Schutzbrille. Tragen Sie diese stets, wenn Sie mit der Maschine arbeiten.
- d) Bedienen Sie die Maschine in der empfohlenen Position und nur auf einem festen, ebenen Untergrund.
- e) Betreiben Sie die Maschine niemals auf einem gepflasterten Untergrund oder im Kies, da das ausgeworfene Material zu Verletzungen führen kann.
- f) Überprüfen Sie vor der Anwendung stets visuell, dass das Befestigungselemente gesichert sind, dass das Gehäuse unbeschädigt ist und die Schutzvorrichtungen bzw. Abdeckungen installiert sind. Ersetzen Sie verschlissene oder beschädigte Klingen und Schrauben in Sätzen, um das Gleichgewicht beizubehalten. Ersetzen Sie beschädigte oder unleserliche Aufkleber.
- 3) Betrieb**
- a) Stellen Sie vor dem Starten der Maschine sicher, dass die Vorschubkammer leer ist.
- b) Halten Sie das Gesicht und andere Körperteile von der Einlassöffnung fern.
- c) Verhindern Sie, dass Hände oder andere Körperteile in die Vorschubkammer, in den Auswurf oder in die Nähe von anderen beweglichen Teilen gelangen.
- d) Sorgen Sie stets für Gleichgewicht und festen Stand. Vermeiden Sie anormale Körperhaltungen. Stehen Sie beim Zuführen von Material zur Maschine niemals über dem Maschinensockel.
- e) Halten Sie sich beim Betrieb dieser Maschine immer vom Auswurfbereich fern.
- f) Wenn die Maschine ungewöhnliche Geräusche macht oder zu vibrieren beginnt, schalten Sie die Stromquelle sofort ab und lassen Sie die Maschine zum Stillstand kommen. Entfernen Sie den Akku aus der Maschine und treffen Sie folgende Vorkehrungen, bevor Sie die Maschine wieder in Betrieb nehmen und bedienen.
- i) suchen Sie nach Schäden;
- ii) ersetzen oder reparieren Sie alle beschädigten Teile;
- iii) suchen Sie nach losen Teilen, und ziehen Sie diese fest.

g) Verhindern Sie, dass sich das verarbeitete Material im Auswurfbereich ansammeln kann; dadurch wird der ordnungsgemäße Auswurf verhindert und es kann zum Rückschlagen des Materials durch die Einlassöffnung führen.

h) Falls die Maschine verstopft, schalten Sie die Stromquelle ab und entfernen Sie das Akkupack aus der Maschine, bevor Sie die Rückstände entfernen.

i) Arbeiten Sie niemals mit dem Gerät, wenn Schutzeinrichtungen oder Abschirmungen beschädigt sind. Benutzen Sie das Gerät niemals ohne angebrachte Sicherheitseinrichtungen.

j) Halten Sie die Stromquelle frei von Rückständen und anderen Ansammlungen, um Schäden an der Stromquelle oder mögliche Brände zu verhindern.

k) Transportieren Sie diese Maschine nicht, während die Stromversorgung eingeschaltet ist.

l) Klemmen Sie die Maschine stets von der Stromversorgung ab(z. B. entfernen Sie das Akkupack aus der Maschine)

-jedes Mal, wenn Sie die Maschine verlassen,
-bevor Sie Blockaden oder Verstopfungen im Auswurf entfernen,
-sie die Maschine überprüfen, säubern oder an der Maschine arbeiten;

m) Vermeiden Sie die Nutzung der Maschine bei schlechtem Wetter, besonders wenn die Gefahr eines Blitzschlags besteht.

4) Wartung und aufbewahrung

a) Den Festsitz aller Schrauben, Muttern und Bolzen sicherstellen, um zu gewährleisten, dass sich der Rasenmäher in einem betriebssicheren Zustand befindet.

b) Abgenutzte oder beschädigte Teile sicherheitshalber auswechseln.

c) Verwenden Sie ausschließlich Original-Ersatzteile und Originalzubehör.

d) Lagern Sie die Maschine an einem trockenen Ort und außerhalb der Reichweite von Kindern.

e) Wenn die Maschine für Wartungsarbeiten, Inspektionen, zur Lagerung oder zum Wechseln eines

Zubehörs angehalten wird, schalten Sie die Stromquelle aus, klemmen Sie die Maschine von der Stromversorgung ab und stellen Sie sicher, dass alle beweglichen Teile vollständig zum Stillstand gekommen sind. Lassen Sie die Maschine abkühlen, bevor Sie Inspektionen, Einstellungen, usw. durchführen. Warten Sie die Maschine sorgfältig, und halten Sie diese sauber.

- f) Lagern Sie die Maschine an einem trockenen Ort und außerhalb der Reichweite von Kindern.
- g) Lassen Sie die Maschine vor der Lagerung stets abkühlen.
- h) Versuchen Sie nie, die Verriegelungsfunktion der Schutzvorrichtung zu umgehen.

SICHERHEIT HINWEISE FÜR AKKUPACK

- a) Zellen bzw. Akkupack nicht zerlegen, öffnen oder zerdrücken.
- b) Akkupack nicht kurzschließen. Akkupacks nicht wahllos in einer Schachtel oder Schublade aufbewahren, wo sie

einander kurzschließen oder durch andere leitfähige Materialien kurzgeschlossen werden könnten. Bei Nichtverwendung des Akkupacks ist dieses von Metallgegenständen fernzuhalten, wie etwa Büroklammern, Münzen, Nägeln, Schrauben oder anderen kleinen Metallgegenständen, wo sich die Batterieklemmen berühren könnten. Das Kurzschließen der Batterieklemmen kann Verbrennungen bzw. einen Brand verursachen.







- c) Zellen bzw. Akkupacks nicht Hitze oder Feuer aussetzen. Lagerung in direktem Sonnenlicht vermeiden.
- d) Akkupack nicht mechanischen Stößen aussetzen.
- e) Im Fall, dass Flüssigkeit aus dem Akku austritt, darf diese nicht in Kontakt mit der Haut oder den Augen kommen. Sollte dies dennoch geschehen, den betroffenen Bereich sofort mit viel Wasser spülen und einen Arzt aufsuchen.
- f) Akkupack sauber und

- trocken halten.
- g) Sollten die Klemmen des Akkupacks schmutzig werden, diese mit einem sauberen, trockenen Tuch abwischen.
- h) Akkupack muss vor Gebrauch aufgeladen werden. Immer diese Anweisungen beachten und den korrekten Ladevorgang ausführen.
- i) Akkupack bei Nichtverwendung nicht längere Zeit aufladen lassen.
- j) Nach längerer Lagerung des Gerätes ist es eventuell notwendig, die Zellen oder das Akkupack mehrere Male aufzuladen und zu entladen, um eine optimale Leistung zu erhalten.
- k) Nur mit dem von Worx bezeichneten Ladegerät aufladen. Kein Ladegerät verwenden, das nicht ausdrücklich für den Gebrauch mit dem Gerät vorgesehen ist.
- l) Kein Akkupack verwenden, das nicht für den Gebrauch mit dem Gerät vorgesehen ist.
- m) Akkupacks von Kindern fernhalten.
- n) Die originalen Produktunterlagen zum

- späteren Nachschlagen aufbewahren.
- o) Den Akku bei Nichtverwendung aus dem Gerät nehmen.
- p) Ordnungsgemäß entsorgen.
- q) Versuchen Sie nicht Akkus von anderen Herstellern, mit anderen Kapazitäten oder andere Akku-Typen zu verwenden.
- r) Setzen Sie den Akku dem schädlichen Einfluss von Mikrowellen oder dem hohen Druck nie aus.

SYMBOLE

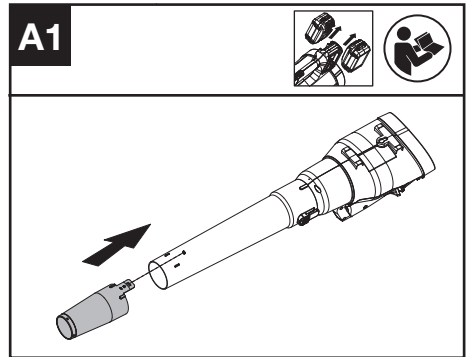
	<p>Bedienungsanleitung lesen</p>
	<p>Tragen Sie eine Schutzbrille</p>
	<p>Tragen Sie einen Gehörschutz</p>
	<p>Vor Regen schützen</p>
	<p>Warnung vor Gefahren</p>

	<p>Halten Sie einen Sicherheitsabstand zu Unbeteiligten ein.</p>
	<p>Stellen Sie sicher, dass der Akku vor dem Wechseln des Zubehörs entfernt wird.</p>
	<p>Elektroprodukte dürfen nicht mit dem normalen Haushaltsmüll entsorgt werden, sondern sollten nach Möglichkeit zu einer Recyclingstelle gebracht werden. Ihre zuständigen Behörden oder Ihr Fachhändler geben Ihnen hierzu gerne Auskunft.</p>
 <p>Li-Ion</p>	<p>Li-Ion-Akku Dieses Produkt wurde mit einem Symbol 'getrennte Sammlung' für alle Akkupacks und Akkupack gekennzeichnet. Diese Abfälle werden dann recycelt oder demontiert, um die Umweltbelastung zu verringern. Akkupacks können schädlich für die Umwelt und die menschliche Gesundheit sein, da sie schädliche Substanzen enthalten.</p>
	<p>Nicht verbrennen</p>
	<p>Wenn die Akkus unsachgemäß behandelt wird, kann sie in den Wasserkreislauf gelangen und das Ökosystem schädigen. Entsorgen Sie verbrauchte Akkus nicht über den Hausmüll.</p>

MONTAGE UND BEDIENUNG

MONTAGE

Montage der Konzentratordüse (Siehe Abb. A1)

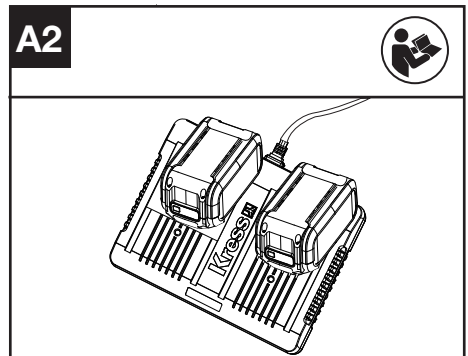


Laden des akkus (Siehe Abb. A2)

HINWEIS:

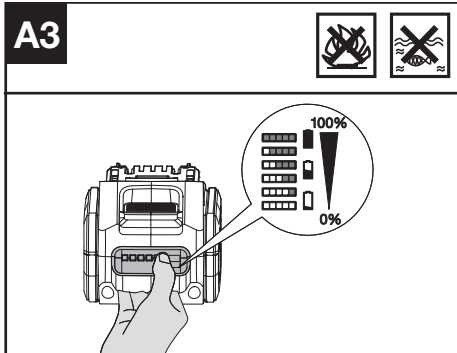
- Der Akku ist **NICHT GELADEN** und muss vor dem ersten Gebrauch aufgeladen werden.
- Laden Sie die beiden Akkus stets gleichzeitig auf. Weitere Details finden Sie im Handbuch des Ladegeräts.

! WARNUNG! Das Ladegerät und der Akku sind aufeinander abgestimmt und sollten nur gemeinsam verwendet werden. Versuchen Sie nicht, andere Geräte oder Akkus zu verwenden. Achten Sie darauf, dass keine Metallteile o. ä. die Anschlüsse des Ladegeräts oder des Akkus berühren; andernfalls kann es zu einem gefährlichen Kurzschluss kommen.



Prüfen des Akkuladestands (Siehe Abb. A3)

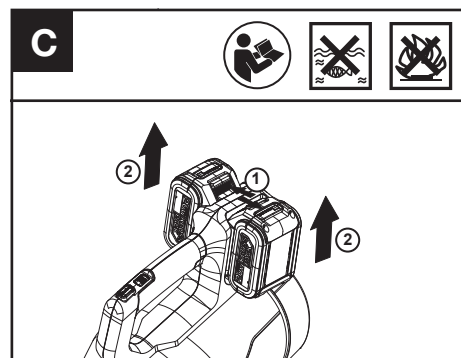
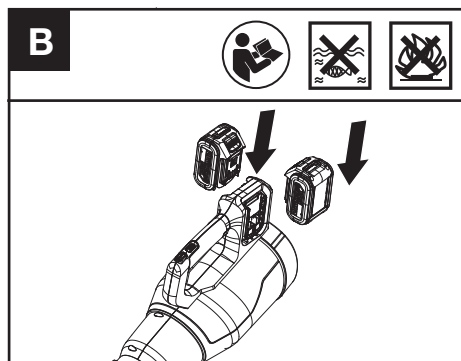
HINWEIS: Abb. A3 gilt nur für das Akkupack mit Akkustandanzeige.



Anbringen und entfernen des akkus (Siehe Abb. B, C)

HINWEIS:

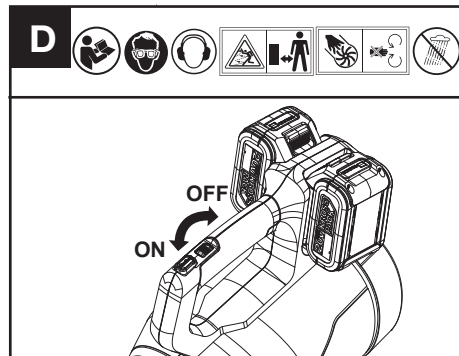
- Diese Maschine kann nur mit 2 eingelegten Batterien betrieben werden. Bitte verwenden Sie immer zwei gleiche Akkus und laden Sie diese gleichzeitig auf.
- Wenn Sie zwei Batterien mit unterschiedlichem Ladezustand benutzen, Die Maschine läuft nur mit der niedrigsten Leistungsstufe.



BEDIENUNG

Ein- und Ausschalten (Siehe Abb. D)

! Warnung! Nach dem Ausschalten läuft das Werkzeug noch ein paar Sekunden weiter. Warten Sie, bis der Motor komplett gestoppt ist, bevor Sie das Werkzeug ablegen.



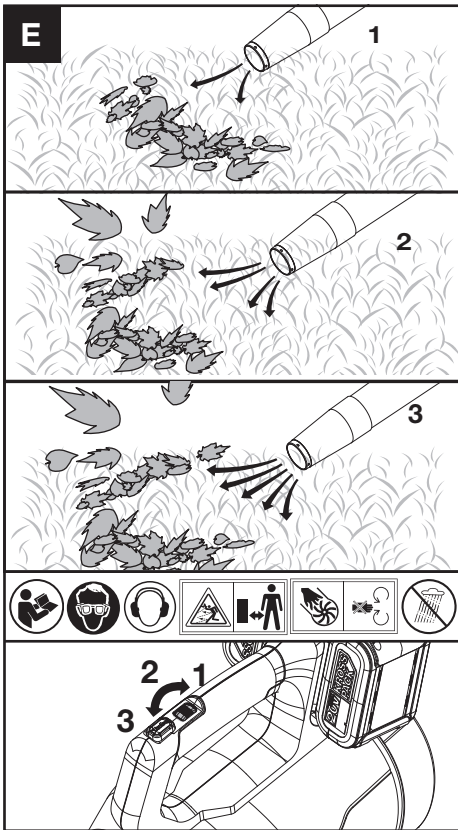
Einstellung der Ausblasgeschwindigkeit / Luftmenge mit 3-Stufen-Schalter (Siehe Abb. E)

VERWENDUNGSTIPPS

- Halten Sie das Gebläserohr ca. 8" oberhalb des Bodens, während Sie mit dem Werkzeug arbeiten. Bewegen Sie sich mit halbkreisförmigen, fegenden Bewegungen langsam vorwärts.
- Haben Sie Trümmer/Blätter mit dem Gebläse zu einem Haufen aufgeschichtet, können Sie ihn mühelos entsorgen.

! VORSICHT!

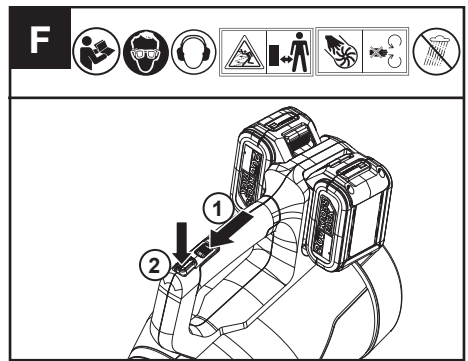
- Richten Sie das Gebläse nicht auf harte Gegenstände wie Nägel, Muttern oder Steine.
- Arbeiten Sie nicht mit dem Gebläse, wenn Passanten oder Tiere in der Nähe sind.
- Lassen Sie besondere Vorsicht walten, wenn Sie auf Treppen oder an anderen beengten Stellen arbeiten.
- Tragen Sie eine Schutzbrille oder einen anderen geeigneten Augenschutz, lange Hosen und feste Schuhe.



Turbo-Taste für Leistungssteigerung HINWEIS:

- Die Turbo-Taste zur Leistungssteigerung kann den Luftstrom erheblich steigern und diese kann zum Entfernen von schweren oder nassen Rückständen eingesetzt werden.
- Schalten Sie zuerst das Gebläse ein und wählen Sie eine Drehzahlregelung (beliebige Geschwindigkeit von 1,2 bis 3), drücken Sie dann die Turbo-Taste und halten Sie diese.

Lassen Sie die Turbo-Taste los, damit das Gebläse in die zuvor eingestellte Drehzahl zurückkehrt.



BEI AKKUWERKZEUGEN

Der Umgebungstemperaturbereich für Werkzeug und Akku bei der Anwendung und Lagerung liegt zwischen 0°C und 45°C.

Der empfohlene Umgebungstemperaturbereich für die Ladestation liegt zwischen 0°C und 40°C.

REINIGEN DES WERKZEUGS

Reinigen Sie das Werkzeug regelmäßig.

- ! WARNUNG!** Achten Sie darauf, dass Ihr Produkt trocken bleibt. Unter keinen Umständen mit Wasser besprühen.
- Verwenden Sie zur Reinigung des Werkzeugs nur eine milde Seifenlauge und ein weiches Tuch.
 - Verwenden Sie kein Reinigungs- oder Lösungsmittel, das Chemikalien enthält, die das Plastik stark beschädigen können.
 - Selbstfettende Kugellager befinden sich in Ihrem Produkt, daher braucht es nicht eingefettet zu werden.

TECHNISCHE DATEN

Typ KG584 KG584.X (5 - Bezeichnung der Maschine, Vertreter des Akku-Laubblasgeräts)

	KG584 KG584.X **
Spannung	40 V --- MAX. (2x20 V Max.) ***
Volumen de aire máximo	900 m³/h
Maximalen Luftgeschwindigkeit	290 km/h (with concentrator nozzle)
Gewicht (Ohne Akku)	1.9 kg

** X=1-999, A-Z, M1-M9 werden nur für verschiedene Kunden verwendet, es gibt keine sicherheitsrelevanten

D

Veränderungen zwischen diesen Modellen.
 ***Spannung ohne Arbeitslast gemessen.
 Anfangsakkuspannung erreicht maximal 20 Volt.
 Nennspannung ist 18 Volt.

EMPFOHLENE AKKUS UND LADEGERÄTE

Kategorie	Typ	Kapazität
20V Akkupack	KAB04	4.0 Ah
20V Lader	KAC04	4.0 A

Wir empfehlen, dass Sie Ihr Zubehör in dem Geschäft kaufen, in dem Sie das Werkzeug verkaufen. Weitere Einzelheiten entnehmen Sie bitte in der Zubehöerverpackung. Das Ladenpersonal kann Ihnen behilflich sein und Ratschläge anbieten.

INFORMATIONEN ÜBER LÄRM

D Gewichteter Schalldruck $L_{pA} = 71.18 \text{ dB(A)}$

$K_{pA} = 3.0 \text{ dB(A)}$

Gewichtete Schalleistung $L_{wA} = 80.1 \text{ dB(A)}$

$K_{wA} = 3.0 \text{ dB(A)}$

Tragen Sie einen Gehörschutz.



INFORMATIONEN ÜBER VIBRATIONEN

Typischer gewichteter Vibrationswert $a_h < 1.24 \text{ m/s}^2$

Unsicherheit $K = 3 \text{ m/s}^2$

Der Schwingungsgesamtwert kann zum Vergleichen eines Werkzeugs mit einem anderen verwendet werden, ebenso für eine vorläufige Beurteilung von Belastungen.

! WARNUNG: Der Vibrationsemissionswert während des tatsächlichen Gebrauchs des Elektrowerkzeugs kann vom angegebenen Wert abweichen, je nachdem, wie das Werkzeug gemäß folgender Beispiele und anderweitiger Verwendungsmöglichkeiten eingesetzt wird: Die Verwendung des Werkzeugs und die Art, wie die Materialien geschnitten oder angebohrt werden. Das Werkzeug ist in gutem Zustand und gut gepflegt.

Verwendung des richtigen Zubehörs für das Werkzeug und Gewährleistung seiner Schärfe und seines guten Zustands.
 Die Festigkeit der Handgriffe und ob Antivibrationszubehör verwendet wird.
 Und ob das verwendete Werkzeug dem Design und diesen Anweisungen entsprechend verwendet wird.

Wird dieses Werkzeug nicht angemessen gehandhabt, kann es ein Hand- Arm-Vibrationssyndrom erzeugen.

! WARNUNG: Um genau zu sein, sollte ein Abschätzung des Belastungsgrades aller Arbeitsabschnitte während tatsächlicher Verwendung berücksichtigt werden, z.B. die Zeiten, wenn das Werkzeug ausgeschaltet ist, und wenn es sich im Leerlauf befindet und eigentlich nicht eingesetzt wird. Auf diese Weise kann der Belastungsgrad während der gesamten Arbeitszeit wesentlich gemindert werden.

Minimieren Sie Ihr Risiko, dem Sie bei Vibrationen ausgesetzt sind.

Verwenden Sie IMMER scharfe Meißel, Bohrer und Sägeblätter.

Pflegen Sie dieses Werkzeug diesen Anweisungen entsprechend und achten Sie auf eine gute Einfettung (wo erforderlich).

Bei regelmäßiger Verwendung dieses Werkzeugs sollten Sie in Antivibrationszubehör investieren. Machen Sie einen Arbeitsplan, um die Verwendung von hochvibrierenden Werkzeugen auf mehrere Tage zu verteilen.

UMWELTSCHUTZ

Elektroprodukte dürfen nicht mit dem normalen Haushaltsmüll entsorgt werden, sondern sollten nach Möglichkeit zu einer Recyclingstelle gebracht werden. Ihre zuständigen Behörden oder Ihr Fachhändler geben Ihnen hierzu gerne Auskunft.

KONFORMITÄTSERKLÄRUNG

Wir,
 Positec Germany GmbH
 Postfach 32 02 16, 50796 Cologne, Germany

Erklären Hiermit, Dass Unser Produkt Beschreibung **Akku-Laubblasgerät**
 Typ **KG584 KG584.X (5 - Bezeichnung der Maschine, Vertreter des Akku-Laubblasgeräts)**
 Funktion **Laubblasgeräts**

den Bestimmungen der folgenden Richtlinien entspricht:

2006/42/EC, 2014/30/EU

2011/65/EU&(EU)2015/863

2000/14/EC geändert durch 2005/88/EC

2000/14/EC geändert durch 2005/88/EC:
- Konformitätsbewertungsverfahren nach **Anhang**

V

- Gemessene Schalleistung **80.1 dB (A)**
- Garantierte Schalleistung **81 dB (A)**

Normen,

EN 60335-1, EN 50636-2-100, EN 62233, EN ISO 3744, EN 55014-1, EN 55014-2

Zur Kompilierung der technischen Datei
ermächtigte Person,

Name Marcel Filz

Anschrift Positec Germany GmbH

Postfach 32 02 16, 50796 Cologne, Germany



2022/12/09

Allen Ding

Stellvertretender Chefsingenieur, Prüfung und
Zertifizierung

Positec Technology (China) Co., Ltd
18, Dongwang Road, Suzhou Industrial
Park, Jiangsu 215123, P. R. China

SOMMAIRE

Introduction.....	24
Liste des composants.....	25
Avertissements de sécurité.....	26
Assemblage & Fonctionnement.....	49
Nettoyage.....	16
Caractéristiques.....	58
Protection De L'environnement.....	59
Declaration De Conformite.....	59

INTRODUCTION

Cher Client,

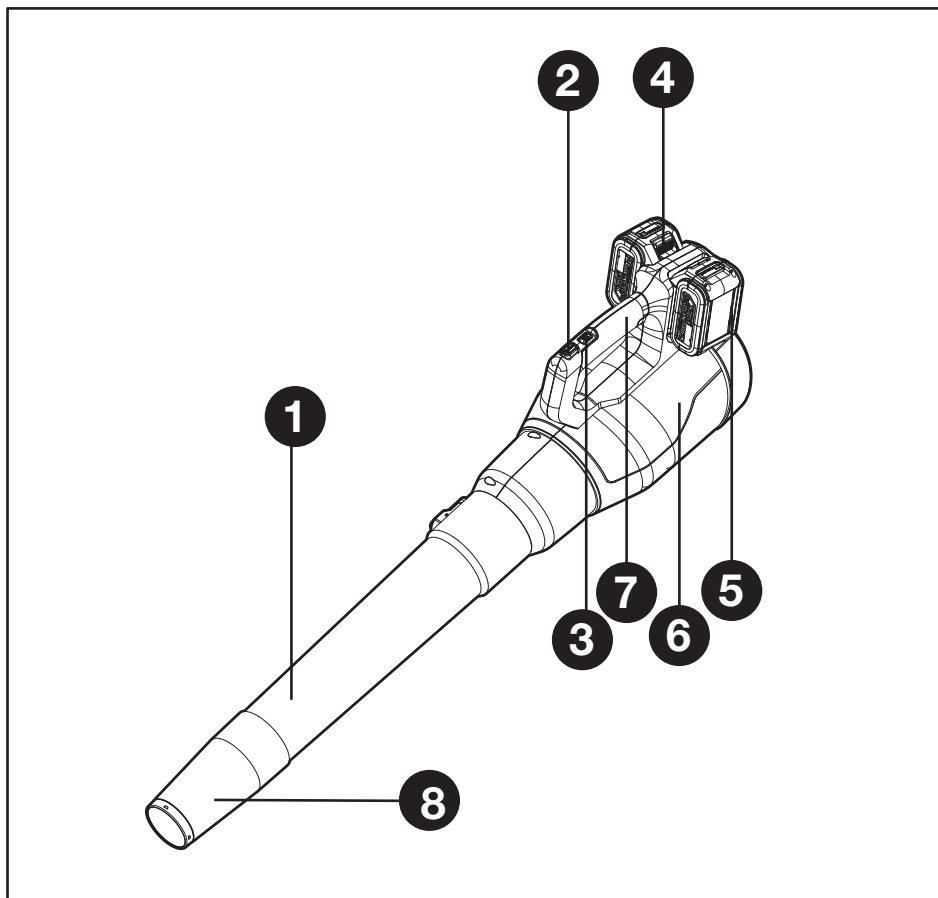
F Merci d'avoir acheté ce produit de la marque Kress. Nous nous efforçons de mettre au point des produits de haute qualité, adaptés à votre jardin et à votre pelouse.

La marque Kress est synonyme de service de qualité supérieure. Tout au long du cycle de vie de votre produit, si vous avez des questions ou des inquiétudes à son sujet, veuillez contacter le lieu où vous l'avez acheté ou notre équipe de service clientèle pour vous aider.

Nous espérons que vous serez satisfait de votre produit de la marque Kress pour les années à venir.

UTILISATION CONFORME

La souffleuse est prévue pour souffler des débris. Elle n'est pas destinée à une utilisation en intérieur et ni pour le toilettage d'animaux.



LISTE DES COMPOSANTS

1. TUBE DE SOUFLERIE
2. BOUTON TURBO POUR AUGMENTER LA PUISSANCE
3. INTERRUPTEUR DE MARCHÉ/ARRET
4. BOUTONS DE DÉTACHEMENT DU BLOC DE BATTERIE *
5. BATTERIE *
6. LOGEMENT MOTEUR *
7. POIGNÉE
8. BUSE DE CONCENTRATEUR *

* Les accessoires reproduits ou décrits ne sont pas tous compris avec le modèle standard livré.

SÉCURITÉ DU PRODUIT

AVERTISSEMENT Lire tous les avertissements de sécurité et toutes les instructions.

Ne pas suivre les avertissements et instructions peut donner lieu à un choc électrique, un incendie et/ou une blessure sérieuse.

Conserver tous les avertissements et toutes les instructions pour pouvoir s'y reporter ultérieurement.

L'appareil ne doit être utilisé qu'avec l'unité d'alimentation fournie avec l'appareil.

F IMPORTANT LISEZ ATTENTIVEMENT AVANT UTILISATION CONSERVEZ POUR RÉFÉRENCE FUTURE

Utilisation en sécurité

1) Instructions

- a) Lire attentivement les instructions, afin de connaître l'utilisation appropriée pour l'appareil.
- b) Cette machine ne peut pas être utilisée par les enfants, les personnes dont les capacités physiques, sensorielles ou mentales sont réduites, ou avec un manque d'expérience ou de connaissances, ou bien les personnes ne connaissant pas les consignes d'utilisation de la machine. Les réglementations locales peuvent limiter l'âge d'utilisation de l'opérateur.
- c) Ne pas utiliser la machine, à proximité des gens, particulièrement des enfants, ou des animaux.
- d) Gardez à l'esprit que l'opérateur ou l'utilisateur est responsable des accidents et des dangers survenant à d'autres personnes ou à leurs biens.

2) Préparation

- a) Porter toujours des chaussures de sécurité et des pantalons longs; Ne faites pas fonctionner la machine pieds nus ou lorsque vous portez des sandales ouvertes. Évitez de porter des vêtements lâches, à cordon ou des cravates.
- b) Ne portez pas de vêtements amples ni de bijoux qui pourraient être aspirés dans l'entrée d'air. Maintenez les cheveux longs à l'écart des entrées d'air.
- c) Obtenez une protection pour les oreilles et des lunettes de sécurité. Portez-les à tout moment lors de l'utilisation de la machine.
- d) Faites fonctionner la

machine dans une position recommandée et uniquement sur une surface ferme et nivelée.

- e) Ne faites pas fonctionner la machine sur une surface pavée ou de gravier, car l'éjection de matériel pourrait vous blesser.
- f) Avant utilisation, inspectez toujours visuellement que les autres éléments de fixation sont fermement fixés, que le logement n'est pas endommagé, et que les protections et écrans sont en place. Remplacez les composants usés ou endommagés dans leur ensemble pour préserver l'équilibre. Remplacez les étiquettes endommagées ou illisibles.

3) Fonctionnement

- a) Avant de démarrer la machine, assurez-vous que la chambre d'alimentation est vide.
- b) Maintenez votre visage et votre corps loin de l'ouverture d'admission de l'alimentation.
- c) Ne laissez pas vos mains ou toute autre partie de votre corps, ou vos vêtements à l'intérieur de la chambre d'alimentation, de la goulotte de décharge ou

à proximité de toute partie mobile.

- d) Maintenez bien l'équilibre et une bonne position à tout moment. Ne vous penchez pas trop. Ne vous tenez jamais à un niveau supérieur à la base de la machine lors de son alimentation en matériau.
- e) Tenez-vous toujours éloigné de la zone de décharge lors du fonctionnement de cette machine.
- f) Si la machine commence à faire un bruit ou à vibrer de façon inhabituelle, arrêtez immédiatement la source d'alimentation et laissez la machine s'arrêter. Retirez la batterie de la machine et suivez les étapes suivantes avant de redémarrer et de faire fonctionner la machine:
 - i) Inspectez-la pour détecter la présence de dommages;
 - ii) Remplacez ou réparez toute pièce endommagée;
 - iii) Vérifiez et serrez toute pièce lâche.
- g) Ne laissez pas le matériau transformé s'accumuler dans la zone de décharge, ceci peut empêcher une décharge appropriée et entraîner un rebond de matériau à travers l'ouverture d'admission.

- h) En cas d'obstruction de la machine, éteignez la source d'alimentation et retirez la batterie de la machine avant de nettoyer les débris.
- i) N'utilisez jamais l'appareil si des gardes, des protections, ou des dispositifs de sécurité sont défectueux
- j) Maintenez la source d'alimentation exempte de débris et d'autres accumulations pour éviter de l'endommager ou un incendie potentiel.
- k) Ne transportez pas cette machine avec la source d'alimentation en marche.
- l) Toujours débrancher la machine de la prise d'alimentation (par ex., retirer la batterie de la machine).
- si vous quittez la machine,
 - avant de nettoyer les obstructions ou de déboucher la goulotte,
 - avant le contrôle, le nettoyage ou toute opération sur la machine;
- m) Éviter d'utiliser la machine par mauvais temps, en particulier lorsqu'il existe un risque foudre.
- les écrous, boulons, et les vis serrés.
- b) Par sécurité, remplacer toutes parties usées ou endommagées.
- c) Utilisez uniquement des pièces de rechange et des accessoires d'origine.
- d) Conservez la machine dans un endroit sec, hors de portée des enfants.
- e) En cas d'arrêt de la machine pour entretien, inspection ou stockage, ou pour changer un accessoire, éteignez la source d'alimentation, débranchez la machine de l'alimentation et assurez-vous que toutes les parties mobiles sont complètement arrêtées. Laissez refroidir la machine avant d'effectuer des inspections, ajustements, etc. Entretenez correctement la machine et maintenez-la propre.
- f) Conservez la machine dans un endroit sec, hors de portée des enfants.
- g) Laissez toujours la machine refroidir avant de la stocker.
- h) Ne tentez jamais passer outre le dispositif d'enclenchement de la protection.

4) Entretien

- a) Afin d'utiliser la machine en toute sécurité garder tous

MISES EN GARDE CONCERNANT LA



BATTERIE









- a) La batterie et les piles secondaires ne doivent pas être ouvertes, démontées ou broyées.
- b) La batterie ne doit pas être court-circuitée. Évitez de mettre la batterie en vrac dans une boîte ou dans un tiroir où elles risqueraient de se court-circuiter entre elles ou au contact d'autres objets métalliques. Après usage, évitez tout contact de la batterie avec d'autres objets métalliques de petite taille (trombones, pièces, clés, clous, vis etc.) susceptibles de court-circuiter les pôles. Un court-circuit entre les pôles de la batterie peut être à l'origine de brûlures ou d'un incendie.
- c) La batterie ne doit pas être exposée au feu et à la chaleur. Évitez de la ranger à la lumière du soleil.
- d) La batterie et les piles ne doivent pas être soumises à des chocs mécaniques.
- e) En cas de fuite des piles, évitez tout contact du liquide avec la peau et les yeux. En cas de contact, rincez abondamment la surface touchée avec de l'eau et appelez les urgences.
- f) La batterie et les piles doivent rester propres et sèches.
- g) Si la batterie ou les piles se salissent, essuyez-les avec un chiffon propre et sec.
- h) La batterie et les piles doivent être chargées avant usage. Utilisez toujours le chargeur adéquat, et respectez les instructions du fabricant ou le mode d'emploi de l'appareil concernant la procédure de recharge.
- i) Évitez de laisser une batterie se charger pendant trop longtemps lorsqu'elle n'est pas utilisée.
- j) Après de longues périodes d'inutilisation, il peut être nécessaire de charger et décharger la batterie et les piles à plusieurs reprises avant que celles-ci ne retrouvent leur capacité maximale.
- k) N'utilisez pas d'autre chargeur que celui spécifié par Worx. N'utilisez pas d'autre

chargeur que celui spécifiquement fourni avec l'appareil.

- l) N'utilisez en aucun cas une batterie autre que celle prévue pour cet appareil.
- m) La batterie doit être tenue hors de portée des enfants.
- n) Gardez la documentation d'origine du produit afin de pouvoir vous y référer ultérieurement.
- o) Enlevez la batterie de l'appareil lorsque vous ne l'utilisez pas.
- p) Respectez les procédures de mise au rebut.
- q) Ne pas mélanger des piles de fabrication, capacité, taille ou type différents dans un appareil.
- r) Protégez la batterie des micro-ondes et des hautes pressions.

SYMBOLES

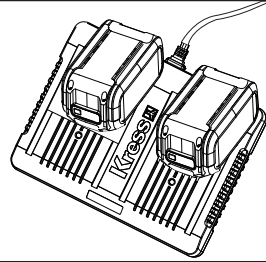
	Lire le mode d'emploi
	Porter une protection pour les yeux

	Porter une protection pour les oreilles
	Ne pas exposer à la pluie
	Avertissement de danger
	Tenez vous à bonne distance
	Assurez-vous d'avoir retiré la batterie avant de changer les accessoires.
	Les déchets d'équipements électriques et électroniques ne doivent pas être déposés avec les ordures ménagères. Ils doivent être collectés pour être recyclés dans des centres spécialisés. Consultez les autorités locales ou votre revendeur pour obtenir des renseignements sur l'organisation de la collecte.
 <p>Li-Ion</p>	La batterie Li-Ion. Ce produit a été identifié par un symbole «Collection séparée» pour toutes les batteries et pour toutes les paquets de batterie. Il sera ensuite recyclé ou démantelé afin de réduire l'impact sur l'environnement. Les paquets de batterie peuvent être dangereux pour l'environnement et la santé humaine car elles contiennent des substances dangereuses.
	Ne pas brûler.



Les piles peuvent entrer dans le cycle de l'eau si elles sont éliminées de manière inappropriée, ce qui peut être dangereux pour l'écosystème. Ne jetez pas les piles utilisées avec les déchets ménagers non triés.

A2

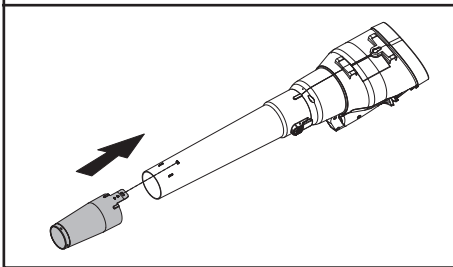


ASSEMBLAGE ET FONCTIONNEMENT

AVANT L'UTILISATION

installation de la buse du concentrateur
(Voir Fig. A1)

A1



Charge de votre batterie (Voir Fig. A2)

REMARQUE:

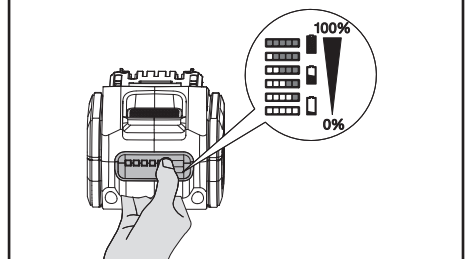
- La batterie N'EST PAS CHARGÉE et il faut la charger une fois avant de l'utiliser.
- Rechargez toujours complètement les deux batteries en même temps. Pour plus d'informations, reportez-vous au manuel du chargeur.

⚠ Avertissement! Le chargeur et la batterie ont été spécialement conçus pour fonctionner ensemble, ne pas utiliser d'autres dispositifs. Ne jamais insérer d'objets métalliques dans le chargeur ou dans les connexions de la batterie, cela pourrait provoquer un court-circuit ou être une source de danger.

Vérification de l'état de charge de la batterie (Voir Fig. A3)

REMARQUE: La Fig. A3 s'applique uniquement à la batterie avec témoin lumineux de batterie.

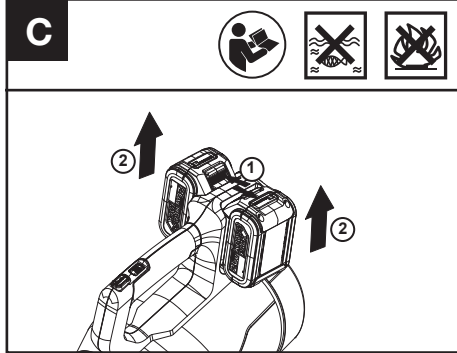
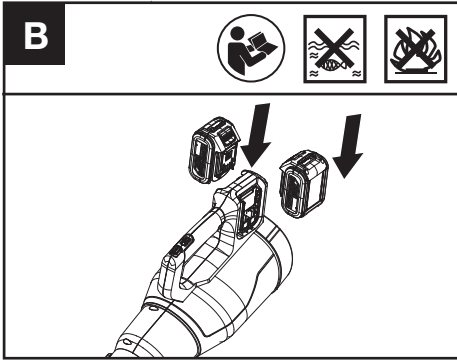
A3



Enlever ou installer la batterie (Voir Fig. B, C)

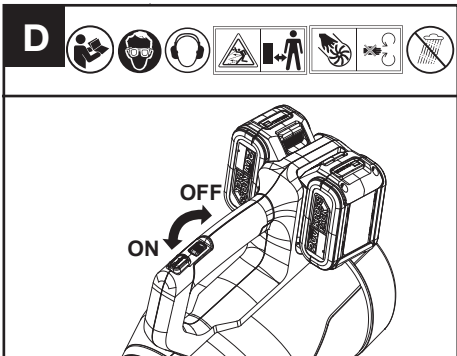
REMARQUE:

- Cette machine ne fonctionnera qu'avec 2 batteries installées. Veuillez toujours utiliser les deux mêmes batteries et rechargez-les en même temps.
- Lorsque vous utilisez deux batteries de puissance différente, la machine ne fonctionnera qu'au niveau de la batterie dont la charge est la plus faible



FONCTIONNEMENT
MARCHE-ARRÊT (Voir Fig. D)

! Avertissement! L'appareil tourne encore pendant quelques secondes après avoir éteint. Laissez le moteur s'arrêter complètement avant de poser l'outil.



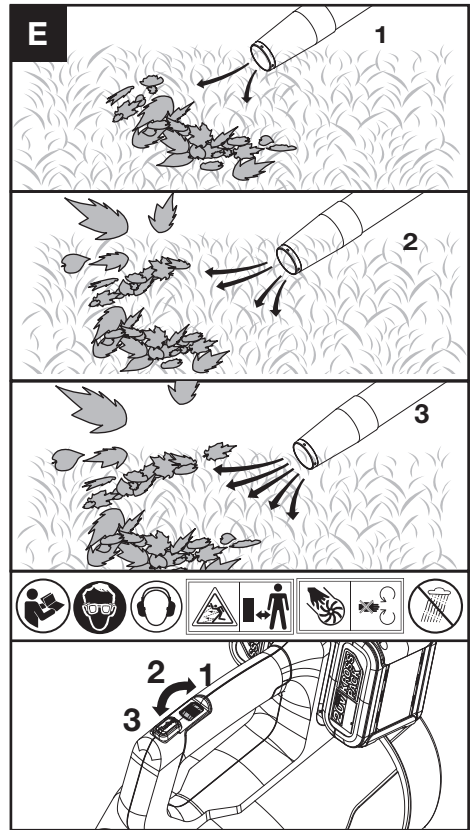
Réglage de la vitesse de soufflage / volume de l'air avec interrupteur à 3 vitesses (Voir Fig. E)

CONSEILS A L'UTILISATEUR

- Tenez le tube de soufflage à approximativement 8° au dessus du sol lors du fonctionnement de l'outil. Utilisez un mouvement de balayage latéral.
- Après avoir soufflé les débris/feuilles en tas, il vous sera aisé de vous en débarrasser.

! **ATTENTION!**

- Ne soufflez pas d'objets durs comme des clous, des boulons ou des cailloux.
- N'utilisez pas le souffleur près d'observateurs ou d'animaux.
- Faites très attention lorsque vous nettoyez des débris dans des escaliers ou d'autres zones exigus.
- Portez des lunettes de protection ou d'autres protections oculaires appropriées, des pantalons longs et des chaussures.



Bouton Turbo pour augmenter la puissance

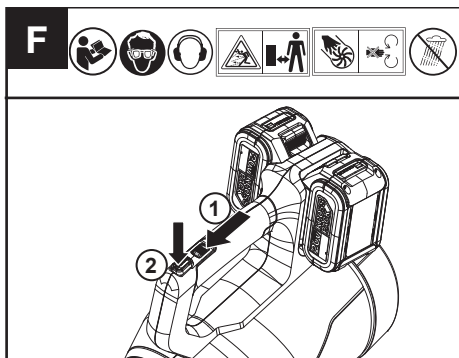
REMARQUE:

- Le bouton Turbo pour augmenter la puissance permet d'augmenter fortement le débit d'air et peut être utilisé pour nettoyer les débris

humides ou lourds.

- **Tout d'abord, allumez le souffleur puis sélectionnez une commande de vitesse (une vitesse de 1,2 à 3). Appuyez sur le bouton Turbo puis maintenez-le appuyer.**

Relâchez le bouton Turbo. Le souffleur revient à la vitesse précédemment sélectionnée.



POUR LES OUTILS À BATTERIE

La plage de température ambiante d'utilisation de l'outil et de la batterie est 0°C -45°C.

La plage de température ambiante recommandée pour le système de recharge au cours de la charge est 0° C-40°C.

NETTOYAGE DE L'OUTIL

Nettoyez l'outil régulièrement.

⚠ Avertissement! Gardez votre produit sec. N'aspergez de l'eau dessus sous aucun prétexte.

- Pour nettoyer l'outil, utilisez uniquement un savon doux et un chiffon humide.
- N'utilisez aucun type de détergent, nettoyant ou solvant qui puisse contenir des substances chimiques pouvant endommager le plastique.
- Les roulements sont auto-lubrifiés, ils ne nécessitent donc pas de lubrification supplémentaire.

CARACTÉRISTIQUES TECHNIQUES

Modèle **KG584 KG584.X** (5 - désignations des pièces, représentative du souffleur sans fil)

KG584 KG584.X **

Tension	40 V $\overline{\text{MAX}}$. (2x20 V Max.) ***
Volumen de aire máximo	900 m ³ /h
La vitesse de l'air maximale	290 km/h (with concentrator nozzle)
Poids (Outil nu)	1.9 kg

** X = 1-999, A-Z, M1-M9, la seule différence entre ces modèles est que les clients visés sont différents. Il n'y a pas de changement concernant la sécurité.

***La tension est mesurée à vide. La tension initiale de la batterie atteint un maximum de 20 volts. La tension nominale est de 18 volts.

BATTERIES ET CHARGEURS CONSEILLÉS

Catégorie	Type	Capacité
20V Batterie	KAB04	4.0 Ah
20V Chargeur	KAC04	4.0 A

Nous vous recommandons d'acheter vos accessoires dans le magasin qui vous a vendu l'outil. Reportez-vous à l'emballage de l'accessoire pour plus de détails. Le personnel du magasin peut vous aider et vous conseiller.

INFORMATIONS RELATIVES AU BRUIT

Niveau de pression acoustique $L_{pA} = 71.18 \text{ dB(A)}$

$K_{pA} = 3.0 \text{ dB(A)}$

Niveau de puissance acoustique $L_{wA} = 80.1 \text{ dB(A)}$

$K_{wA} = 3.0 \text{ dB(A)}$

Porter des protections auditives.



INFORMATIONS RELATIVES AUX VIBRATIONS

Valeur de vibration mesurée $a_h < 1.24 \text{ m/s}^2$

Incertitude $K = 3 \text{ m/s}^2$

La valeur totale de vibration déclarée peut être utilisée pour comparer un outil à un autre, et peut également être utilisé dans une évaluation préliminaire de l'exposition.

⚠ AVERTISSEMENT: La valeur d'émission de vibrations pendant l'utilisation réelle de l'outil

électrique peut différer de la valeur déclarée selon la manière dont l'outil est utilisé, selon les exemples suivants et d'autres variations sur la manière dont l'outil est utilisé:

Comment l'outil est utilisé et quels matériaux sont coupés ou percés.

L'outil est en bon état et bien entretenu.

L'utilisation du bon accessoire pour l'outil et l'assurance qu'il est affûté et en bon état.

La bonne tenue des poignées et, le cas échéant, les accessoires anti-vibrations utilisés.

L'outil est utilisé comme prévu dans sa conception et dans le présent mode d'emploi.

Cet outil peut causer un syndrome des vibrations main-bras s'il n'est pas correctement géré.



VERTISSEMENT: Pour être précise, une évaluation du niveau d'exposition en conditions réelles d'utilisation doit également tenir compte de toutes les parties du cycle d'utilisation telles que les moments où l'outil est éteint, et ceux où il fonctionne au ralenti mais ne réalise pas réellement de tâche. Ceci peut réduire de manière significative le niveau d'exposition et la durée d'utilisation totale.

Afin de minimiser le risque d'exposition aux vibrations:

F Utilisez TOUJOURS des burins, des forets et des lames affûtés.

Entretenez cet outil de manière conforme au mode d'emploi et maintenez-le lubrifié (le cas échéant).

Si l'outil doit être utilisé régulièrement, investissez dans des accessoires anti-vibrations.

Planifiez votre travail pour étaler l'utilisation des outils à forte vibration sur plusieurs jours.

PROTECTION DE L'ENVIRONNEMENT



Les déchets d'équipements électriques et électroniques ne doivent pas être déposés avec les ordures ménagères. Ils doivent être collectés pour être recyclés dans des centres spécialisés. Consultez les autorités locales ou votre revendeur pour obtenir des renseignements sur l'organisation de la collecte.

DECLARATION DE CONFORMITE

Nous,
Positec Germany GmbH
Postfach 32 02 16, 50796 Cologne, Germany

Déclarons ce produit
Description **Souffleur sans fil**
Modèle **KG584 KG584.X (5 - désignations des pièces, illustration du souffleur sans fil)**
Fonction **Soufflage**

Est conforme aux directives suivantes,
2006/42/EC, 2014/30/EU
2011/65/EU&(EU)2015/863
2000/14/EC amendée par 2005/88/EC

2000/14/EC amendée par 2005/88/EC:

- Procédure d'évaluation de la conformité conformément à **Annexe V**

- Niveau de pression acoustique **80.1 dB (A)**

- Niveau d'intensité acoustique **81 dB (A)**

Et conforme aux normes,

EN 60335-1, EN 50636-2-100, EN 62233, EN ISO 3744, EN 55014-1, EN 55014-2

La personne autorisée à compiler le dossier technique,

Nom Marcel Filz

Adresse Positec Germany GmbH

Postfach 32 02 16, 50796 Cologne, Germany



2022/12/09

Allen Ding

Ingénieur en chef adjoint, Essais & Certification
Positec Technology (China) Co., Ltd.

18, Dongwang Road, Suzhou Industrial
Park, Jiangsu 215123, P. R. China

INDICE

Introduzione.....	35
Elementi dell'apparecchio.....	36
Avvisi per la sicurezza.....	37
Montaggio & Funzionamento	42
Pulizia.....	44
Specifiche.....	44
Tutela Ambientale.....	45
Dichiarazione Di Conformità.....	45

INTRODUZIONE

Gentile Cliente,

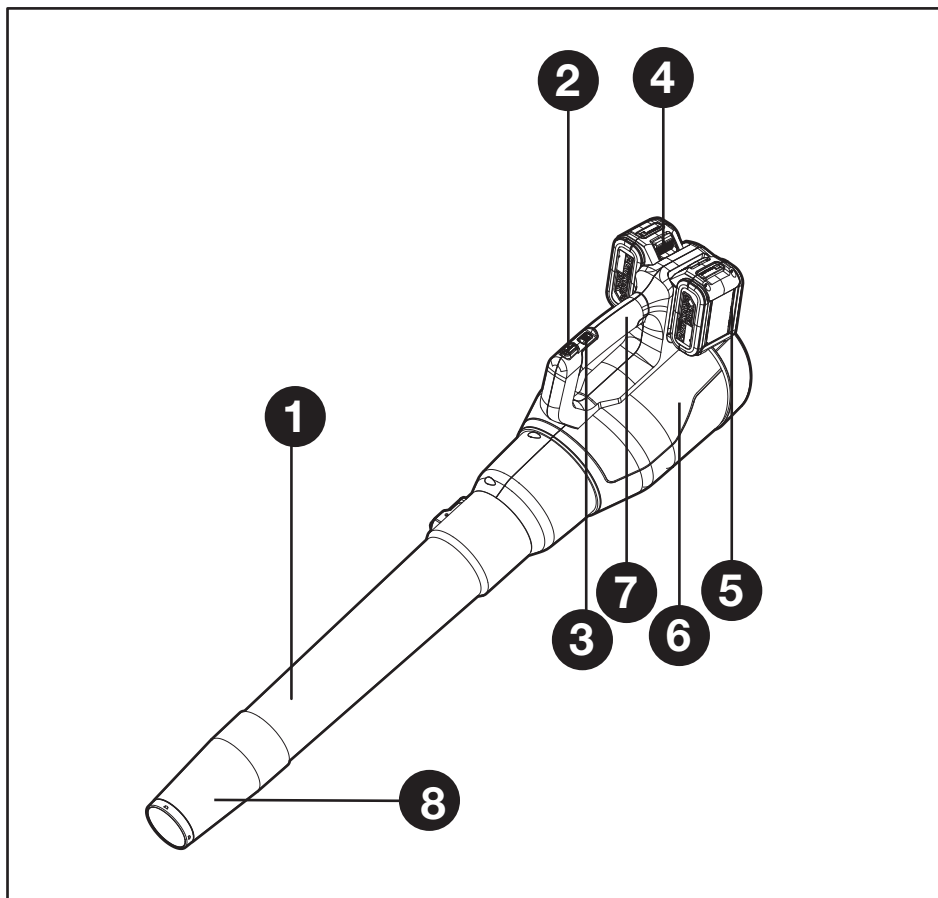
Grazie per aver acquistato questo prodotto Kress. Ci dedichiamo allo sviluppo di prodotti di alta qualità per soddisfare le sue esigenze relative a prato e giardino.

Il marchio Kress è sinonimo di un servizio di prima qualità. Nel corso degli anni di utilizzo dei prodotti, se ha domande o dubbi, la preghiamo di contattare il rivenditore presso il quale ha acquistato il prodotto o il nostro Servizio clienti per ricevere assistenza.

Siamo sicuri che le piacerà lavorare con il suo prodotto Kress per gli anni a venire.

USO CONFORME

La soffiante deve essere utilizzata esclusivamente per eliminare detriti. Non deve essere utilizzata in interno e per strigliare gli animali.




ELENCO COMPONENTI

1. TUBO DEL SOFFIANTE
2. PULSANTE TURBO PER AUMENTARE LA POTENZA
3. INTERRUTTORE D'ACCENSIONE/SPEGNIMENTO
4. PULSANTI SGANCIO BATTERIA *
5. BATTERIA *
6. ALLOGGIAMENTO MOTORE *
7. IMPUGNATURA
8. UGELLO CONCENTRATORE *

* Accessori illustrati o descritti non fanno necessariamente parte del volume di consegna.

SICUREZZA DEL PRODOTTO

 **ATTENZIONE! È assolutamente necessario leggere attentamente tutte le istruzioni.** *Eventuali errori nell'adempimento delle istruzioni qui di seguito riportate potranno causare scosse elettriche, incendi e/o lesioni gravi.*

Conservare tutti gli avvisi e le istruzioni per poterle consultare quando necessario.

Il dispositivo deve essere utilizzato unicamente con l'unità di alimentazione fornita in dotazione.

IMPORTANTE LEGGERE ATTENTAMENTE PRIMA DELL'USO CONSERVARE PER RIFERIMENTO FUTURO

Prescrizioni di sicurezza

1) ADDESTRAMENTO

- a) Leggere con attenzione le istruzioni. Acquisire familiarità con i comandi e il corretto funzionamento dell'apparecchio.
- b) Mai consentire l'uso della macchina a bambini, soggetti con capacità fisiche, sensoriali o mentali limitate, senza

esperienza o competenze specifiche o ignari delle presenti istruzioni. Le normative locali potrebbero prescrivere specifici limiti di età per l'operatore.

- c) Non usare il dell'apparecchio in presenza di altre persone, in particolar modo di bambini o di animali domestici.
- d) Ricordare che l'operatore o l'utente sono responsabili di incidenti o rischi che dovessero verificarsi ai danni di terzi o delle proprietà.

2) OPERAZIONI PRELIMINARI

- a) Durante il lavoro, indossare sempre calzature robuste e pantaloni lunghi; Non utilizzare la macchina a piedi nudi o indossando sandali aperti. Evitare di indossare abiti larghi o che presentano cordoni o lacci.
- b) Non indossare indumenti ampi o monili che possono essere aspirati nella presa d'aria. Se si hanno i capelli lunghi, tenersi a distanza dalle prese di aspirazione dell'aria.
- c) Procurarsi dispositivi di protezione acustica e occhiali di sicurezza e indossarli sempre durante

- l'uso della macchina.
- d) Azionare la macchina in una posizione raccomandata ed esclusivamente su una superficie stabile e piana.
 - e) Non utilizzare la macchina su un fondo lastricato o con ghiaia, dove potrebbe venire scagliato del materiale, con la possibilità che si verifichino lesioni a persone.
 - f) Prima dell'uso verificare sempre che gli elementi di bloccaggio siano ben serrati, che l'alloggiamento non sia danneggiato e che le protezioni e gli schermi siano in posizione. Sostituire i componenti usurati o danneggiati in set, per conservare l'equilibrio della macchina. Sostituire le etichette danneggiate o illeggibili.

3) FUNZIONAMENTO

- a) Prima di avviare la macchina, accertarsi che la camera di alimentazione sia vuota.
- b) Tenere il viso e il corpo lontano dall'apertura di alimentazione.
- c) Non lasciare le mani o qualsiasi altra parte del corpo, né indumenti all'interno della camera di alimentazione, dello scivolo

di scarico o in prossimità di parti mobili.

- d) Mantenere sempre una posizione salda e sicura. Non piegarsi eccessivamente in avanti. Non stare mai in piedi a un livello superiore rispetto alla base della macchina quando si inserisce il materiale al suo interno.
- e) Quando si utilizza la macchina mantenersi sempre a distanza dalla zona di scarico.
- f) Se la macchina dovesse iniziare a produrre un rumore o una vibrazione insoliti, scollegare immediatamente l'alimentazione e fare fermare la macchina. Rimuovere la batteria dalla macchina e attenersi ai passaggi seguenti prima di riavviare e utilizzare la macchina:
 - i) verificare la presenza di eventuali danni;
 - ii) sostituire o riparare le eventuali parti danneggiate;
 - iii) controllare che non ci siano parti allentate e, in caso affermativo, stringerle.
- g) Non lasciare che il materiale lavorato si accumuli nella zona di scarico; ciò potrebbe impedire uno scarico scorretto con un

conseguente possibile contraccolpo del materiale attraverso l'apertura di inserimento.

- h) Se la macchina dovesse ostruirsi, scollegare l'alimentazione e rimuovere la batteria dalla macchina prima di liberarla dai detriti.
- i) Non utilizzare mai l'apparecchiatura con protezioni o schermi difettosi, o in mancanza di dispositivi di sicurezza.
- j) Mantenere la fonte di alimentazione libera da detriti o altri accumuli di materiale al fine di prevenire danni alla stessa e lo scoppio di un incendio.
- k) Non trasportare la macchina mentre la fonte di alimentazione è in funzione.
- l) Scollegare sempre la macchina dall'alimentazione elettrica (es. rimuovere il pacco batteria dalla macchina)
 - ogni volta che si lascia la macchina incustodita,
 - prima di rimuovere blocchi o disostruire lo scivolo di scarico,
 - prima di controllare, pulire o effettuare lavori sulla apparecchiatura;
- m) Evitare di utilizzare la macchina in caso di condizioni meteorologiche

avverse, specialmente se sussiste il rischio di fulmini.

4) MANUTENZIONE E CONSERVAZIONE

- a) Ai fini della sicurezza delle operazioni, accertarsi che tutti i dadi, i bulloni e le viti dell'apparecchio siano saldamente avvitati.
- b) Per maggiore sicurezza, sostituire le parti usurate o danneggiate.
- c) Usare solo parti di ricambio e accessori originali.
- d) Stoccare la macchina in un luogo asciutto, lontano dalla portata dei bambini.
- e) Quando la macchina viene fermata per motivi di assistenza, ispezione, stoccaggio o sostituzione di un accessorio, disattivare la fonte di alimentazione, scollegare la macchina dalla corrente e assicurarsi che tutte le parti mobili si siano arrestate completamente. Prima di effettuare qualsiasi intervento di ispezione, regolazione, ecc. lasciare raffreddare la macchina. Mantenere la macchina con cura e mantenerla pulita.
- f) Stoccare la macchina in un luogo asciutto, lontano dalla portata dei bambini.
- g) Prima di stoccare la

macchina, lasciare sempre che si raffreddi.

- h) Non tentare mai di escludere la funzione di interblocco della protezione.

ISTRUZIONI PER LA SICUREZZA DEL PACCO BATTERIA

- a) **Non smontare, aprire o strappare le cellule secondarie o il pacco batteria.**
- b) **Non cortocircuitare un pacco batteria. Non conservare un pacco batteria disordinatamente in una scatola o un cassetto in cui potrebbero cortocircuitarsi tra essi o essere cortocircuitati da altri oggetti metallici. Quando il pacco batteria non è in uso, tenerlo lontano da altri oggetti metallici come graffette, monete, chiavi, chiodi, viti e altri piccoli oggetti metallici, potrebbe avverarsi un collegamento tra i due terminali. Collegare i terminali della batteria potrebbe causare incendi o ustioni.**
- c) **Non esporre il pacco batteria a calore o fuoco.**

Evitare di conservarli alla luce diretta del sole.

- d) **Non sottoporre il pacco batteria a scosse meccaniche.**
- e) **In caso di perdite da una cellula, evitare che il liquido entri in contatto con la pelle o gli occhi. In caso di contatto, lavare l'area interessata con abbondante acqua e consultare un medico.**
- f) **Tenere le cellule e il pacco batteria puliti e asciutti.**
- g) **Pulire i terminali delle cellule e del pacco batteria con un panno pulito e asciutto nel caso in cui si sporchino.**
- h) **Il pacco batteria deve essere caricato prima dell'uso. Utilizzare sempre il caricatore corretto e consultare le istruzioni.**
- i) **Non lasciare un pacco batteria in carica se non in uso.**
- j) **Dopo lunghi periodi di conservazione, potrebbe essere necessario caricare e scaricare le cellule o il pacco batteria diverse volte per ottenere le massime prestazioni.**
- k) **Ricaricare solo con il caricatore specificato**

da Worx. Non utilizzare caricatori diversi da quelli forniti per l'uso specifico con l'apparecchiatura.

- l) Non utilizzare un pacco batteria non progettato per l'uso con l'apparecchiatura.
- m) Tenere il pacco batteria fuori dalla portata dei bambini.
- n) Conservare i documenti originali del prodotto per riferimenti futuri.
- o) Rimuovere la batteria dall'apparecchiatura, se non in uso.
- p) Smaltire adeguatamente.
- q) Non mischiare batterie di diverse marche, capacità, dimensioni o tipologia nello stesso dispositivo.
- r) Tenere la batteria lontano da microonde e alta pressione.

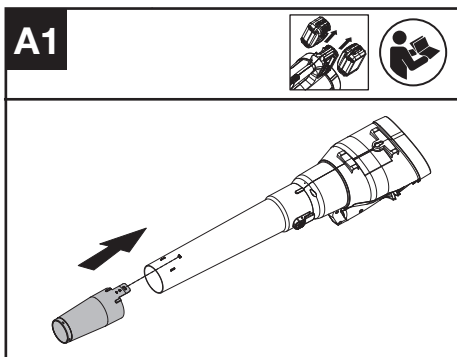
	Non esporre alla pioggia
	Avvertimento di rischio
	Tenere gli astanti a distanza di sicurezza
	Assicurarsi che la batteria venga rimossa prima di sostituire gli accessori.
	I prodotti elettrici non possono essere gettati tra i rifiuti domestici. L'apparecchio da rottamare deve essere portato al centro di riciclaggio per un corretto trattamento. Controllare con le autorità locali o con il rivenditore per localizzare il centro di riciclaggio più vicino.
 Li-Ion 	Batteria agli ioni di litio Questo prodotto è contrassegnato da un simbolo relativo alla "raccolta separata" per tutti i pacchi batteria e il pacco batteria. Quindi, sarà riciclata o smantellata per ridurre l'impatto sull'ambiente. I pacchi batteria possono essere pericolosi per l'ambiente e per la salute umana poiché contengono sostanze pericolose.
	Non bruciare.
	Le batterie potrebbero entrare nel ciclo dell'acqua se non siano smaltite in modo inappropriato, il che può essere pericoloso per l'ecosistema. Non smaltire le batterie usate come rifiuti urbani non differenziati.

SIMBOLI

	Leggere le istruzioni
	Indossare protezione per le orecchie
	Indossare protezione per le orecchie

MONTAGGIO E FUNZIONAMENTO

PRIMA DEL FUNZIONAMENTO
installazione dell'ugello concentratore
(Vedi Fig. A1)

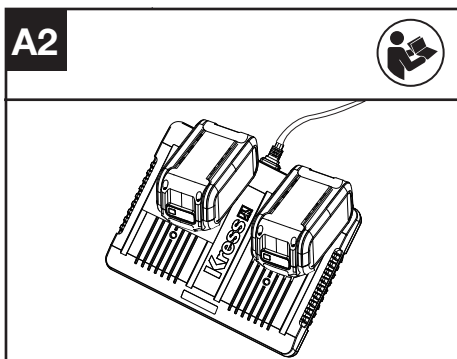


Charger la batteria (Vedi Fig. A2)

NOTA:

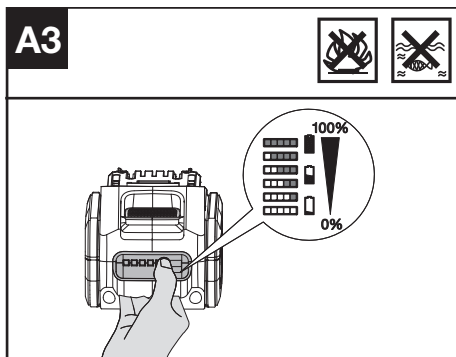
- L'unità batteria fornita è SCARICA ed è necessario caricarla prima di utilizzarla.
- Caricare sempre completamente le due batterie nello stesso momento. È possibile trovare maggiori dettagli nel manuale del caricatore.

⚠ Attenzione! Il caricabatteria e l'unità batteria sono stati progettati appositamente per funzionare assieme. Non utilizzare nessun altro dispositivo. Non inserire e controllare attentamente che non vi siano oggetti metallici nei collegamenti dell'unità batteria per evitare guasti elettrici o altri rischi.



Controllo dello stato di carica della batteria (Vedi Fig. A3)

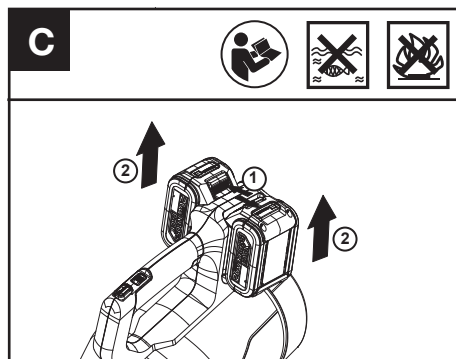
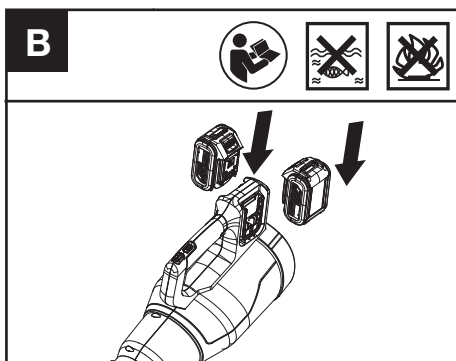
NOTA: la Fig. A3 si riferisce solamente alla batteria con indicatore luminoso.



Rimozione e installazione dell'unità batteria (Vedi Fig. B, C)

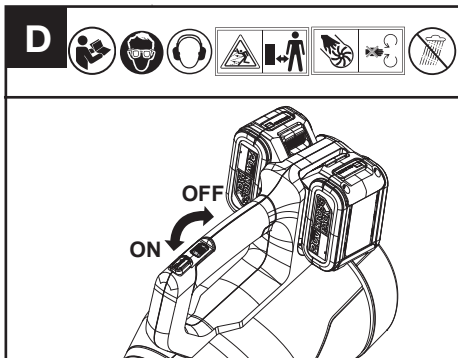
NOTA:

- Questo elettroutensile funziona esclusivamente se tutte e due le batterie sono installate. Usare sempre le stesse due batterie e caricarle contemporaneamente.
- Quando si utilizzano due batterie con potenze diverse la macchina funzionerà solo al livello della batteria più bassa



FONCTIONNEMENT MARCHÉ-ARRÊT (See Fig. D)

! Avertissement! L'appareil tourne encore pendant quelques secondes après avoir éteint. Laissez le moteur s'arrêter complètement avant de poser l'outil.



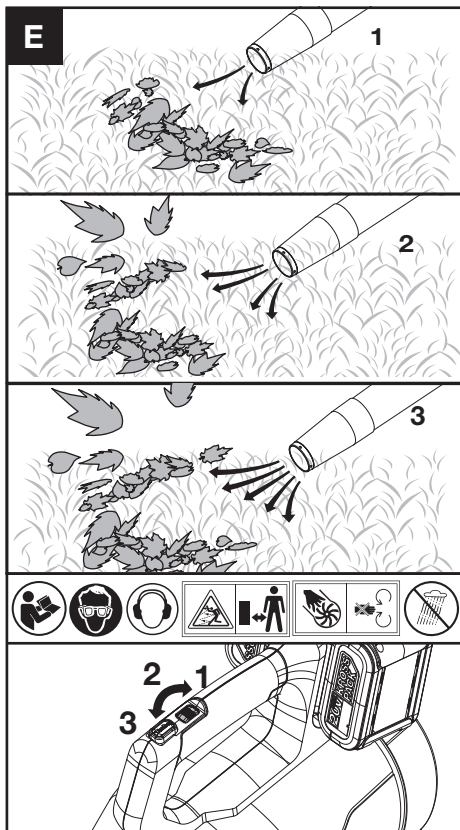
Réglage de la vitesse de soufflage / volume de l'air avec interrupteur à 3 vitesses (Vedi Fig. E)

CONSEILS A L'UTILISATEUR

- Tenez le tube de soufflage à approximativement 8" au dessus du sol lors du fonctionnement de l'outil. Utilisez un mouvement de balayage latéral.
- Après avoir soufflé les débris/feuilles en tas, il vous sera aisé de vous en débarrasser.

! Attention!

- Ne soufflez pas d'objets durs comme des clous, des boulons ou des cailloux.
- N'utilisez pas le souffleur près d'observateurs ou d'animaux.
- Faites très attention lorsque vous nettoyez des débris dans des escaliers ou d'autres zones exigus.
- Portez des lunettes de protection ou d'autres protections oculaires appropriées, des pantalons longs et des chaussures.

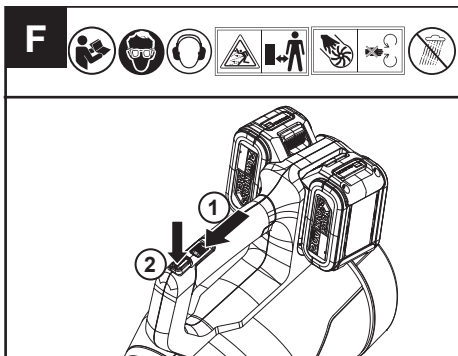


Pulsante Turbo per aumentare la potenza

NOTA:

- il Pulsante Turbo per aumentare la potenza può incrementare notevolmente il flusso dell'aria e può essere usato per rimuovere detriti umidi o pesanti.
- Accendere il soffiatore e impostare la velocità (da 1,2a 3), quindi premere e tenere premuto il pulsante Turbo.

Rilasciando il pulsante Turbo il soffiatore tornerà alla velocità selezionata.



*** Tensione misurata senza carico di lavoro. La tensione iniziale della batteria raggiunge un massimo di 20 Volt. La tensione nominale è di 18 Volt.

BATTERIE E CARICABATTERIE CONSIGLIATI

Categoria	Tipo	Capacità
20V Batteria	KAB04	4.0 Ah
20V Caricabatteria	KAC04	4.0 A

Ti consigliamo di acquistare gli accessori nello stesso negozio dove compri l'utensile. Fare riferimento alla confezione degli accessori per ulteriori dettagli. Il personale del negozio può aiutarti e offrire consulenza.

PER GLI UTENSILI A BATTERIA

La temperatura ambientale d'uso e conservazione dell'elettrodotto e della batteria è di 0-45°C. La temperatura ambientale raccomandata per il caricabatterie durante la ricarica è di 0-40°C.

PULIZIA DELL'APPARECCHIO

Pulire l'apparecchio con regolarità.

⚠ Attenzione! Conservare il prodotto asciutto. Non spruzzare mai con acqua.

- Per la pulizia dell'apparecchio usare un detergente non aggressivo e un panno umido.
- Non utilizzare nessun tipo di detergente, pulitore o solvente che possa contenere sostanze chimiche che potrebbero danneggiare seriamente la plastica.
- Questo prodotto utilizza cuscinetti autolubrificanti, pertanto non è necessario prevedere interventi di manutenzione.

DATI TECNICI

Codice **KG584 KG584.X** (5 - designazione del macchinario, soffiatore senza filo)

	KG584 KG584.X **
Tension	40 V MAX. (2x20 V Max.) ***
Volumen de aire máximo	900 m ³ /h
La vitesse de l'air maximale	290 km/h (with concentrator nozzle)
Peso (Utensile nudo)	1.9 kg

** X = 1-999, A-Z, M1-M9 solo per clienti diversi, non ci sono cambiamenti rilevanti sicuri tra questi modelli.

INFORMAZIONI SUL RUMORE

Pressione acustica ponderata $L_{pA} = 71.18$ dB(A)

$K_{pA} = 3.0$ dB(A)

Potenza acustica ponderata $L_{wA} = 80.1$ dB(A)

$K_{wA} = 3.0$ dB(A)

Indossare protezione per le orecchie.



INFORMAZIONI SULLA VIBRAZIONE

Vibrazione ponderata tipica $a_n < 1.24$ m/s²

Incertezza $K = 3$ m/s²

Il valore totale dichiarato delle vibrazioni può essere utilizzato per confrontare un utensile con un altro e in una valutazione di esposizione preliminare.

⚠ AVVERTENZA: Il valore delle vibrazioni emesse durante il reale utilizzo dello strumento può differire dal valore dichiarato in base ai modi con cui viene usato lo strumento, ai seguenti esempi e ad altre variabili: Come viene usato l'apparecchio e i materiali tagliati o forati.


Le condizioni e la buona manutenzione dello strumento.

L'uso dell'accessorio corretto per il taglio e la sua affilatura, nonché le sue buone condizioni.


La stretta sull'impugnatura e l'eventuale utilizzo di accessori antivibrazione.

L'adeguatezza dell'utilizzo dell'utensile rispetto a quanto previsto.

Questo strumento potrebbe causare la sindrome da vibrazioni mano-braccio se il suo utilizzo non viene gestito correttamente.

 **AVVERTENZA:** Per essere precisi, una stima del livello di esposizione nelle attuali condizioni di utilizzo dovrebbe anche tenere conto di tutte le parti del ciclo operativo, come le volte in cui lo strumento viene spento e il tempo in cui viene lasciato girare a vuoto senza realmente fare il suo lavoro. Questo potrebbe ridurre significativamente il livello di esposizione sul periodo di lavoro totale. Un aiuto a minimizzare il proprio rischio di esposizione alle vibrazioni. USARE sempre scalpelli, trapani e lame affilati. Conservare questo strumento sempre in conformità a queste istruzioni e mantenerlo ben lubrificato (dove appropriato). Se lo strumento deve essere usato regolarmente, investire in accessori antivibrazione. Pianificare il programma di lavoro in modo da suddividere i lavori che implicano le maggiori vibrazioni nell'arco di più giorni.

TUTELA AMBIENTALE

 I prodotti elettrici non possono essere gettati tra i rifiuti domestici. L'apparecchio da rottamare deve essere portato al centro di riciclaggio per un corretto trattamento. Controllare con le autorità locali o con il rivenditore per localizzare il centro di riciclaggio più vicino.

DICHIARAZIONE DI CONFORMITÀ

NOI,
Positec Germany GmbH
Postfach 32 02 16, 50796 Cologne, Germany

Dichiara che l'apparecchio,
Descrizione **Soffiatore senza filo**
Codice **KG584 KG584.X (5 - designazione del macchinario, soffiatore senza filo)**
Funzione **Soffiare detriti**

È conforme alle seguenti direttive,
2006/42/EC, 2014/30/EU
2011/65/EU&(EU)2015/863
2000/14/EC modificata dalla 2005/88/EC

2000/14/EC modificata dalla 2005/88/EC:
- Procedura di conformità come da **Annesso V**
- Potenza acustica pesata **80.1 dB (A)**
- Massima potenza di rumore garantita **81 dB (A)**

conforme a,
EN 60335-1, EN 50636-2-100, EN 62233, EN ISO 3744, EN 55014-1, EN 55014-2

Il responsabile autorizzato alla compilazione della

documentazione tecnica,

Nome Marcel Filz
Indirizzo Positec Germany GmbH
Postfach 32 02 16, 50796 Cologne, Germany



2022/12/09

Allen Ding
Vice capo ingegnere, testing e certificazione
Positec Technology (China) Co., Ltd.
18, Dongwang Road, Suzhou Industrial
Park, Jiangsu 215123, P. R. China

ÍNDICE

Introducción.....	46
Lista De Componentes.....	47
Advertencia de seguridad.....	48
Montaje & Funcionamiento.....	53
limpieza.....	54
Especificaciones.....	54
Protección ambiental.....	55
Declaración de conformidad.....	55

INTRODUCCIÓN

Estimado cliente:

ES

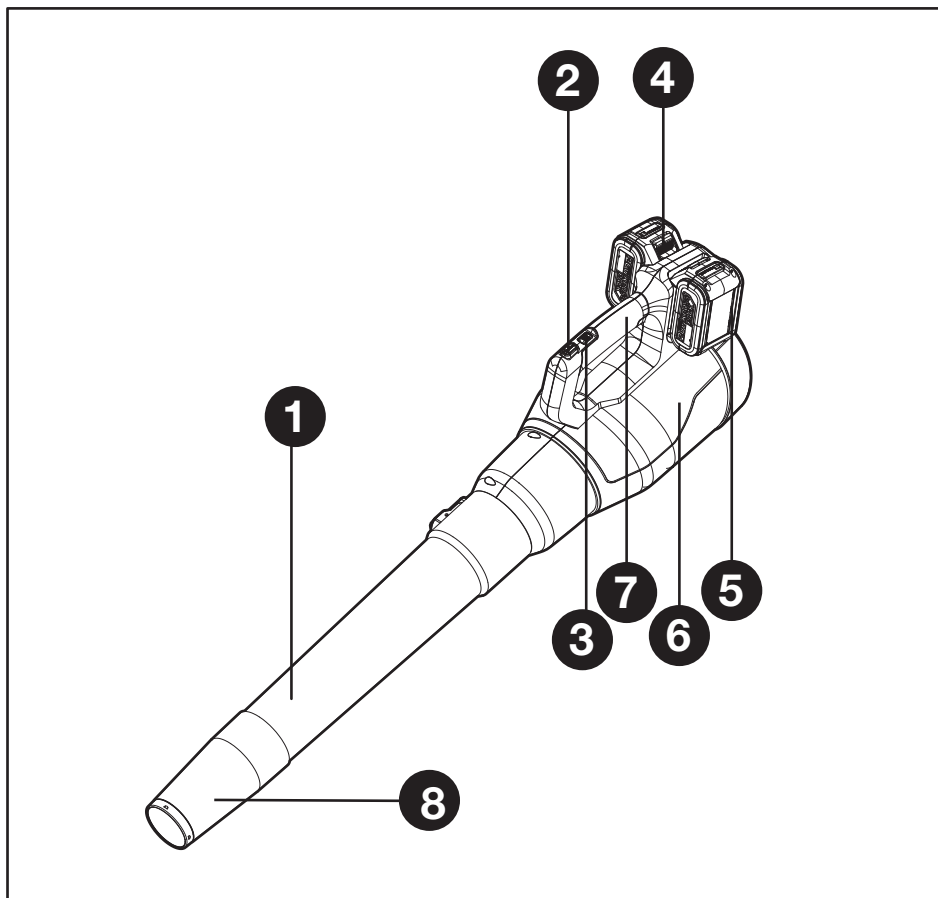
Gracias por comprar este producto Kress. Nos dedicamos a desarrollar productos de alta calidad para satisfacer sus necesidades para césped y jardín.

La marca Kress es sinónimo de servicio de calidad suprema. Durante la vida de nuestros productos, si le surgen preguntas o preocupaciones sobre su producto, póngase en contacto con el lugar de compra o con nuestro Equipo de Atención al Cliente para obtener ayuda.

Confiamos en que, en los años venideros, disfrute trabajando con su producto Kress.

USO INDICADO

El soplador de hojas debe utilizarse únicamente con esta finalidad. No lo utilice dentro del hogar ni para el cuidado de sus mascotas.




LISTA DE COMPONENTES

1. TUBO SOPLADOR
2. BOTÓN TURBO PARA AUMENTAR LA POTENCIA
3. INTERRUPTOR DE ENCENDIDO/APAGADO
4. BOTONES DE LIBERACIÓN DE LA BATERÍA *
5. BATERÍA *
6. CUBIERTA DEL MOTOR *
7. MANGO
8. BOQUILLA CONCENTRADORA *

* Los accesorios ilustrados o descritos pueden no corresponder al material suministrado de serie con el aparato.

SEGURIDAD DEL PRODUCTO

 **Advertencia Leer todas las instrucciones.** *Si no se respetan las instrucciones, existe un riesgo de descargas eléctricas, de incendio y/o de graves heridas.*

Conserve todas las advertencias e instrucciones para futuras consultas.

El aparato únicamente debe utilizarse con la fuente de alimentación suministrada.

**IMPORTANTE
LEER DETENIDAMENTE
ANTES DE UTILIZAR LA
HERRAMIENTA
CONSERVAR PARA
REFERENCIA FUTURA**

**Prácticas de seguridad
operative**

1) Familiarización

- a) Lea cuidadosamente las instrucciones. Familiarícese con los controles y el uso apropiado de la herramienta.
- b) No permita nunca que utilicen la máquina niños, personas con limitaciones físicas, sensoriales o intelectuales o que no posean la experiencia o los conocimientos necesarios, ni personas que no estén

familiarizadas con las presentes instrucciones; la reglamentación local podría limitar la edad del personal operativo.

- c) Nunca utilice la máquina mientras otras personas, especialmente niños o animales domésticos se encuentran en las proximidades.
- d) Recuerde que el usuario u operario es el responsable de los accidentes o riesgos a los que se sometan otras personas o propiedades.

2) Preparación

- a) Siempre use calzado resistente y pantalones largos cuando efectúe el corte de césped; No utilice la máquina con los pies descalzos o con sandalias abiertas. No utilice ropa holgada o que tenga lazos o cordones colgando.
- b) No vista ropas sueltas o joyería que pueda quedar atascada en la toma de aire. Si tiene el pelo largo, mantenga la cabeza alejada de las tomas de aire.
- c) Utilice protección auditiva y gafas de seguridad. No se las quite mientras esté utilizando la máquina.
- d) Utilice la máquina en una postura recomendada y

solo sobre una superficie firme y nivelada.

- e) No utilice la máquina sobre superficies pavimentadas o de gravilla en la cual pudieran despedirse materiales y provocar lesiones personales.
- f) antes de utilizar la máquina, inspecciónela visualmente para comprobar que materiales de sujeción sean firmes, que la carcasa esté en perfectas condiciones y que las protecciones y pantallas estén bien colocadas. Sustituya los componentes deteriorados o desgastados en grupo para conservar el equilibrio. Sustituya también las etiquetas que estén dañadas o que no se puedan leer.

3) Funcionamiento

- a) Antes de arrancar la máquina, compruebe que la cámara de alimentación esté vacía.
- b) Mantenga la cara y el cuerpo alejados de la abertura de alimentación.
- c) No permita que las manos o cualquier otra parte del cuerpo o la ropa entren en la cámara de alimentación o el canal de descarga, ni que se acerquen a ninguna

pieza móvil.

- d) Mantenga una postura equilibrada y bien apoyada en todo momento. No se estire más de lo que le permita el equilibrio. No se suba nunca a una altura superior a la de la base de la máquina cuando añada material.
- e) Manténgase siempre alejado de la zona de descarga cuando utilice la máquina.
- f) si la máquina hace ruidos inusuales o vibra al ponerse en marcha, apáguela inmediatamente y deje que la máquina se detenga. Extraiga la batería de la máquina y realice lo siguiente antes de ponerla en marcha de nuevo para volverla a utilizar:
 - i) Inspeccione si hay daños;
 - ii) Repare o sustituya las piezas dañadas;
 - iii) Revise y apriete las piezas sueltas.
- g) No permita que se acumule material procesado en la zona de descarga; si esto sucede, la descarga no podría realizarse correctamente y podría expulsarse material por la abertura de entrada.
- h) Si la máquina se atasca, apáguela y extraiga la

batería de la máquina antes de limpiar la suciedad.

- i) No utilice el aparato si las protecciones o blindajes están defectuosos, o si no ha colocado los dispositivos de seguridad, como el colector de residuos.
- j) Mantenga la fuente de alimentación libre de suciedad y otras acumulaciones para evitar que resulte dañada o que se produzca un incendio.
- k) No transporte la máquina mientras esté encendida
- l) Desconecte la máquina de la fuente de alimentación siempre en los siguientes casos:
 - siempre que abandone la máquina,
 - antes de reparar una obstrucción o de desatascar el canal,
 - antes de realizar comprobaciones, operaciones de limpieza o trabajar con la máquina;
- m) No utilice la máquina en condiciones meteorológicas adversas, especialmente si existe riesgo de relámpagos.

4) Mantenimiento y almacenamiento

- a) Mantenga tuercas, pernos y tornillos ajustados

para cerciorarse de que la herramienta está en condiciones seguras de trabajo.








- b) Para su seguridad, reemplace las piezas gastadas o dañadas.
- c) Utilice sólo repuestos y accesorios originales.
- d) Guarde la máquina en un lugar seco y fuera del alcance de los niños.
- e) Cuando se detenga la máquina para repararla, revisarla o guardarla, así como para cambiar un accesorio, apague la máquina y desconéctela de la fuente de alimentación y compruebe que todas las piezas móviles se hayan detenido completamente. Deje enfriar la máquina antes de realizar cualquier inspección, ajuste, etc. Extreme las precauciones cuando realice el mantenimiento de la máquina y manténgala siempre limpia.
- f) Guarde la máquina en un lugar seco y fuera del alcance de los niños.
- g) Deje enfriar la máquina siempre antes de guardarla.
- h) No intente anular la función de interbloqueo del protector.

ADVERTENCIAS DE SEGURIDAD PARA LA BATERÍA

- a) No desmonte, abra o destruya las pilas o las baterías recargables.**
- b) No provoque un cortocircuito en la batería. No almacene las baterías de forma descuidada en una caja o cajón donde podría provocar un cortocircuito entre ellas o mediante otros objetos metálicos. Cuando la batería no esté siendo utilizada, manténgala alejada de objetos metálicos, como clips de papel, monedas, llaves, clavos, tornillos u otros objetos metálicos pequeños, que pueden posibilitar la conexión de un borne con otro. Al provocar un cortocircuito con los bornes de la batería se pueden sufrir quemaduras o generar un incendio.**
- c) No exponga las baterías al calor o al fuego. No las guarde expuestas directamente al sol.**
- d) No exponga las baterías a impactos mecánicos.**
- e) En caso de que la batería tenga fugas de líquido, no permita que el líquido entre en contacto con la piel o los ojos. Si se produce el contacto, lave la zona afectada con grandes cantidades de agua y acuda a un médico.**
- g) Mantenga las baterías limpias y secas.**
- h) Limpie los bornes de la batería con un paño limpio si se ensucian.**
- i) Cargue la batería antes de utilizarla. Consulte siempre estas instrucciones y aplique el procedimiento de carga adecuado.**
- j) No deje la batería cargándose durante prolongados períodos de tiempo cuando no se utilice.**
- k) Después de prolongados períodos de almacenamiento, puede que sea necesario cargar y descargar la batería varias veces para obtener el máximo rendimiento.**
- n) Recargue solo con el cargador indicado por Worx. No utilice ningún otro cargador que no sea el específicamente proporcionado para el uso con este equipo.**
- o) No utilice ninguna batería**

distinta a la diseñada para utilizarse con el aparato.

- p) Mantenga la batería fuera del alcance de los niños.
- q) Conserve la documentación original del producto por si tuviera que consultarla en otro momento.
- r) Extraiga la batería del aparato cuando no lo utilice.
- s) Deshágase del producto correctamente.
- t) No se deben mezclar pilas de diferentes fabricantes, capacidad, tamaño o tipo en un mismo dispositivo.
- r) Mantener la batería lejos de microondas y alta presión.

	Advertencia de peligro
	Mantenga alejados a los visitantes.
	Compruebe que se haya extraído la batería antes de cambiar los accesorios.
	Los residuos de aparatos eléctricos y electrónicos no deben depositarse en la basura doméstica. Se deben reciclar en las instalaciones especializadas. Consulte a las autoridades locales o el establecimiento para saber cómo reciclar estos productos.
	Batería de ión de litio. Este producto se ha marcado con un símbolo relacionado con la "colección separada" para todos los paquetes de baterías y paquetes de baterías. Luego se reciclará o desmontará para reducir el impacto en el medio ambiente. Los paquetes de baterías pueden ser peligrosos para el medio ambiente y para la salud humana, ya que contienen sustancias peligrosas.
	No quemar
	Las baterías pueden entrar en el ciclo del agua si se desechan incorrectamente, lo que puede ser peligroso para el ecosistema. No deseche las baterías usadas como residuos municipales sin clasificar.

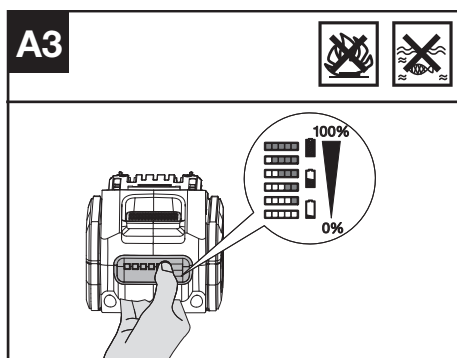
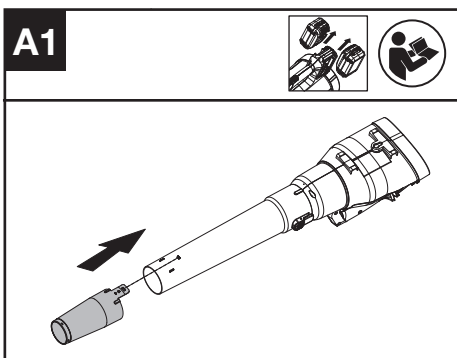
ES

SÍMBOLOS

	Lea el manual
	Utilice protección ocular
	Utilice protección auditiva
	Evite cualquier exposición a la lluvia

MONTAJE Y FUNCIONAMIENTO

ANTES DE UTILIZAR
Instalación de la boquilla concentradora
(Ver Fig. A1)

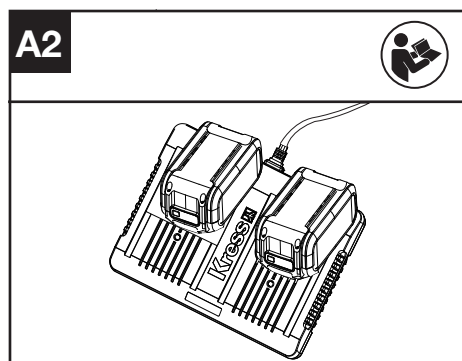


Cargar la batería (Ver Fig. A2)

NOTA:

- La batería está DESCARGADA y debe cargarse antes de utilizarla.
- Cargue siempre las dos baterías por completo y al mismo tiempo. Encontrará más información en el manual del cargador.

⚠ Advertencia! El cargador y la batería han sido específicamente diseñados para funcionar juntos, de modo que no procure utilizar ningún otro dispositivo. Nunca inserte o permita objetos metálicos se acerquen a las conexiones del cargador o de la batería, ya que podrían causar averías y riesgos eléctricos.



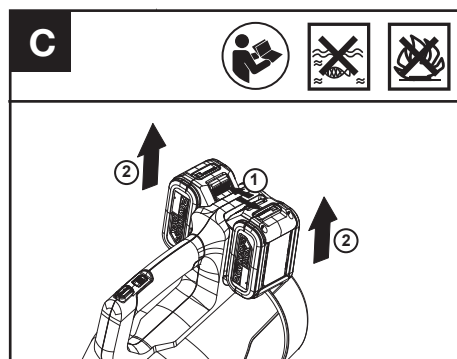
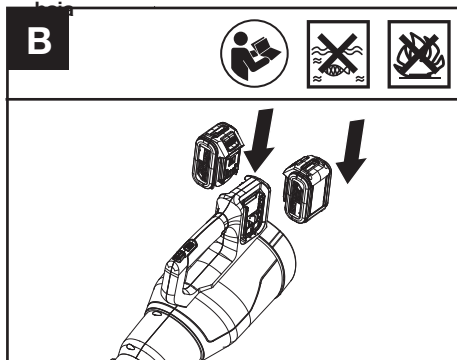
Comprobación del nivel de carga de la batería (Ver Fig. A3)

NOTA: La Fig. A3 solo es aplicable a la batería con indicador de la batería.

Extraer o instalar el pack de batería (Ver Fig. B, C)

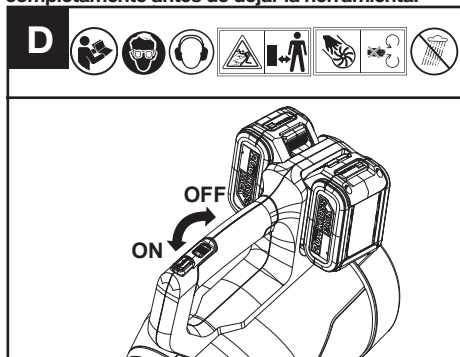
NOTA:

- Esta máquina solo funciona con 2 baterías instaladas. Utilice siempre las dos mismas baterías y cárguelas al mismo tiempo.
- Cuando se utilizan dos baterías con diferente cantidad de energía, la máquina solo funcionará al nivel de la batería con la carga más baja.



FUNCIONAMIENTO Encendido y Apagado (Ver Fig. D)

⚠ Advertencia! La herramienta funcionará durante algunos segundos después de haberla apagado. Deje que el motor se detenga completamente antes de dejar la herramienta.



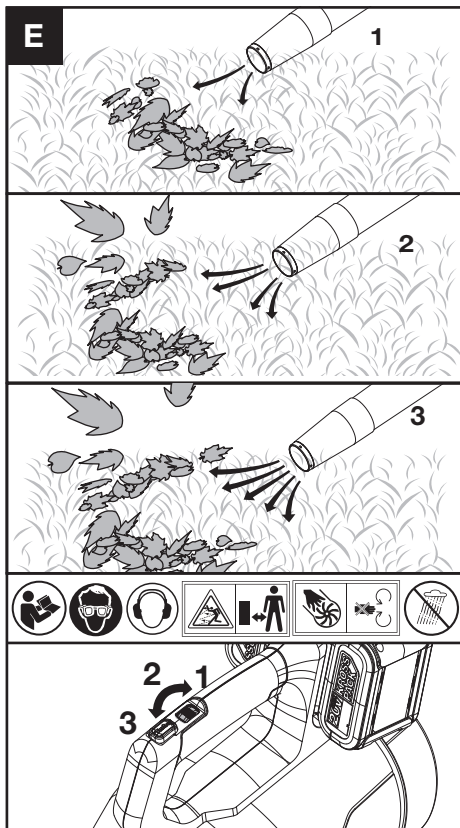
Ajuste de la velocidad de soplado / volumen del aire con el interruptor de 3 velocidades (Ver Fig. E)

SUGERENCIAS DE USUARIO

- Sostenga el tubo de soplado a aproximadamente 8" por encima del suelo mientras utiliza la herramienta. Realice un movimiento de barrido de lado a lado. Avance lentamente.
- Después de crear una pila con las hojas/residuos, será más fácil deshacerse de la pila.

⚠ Precaución!

- No sople objetos duros, como clavos, pernos o rocas.
- No utilice el soplador cerca de observadores o mascotas.
- Tenga especial cuidado al limpiar los residuos de escaleras u otras zonas estrechas.
- Utilice gafas de seguridad u otra protección ocular adecuada, pantalones largos y zapatos.

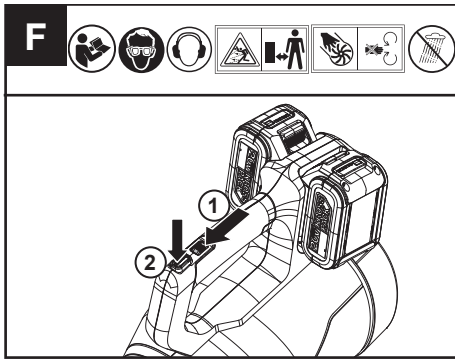


Botón Turbo para aumentar la potencia

NOTA:

- El botón Turbo de aumento de la potencia puede incrementar considerablemente el flujo de aire, y puede usarse para limpiar la suciedad pesada o mojada.
- En primer lugar, encienda el soplador y seleccione una velocidad (de 1, 2 a 3); a continuación, presione el botón Turbo y no lo suelte.

Cuando suelte el botón Turbo, el soplador regresará a la velocidad seleccionada previamente..



PARA LAS HERRAMIENTAS A BATERÍA

El rango de temperatura ambiente para el funcionamiento y el almacenamiento de la herramienta es de 0°C-45°C.

El rango de temperatura ambiente recomendado para el sistema de carga durante el proceso de carga es de 0°C- 40°C.

LIMPIAR LA HERRAMIENTA

Limpie la herramienta con regularidad.

! Advertencia! Mantenga la herramienta seca. No la pulverice con agua bajo ninguna circunstancia.

- Para limpiar la herramienta, utilice sólo jabón suave y un paño húmedo.
- No utilice ningún tipo de detergente, limpiador o disolvente que pueda contener productos químicos. Podría dañar seriamente la carcasa de plástico.
- Su producto utiliza rodamientos autolubricados, por lo que no necesitan lubricación.

DATOS TÉCNICOS

Modelo **KG584 KG584.X** (5 - denominaciones de maquinaria, representante del soplador inalámbrico)

	KG584 KG584.X **
Tensión	40 V \equiv MAX. (2x20 V Max.) ***
Volume máximo do ar	900 m ³ /h
Máxima velocidad de soplado de aire	290 km/h (with concentrator nozzle)

Peso (Sin batería)

1.9 kg

** X = 1-999, A-Z, M1-M9 solo se utilizan para diferentes clientes, no hay cambios relevantes seguros entre estos modelos

*** Voltaje medido sin carga. El voltaje inicial máximo de la batería es de 20 voltios. El voltaje nominal es de 18 voltios.

BATERÍAS Y CARGADORES RECOMENDADOS

Categoría	Tipo	Capacidad
20V Batería	KAB04	4.0 Ah
20V Cargador	KAC04	4.0 A

Recomendamos que adquiera todos sus accesorios en el mismo establecimiento donde compró la herramienta. Consulte los estuches de los accesorios para más detalles. El personal del establecimiento también puede ayudar y aconsejar.

INFORMACIÓN SOBRE EL RUIDO

Nivel de presión acústica de ponderación $L_{pA} = 71.18 \text{ dB(A)}$

$K_{pA} = 3.0 \text{ dB(A)}$

Nivel de potencia acústica de ponderación $L_{wA} = 80.1 \text{ dB(A)}$

$K_{wA} = 3.0 \text{ dB(A)}$

Utilice protección auditiva. 

INFORMACIÓN SOBRE LAS VIBRACIONES

Frecuencia de vibración típica $a_h < 1.24 \text{ m/s}^2$

Incertidumbre $K = 3 \text{ m/s}^2$


El nivel de vibraciones declarado puede utilizarse para realizar comparaciones entre herramientas y para la evaluación preliminar de la exposición.

! ADVERTENCIA: El valor de emisión de vibraciones durante el uso de la herramienta podría ser distinto al valor declarado dependiendo de la forma en que se use la herramienta según las condiciones siguientes, y otras variaciones sobre el uso de la herramienta:

El modo de uso de la herramienta y los materiales que se cortan o perforan.


El estado general y las condiciones de mantenimiento de la herramienta.
La utilización del accesorio correcto para la herramienta y su correcto mantenimiento afilado y en buenas condiciones.
La firme sujeción de las empuñaduras y la utilización de accesorios antivibración.
El uso de la herramienta conforme a su diseño y estas instrucciones.

Esta herramienta podría causar síndrome de vibración mano-brazo si no se utiliza correctamente.

 **ADVERTENCIA:** Para conseguir una mayor precisión, debe tenerse en cuenta una estimación del nivel de exposición en condiciones reales de todas las partes del ciclo de uso, como los tiempos durante los que la herramienta está apagada o el tiempo que está funcionando al ralentí sin realizar ningún trabajo. Esto podría reducir notablemente el nivel de exposición durante el período completo de trabajo.
Cómo minimizar el riesgo de exposición a la vibración.
Utilice SIEMPRE cinceles, brocas y cuchillas afiladas.

Mantenga esta herramienta de acuerdo con estas instrucciones y bien lubricada (si es necesario).
Si la herramienta se utiliza regularmente, invierta en accesorios antivibración.
Planifique su programa de trabajo para distribuir el uso de la herramienta a lo largo de varios días

PROTECCIÓN AMBIENTAL

 Los residuos de aparatos eléctricos y electrónicos no deben depositarse en la basura doméstica. Se deben reciclar en las instalaciones especializadas. Consulte a las autoridades locales o el establecimiento para saber cómo reciclar estos productos.

DECLARACIÓN DE CONFORMIDAD

Los que reciben,
Positec Germany GmbH
Postfach 32 02 16, 50796 Cologne, Germany

Declaran que el producto
Descripción **Soplador inalámbrico**
Modelo **KG584 KG584.X (5- denominación de la máquina, representante del soplador inalámbrico)**
Función **Soplar hojas**

Cumple con las siguientes Directivas,
2006/42/EC, 2014/30/EU
2011/65/EU&(EU)2015/863
2000/14/EC modificada por 2005/88/EC

2000/14/EC modificada por 2005/88/EC:
- Procedimiento de evaluación de la conformidad de acuerdo con **Anexo V**
- Nivel de presión acústica **80.1 dB (A)**
- Nivel de intensidad acústica **81 dB (A)**

Normativas conformes a,
EN 60335-1, EN 50636-2-100, EN 62233, EN ISO 3744, EN 55014-1, EN 55014-2

La persona autorizada para componer el archivo técnico,

Nombre Marcel Filz
Dirección Positec Germany GmbH
Postfach 32 02 16, 50796 Cologne, Germany



2022/12/09
Allen Ding
Ingeniero Jefe Adjunto. Pruebas y Certificación
Positec Technology (China) Co., Ltd.
18, Dongwang Road, Suzhou Industrial
Park, Jiangsu 215123, P. R. China

INHOUDSOPGAVE

Inleiding.....	57
Onderdelenlijst.....	58
Veiligheidswaarschuwingen	59
Assemblage & Bediening.....	63
Schoonmaak.....	65
Specificaties.....	65
Bescherming van het milieu.....	66
Conformiteitverklaring.....	66

INLEIDING

Beste klant,

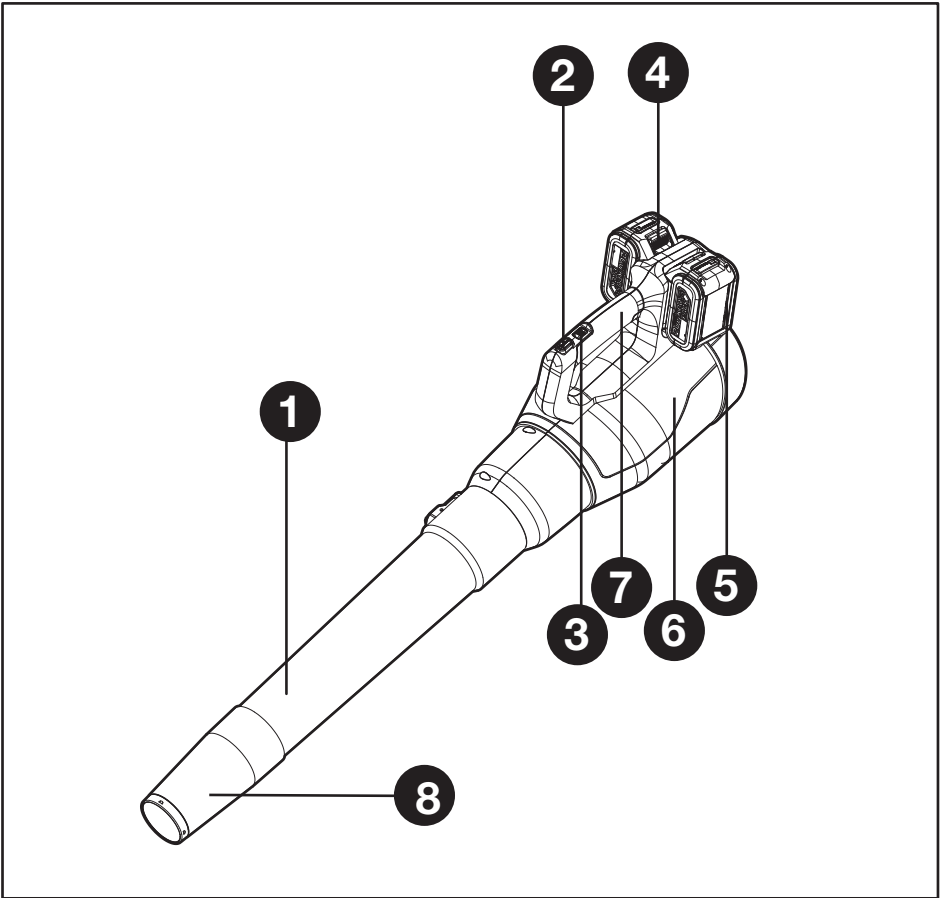
Dank u voor het kopen van dit Kress-product. Wij zijn toegewijd aan het ontwikkelen van producten van hoge kwaliteit om aan uw vereisten voor gazon & tuin te voldoen.

Het merk Kress staat synoniem voor service van topkwaliteit. Als u tijdens de levensduur van uw product vragen of zorgen hebt over uw product, neem dan contact op met uw plaats van aankoop of met onze Klantenservice voor ondersteuning.

Wij zijn ervan overtuigd dat u nog jarenlang plezier zult beleven aan het werken met uw Kress-product.

BEOOGD GEBRUIK

De blazer is bedoeld om afval weg te blazen. Hij is niet bedoeld voor gebruik binnenshuis of om de vacht van een dier te behandelen.



DRIE SNELHEIDSINSTELLINGEN

1. BLAASBUIS
2. TURBO KNOP VOOR POWER BOOSTING
3. AAN/UITSCHAKELAAR
4. KNOP OM BATTERIJ LOS TE MAKEN *
5. ACCUPACK *
6. MOTORBEHUIZING
7. HANDVAT
8. CONCENTRATORMONDSTUK *

* Sommige afgebeelde of beschreven toebehoren worden niet meegeleverd.

PRODUCTVEILIGHEID



WAARSCHUWING

Lees alle instructies zorgvuldig door. *Indien u zich niet aan alle onderstaande instructies houdt, kan dat leiden tot een elektrische schok, brand en/of ernstig letsel.*

Bewaar alle waarschuwingen en instructies voor latere naslag.

Het apparaat mag slechts gebruikt worden met de netadapter die bij het apparaat geleverd wordt.

BELANGRIJK LEES DIT VOOR GEBRUIK BEWAAR DEZE INSTRUCTIES VOOR LATERE NASLAG

Aanwijzingen voor een veilig gebruik

1) Training

- a) Lees de instructies zorgvuldig door. Maak uzelf bekend met de bediening en het juiste gebruik van het apparaat.
- b) Laat nooit kinderen, personen met verminderde fysieke, sensorische of mentale vaardigheden, of zonder ervaring en kennis, of mensen die niet vertrouwd zijn met deze

gebruiksaanwijzingen de machine bedienen, het is mogelijk dat de plaatselijke wetgeving een leeftijdslimiet oplegt.

- c) Bedien de machine nooit wanneer er mensen, met name kinderen, of huisdieren in de buurt zijn.
- d) Denk eraan dat de gebruiker verantwoordelijk is voor ongevallen en schade die ontstaan met andere personen en hun eigendommen.

2) Voorbereiding

- a) Laat nooit kinderen of mensen die niet bekend zijn met deze instructies het apparaat gebruiken. Gebruik de machine niet met blote voeten of als u open sandalen draagt. Vermijd het dragen van kleding die los zit of die loshangende koorden of banden bevat.
- b) Draag geen loszittende kleding of sieraden die door de machine opgezogen kunnen worden. Houd lange haren uit de buurt van de aanzuigopeningen;
- c) Zorg voor gehoorbescherming en een veiligheidsbril. Draag die altijd als u de machine bedient.

- d) Gebruik de machine in een aanbevolen positie en alleen op een stevige, vlakke ondergrond.
- e) Gebruik de machine niet op een verharde vloer of grindoppervlak, waar uitgestoten materiaal letsel veroorzaken kan.
- f) Controleer vóór ingebruikneming altijd visueel of bevestigingsmiddelen goed vast zitten, dat de behuizing onbeschadigd is en dat de beschermers en de kappen correct geplaatst zijn. Vervang versleten of beschadigde onderdelen in groepen om het evenwicht te bewaren. Vervang beschadigde of onleesbare labels.

3) Bediening

- a) Wees ervan overtuigd dat de aanvoerkamer leeg is, voordat de machine gestart wordt.
- b) Houd uw gezicht en lichaam weg van de aanvoeropening.
- c) Houd geen handen, noch andere ledematen of kleding in de aanvoerkamer, de afvoereenheid of in de buurt van een bewegend onderdeel.
- d) Zorg altijd voor een goede

balans en een correcte positie van de voeten. Reik niet te ver. Ga als u materiaal aanvoert, nooit op een hoger niveau staan dan op de basis van de machine.

- e) Blijf altijd uit de buurt van de afvoerzone als u de machine bedient.
- f) Als de machine een vreemd geluid begint te maken, schakel dan de voedingsbron af en zet de machine stil. Verwijder de accu uit de machine en zet de volgende stappen voordat u de machine opnieuw opstart en gaat bedienen:
 - i) controleer op schade;
 - ii) vervang of repareer beschadigde onderdelen;
 - iii) controleer losse onderdelen en zet die vast.
- g) Er mag geen verwerkt materiaal in de afvoerzone komen; dergelijk materiaal kan een juiste afvoer verhinderen en kan terugslag van materiaal door de aanvoeropening tot gevolg hebben.
- h) Als de machine verstopt raakt, koppel hem dan van de voedingsbron af en verwijder de accu uit de machine voordat u brokstukken verwijdert.

- i) Gebruik de machine niet met een beschadigde beschermkap of zonder de veiligheidsvoorzieningen.
 - j) Houd de voedingsbron vrij van brokstukken en andere ophopingen om schade aan de voedingsbron of om brand te voorkomen.
 - k) Transporteer deze machine niet als de voeding actief is.
 - l) Schakel de machine altijd uit vanaf de stroomvoorziening (resp. haal de accu uit de machine)
 - als u de machine verlaat,
 - vóór verwijdering van blokkeringen en brokstukken,
 - voordat u de machine controleert, schoonmaakt of eraan werkt;
 - m) Vermijd het gebruik van de machine in slechte weersomstandigheden in het bijzonder wanneer er een risico op blikseminslag is.
- 4) Onderhoud en opslag**
- a) Zorg ervoor dat alle bouten, moeren en schroeven stevig aangedraaid zijn om er zeker van te zijn dat er veilig met het apparaat gewerkt kan worden.
 - b) Vervang beschadigde of versleten onderdelen voor uw eigen veiligheid.
 - c) Gebruik uitsluitend originele vervangingsonderdelen en toebehoren.
 - d) Sla de machine op een droge plaats buiten het bereik van kinderen op.
 - e) Als de machine wordt gestopt voor onderhoud, inspectie of opslag of om een accessoire te vervangen, dan schakelt u de stroombron af, ontkoppelt u de machine van de aanvoer en zorgt u ervoor dat alle bewegende delen volledig tot stilstand komen. Laat de machine afkoelen voordat u inspecties, aanpassingen, enz. verricht. Onderhoud de machine met zorg en houd hem schoon.
 - f) Sla de machine op een droge plaats buiten het bereik van kinderen op.
 - g) Laat de machine altijd afkoelen voordat hij opgeslagen wordt.
 - h) Probeer nooit de vergrendelingsfunctie van de beschermer uit te schakelen.

NL

VEILIGHEIDSINSTRUCTIES VOOR HET ACCUPACK

- a) **Batterijcellen en accupacks mogen niet gedemonteerd, geopend**

- of vernietigd worden.
- b) **Sluit accupacks niet kort. Bewaar accupacks niet willekeurig in een doos of lade waar ze elkaar kunnen kortsluiten of door geleidende voorwerpen kortgesloten kunnen worden. Houd het accupack op een afstand van andere metalen voorwerpen als paperclips, muntstukken, sleutels, nagels, schroeven en andere kleine metalen voorwerpen die de contacten van de accupack kunnen verbinden. Kortgesloten contacten van accupacks kunnen brandwonden of brand veroorzaken.**
 - c) **Stel accupacks niet bloot aan warmte of vuur. Vermijd opslag in direct zonlicht.**
 - d) **Stel accupacks niet bloot aan mechanische schokken.**
 - e) **Als een accu lekt dient men voorzichtig te zijn dat de vloeistof niet in contact komt met de huid of de ogen. Als dat toch gebeurt spoelt men de huid onder stromend water en raadpleegt men een arts.**
 - f) **Houd batterijcellen en accupacks schoon en droog.**
 - g) **Veeg de aansluitingen van het accupack schoon met een droge doek als ze vuil zijn geworden.**
 - h) **Accupacks moeten voor gebruik worden opgeladen. Lees de gebruiksaanwijzing voor de juiste laadinstructies.**
 - i) **Laat accupacks niet langdurig opladen als ze niet worden gebruikt.**
 - j) **Na een lange opslagperiode kan het nodig zijn het accupack enkele keren op te laden en te ontladen voor een optimale prestatie.**
 - k) **Laad alleen op met een lader met de technische gegevens van Worx. Gebruik geen andere lader dan de lader die specifiek voor dat doel met de apparatuur is meegeleverd.**
 - l) **Gebruikt geen accupack dat niet bedoeld is voor gebruik met deze apparatuur.**
 - m) **Houd accupacks buiten het bereik van kinderen.**
 - n) **Bewaar de oorspronkelijke instructies van het product voor latere**

- gebruik.
- o) Verwijder het batterijpakket uit de apparatuur als het niet in gebruik is.**
- p) Volg de juiste procedure voor afvalverwijdering na afdanken van dit apparaat .**
- q) Gebruik geen cellen van verschillende fabrikanten, capaciteit, afmetingen of typen binnen een apparaat.**
- r) Houd de accu uit de buurt van microgolven en hoge druk.**

SYMBOLLEN

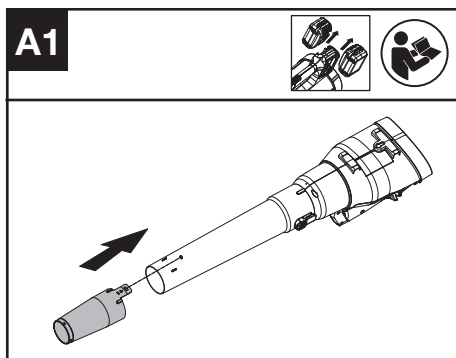
	Lees de gebruiksaanwijzing
	Draag een veiligheidsbril
	Draag oorbescherming
	Niet blootstellen aan regen
	Waarschuwing voor gevaar
	Houd omstanders op afstand.

	Zorg ervoor dat de batterij voorafgaand aan het verwisselen van de accessoires wordt verwijderd.
	Afgedankte elektrische producten mogen niet bij het normale huisafval terechtkomen. Breng deze producten waar mogelijk naar een recyclecentrum bij u in de buurt. Vraag de verkoper of de gemeente informatie en advies over het recyclen van elektrische apparatuur.
	Li-Ion-accu Dit product is uitgerust met een symbool dat 'gescheiden inzameling' aanduidt voor alle accu's. Ze worden dan gerecycled of gedemonteerd om de impact op het milieu te verminderen. Accu's kunnen gevaarlijk zijn voor het milieu en de menselijke gezondheid, omdat ze gevaarlijke stoffen bevatten.
	Niet verbranden.
	Accu's kunnen in de waterkringloop terechtkomen als ze op onjuiste wijze worden weggegooid, wat gevaarlijk kan zijn voor het ecosysteem. Gooi afgedankte accu's niet weg bij het ongesorteerde huishoudelijke afval

NL

ASSEMBLAGE EN BEDIENING

VOOR GEBRUIK
montage van concentratormondstuk (Zie afb. A1)



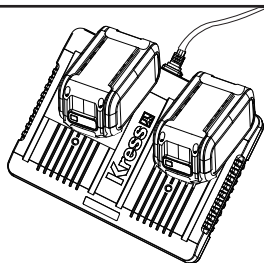
Laden van het accupack (Zie afb. A2)

OPMERKING:

- Het accupack is NIET opgeladen. Deze moet u dus voor gebruik opladen.
- Laad de twee accu's altijd op hetzelfde moment op. U vindt meer gedetailleerde informatie in de handleiding voor het laadapparaat.

! Waarschuwing! De oplader en het accupack zijn ontworpen om samen gebruikt te worden, probeer dus geen andere apparaten te gebruiken. Zorg ervoor dat er nooit metalen objecten in de oplader of de contactpunten van het accupack komen, dit kan zorgen voor een elektrische schok en is gevaarlijk.

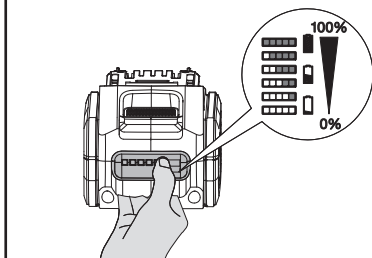
A2



Controleren van de laadtoestand van het accupack (Zie afb. A3)

OPMERKING: Fig. A3 is alleen geschikt voor het accupack met indicatielampje voor de accu.

A3



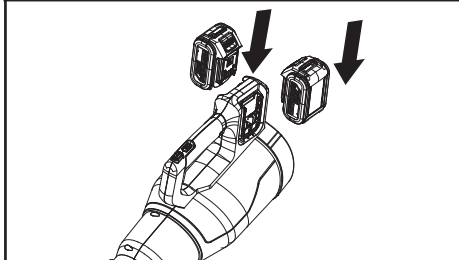
Het accupack verwijderen of plaatsen (Zie afb. B, C)

OPMERKING:

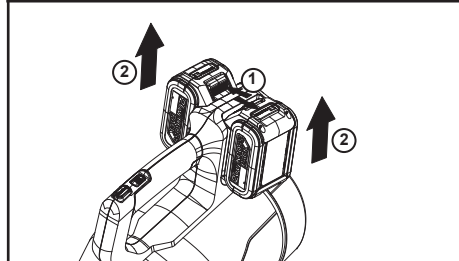
- Dit apparaat draait alleen als er twee accu's zijn geplaatst. Gebruik altijd dezelfde twee accu's en laad de twee accu's op hetzelfde moment op.
- Als u twee accu's met verschillend vermo-

gen gebruikt, de machine loopt alleen tot het niveau van de laagst opgeladen accu.

B



C

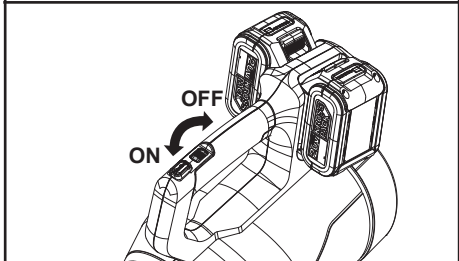


BEDIENING

STARTEN EN STOPPEN (Zie afb. D)

! Waarschuwing! De machine draait na het uitschakelen een paar seconden door. Laat de motor volledig tot stilstand komen voor u de machine neerzet.

D



Voor het instellen van de luchtsnelheid/ luchtvolumesnelheid gebruikt u een

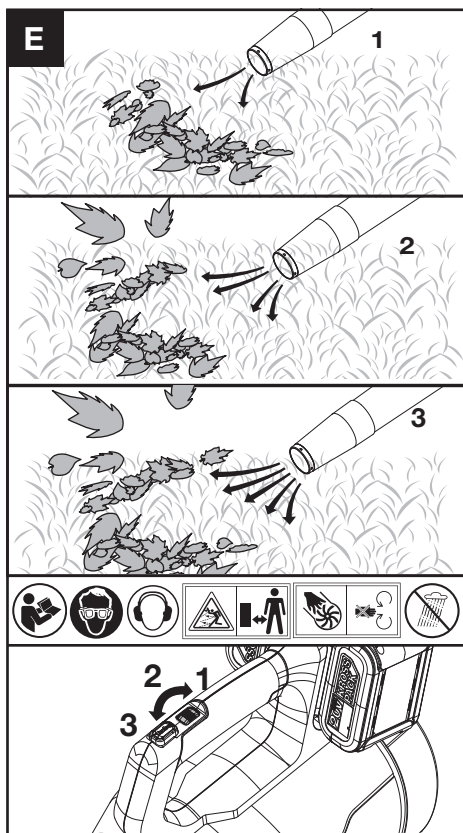
schakelaar met 3-snelheden. (Zie afb. E)

TIPS VOOR DE GEBRUIKER

- Houd de uitblaasbuis ongeveer 8" boven de rond als u met de machine werkt. Zwaai heen en weer.
- Nadat al het materiaal en de bladeren op een hoop zijn geblazen, is het gemakkelijk de hoop weg te werpen.

! LET OP!

- Blaas geen harde voorwerpen weg, zoals spijkers, bouten en stenen.
- Gebruik de blazer niet in de buurt van omstanders en dieren.
- Wees extra voorzichtig als u vuil opruimt van een trap of een ander plaats waar de ruimte beperkt is.
- Draag een veiligheidsbril of een andere geschikte oogbescherming, een lange broek en schoenen.



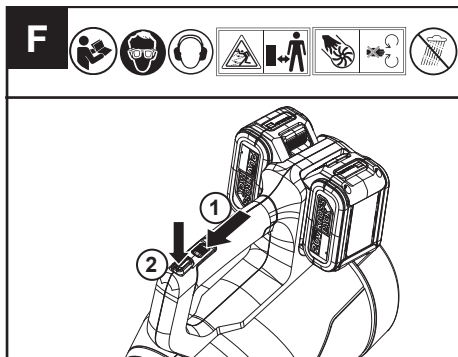
Turbo knop voor power boosting

NOTE:

- Turbo knop voor powerboosting kan een sterke luchtstroom veroorzaken, deze kan worden gebruikt voor sterke vervuiling of puin/modder.

- Schakel eerst de blower in en selecteer een snelheid (van 1,2 tot 3) druk daarna op de turbo knop en houd deze ingedrukt.

Als u de turbo knop loslaat gaat de blower naar de vorige geselecteerde snelheid.



VOOR GEREEDSCHAP MET ACCU'S

De omgevingstemperatuur voor het gebruik van het gereedschap en de accu en de opslag ligt tussen 0°C en 45°C.

De aanbevolen omgevingstemperatuur voor het laadsysteem tijdens het opladen ligt tussen 0°C en 40°C.

DE MACHINE SCHOONMAKEN

Maak de machine geregeld schoon.

- ! **Waarschuwing! Houd de machine droog. Besproei hem nimmer met water.**

- Om de machine schoon te maken, gebruikt u alleen milde zeep en een vochtige doek.
- Gebruik geen detergent, schoonmaakmiddelen of oplosmiddelen die chemicaliën zouden kunnen bevatten die het plastic beschadigen.
- De machine heeft zelfsmerende lagers. Deze hoeven niet gesmeerd te worden.

TECHNISCHE GEGEVENS

Type **KG584 KG584.X** (5 - aanduiding van machinerie, Vertegenwoordiger van Accu Blower)

	KG584 KG584.X **
Spanning	40 V $\overline{\text{---}}$ MAX. (2x20 V Max.) ***
Maximaal luchtvolume	900 m ³ /h

Maximale luchtsnelheid	290 km/h (with concentrator nozzle)
Gewicht machine (Kaal gereedschap)	1.9 kg

** X = 1-999, A-Z, M1-M9 zijn alleen voor verschillende klanten, er zijn geen veiligheidsgerelateerde wijzigingen tussen deze modellen.

*** Spanning gemeten zonder belasting.
Beginspanning batterij bereikt maximum 20 volt.
Nominale spanning is 18 volt.

JAVASOLT AKKUMULÁTOROK ÉS TÖLTŐK

Categorie	Typ	Hoedanigheid
20V Accu	KAB04	4.0 Ah
20V Laber	KAC04	4.0 A

Wij adviseren u alle accessoires te kopen in de winkel waar u het gereedschap heeft gekocht. Kijk op de verpakking van het accessoire voor meer informatie. Ook het winkelpersoneel kan u helpen en adviseren.

NL

GELUIDSPRODUCTIE

A- gewogen geluidsdruk $L_{pA} = 71.18 \text{ dB(A)}$

K_{pA} 3.0 dB(A)

A- gewogen geluidsvermogen $L_{wA} = 80.1 \text{ dB(A)}$

K_{wA} 3.0 dB(A)

Draag oorbescherming.



TRILLINGSGEGEVENS

Gewogen trillingswaarde $a_h < 1.24 \text{ m/s}^2$

Onzekerheid $K = 3 \text{ m/s}^2$

De aangegeven totale trillingswaarde kan worden gebruikt om het ene gereedschap te vergelijken met het andere, en kan ook worden gebruikt in een voorlopige beoordeling van de blootstelling.

WAARSCHUWING: De trillings emissie waarde tijdens het feitelijke gebruik van dit elektrisch gereedschap kan afwijken van de opgegeven waarde, afhankelijk van de wijze waarop het gereedschap wordt gebruikt, zoals in de volgende voorbeelden:

Hoe het gereedschap wordt gebruikt en welk materiaal wordt gesneden of geboord.
Of het gereedschap in goede staat verkeerd en

correct wordt onderhouden.

Gebruik van de juiste toebehoren voor het gereedschap en of deze scherp zijn en in goede staat verkeren.

De stevigheid van de grip op de handgrepen en het eventuele gebruik van antivibratie-accessoires.

En of het gereedschap wordt gebruikt waarvoor het ontworpen is en in overeenstemming met deze instructies.

Dit gereedschap kan een trillingsyndroom in de handen en armen veroorzaken als het niet op de juiste wijze gehanteerd wordt.



WAARSCHUWING: Voor de

nauwkeurigheid moet bij een schatting van het blootstellingsniveau in de feitelijke gebruiksomstandigheden rekening worden gehouden met alle delen van de bedrijfscyclus, zoals het moment waarop het gereedschap wordt uitgeschakeld en terwijl het gereedschap in werking is zonder daadwerkelijk gebruikt te worden. Dit kan het blootstellingsniveau over de totale werkperiode aanzienlijk verminderen.

Help de blootstelling aan trillingen te minimaliseren.

Gebruik ALTIJD scherpe beitels, boren en messen. Onderhoud het gereedschap in overeenstemming met deze instructies en houd het goed gesmeerd (indien van toepassing).

Schaf antivibratie- accessoires aan wanneer u het gereedschap geregeld gebruikt.

Plan de werkzaamheden zodat de taken met veel trillingen over een aantal dagen verspreid worden.

BESCHERMING VAN HET MILIEU

Afgedankte elektrische producten mogen niet bij het normale huisafval terechtkomen.

Breng deze producten waar mogelijk naar een recyclecentrum bij u in de buurt. Vraag de verkoper of de gemeente informatie en advies over het recyclen van elektrische apparatuur.

CONFORMITEITVERKLARING

Wij,
Positec Germany GmbH
Postfach 32 02 16, 50796 Cologne, Germany

Verklaren dat het product,
Beschrijving **Accu Blower**
Type **KG584 KG584.X(5 - aanduiding van machinerie, Vertegenwoordiger van Accu Blower)**
Functie **Wegblazen**

Overeenkomt met de volgende richtlijnen,
2006/42/EC, 2014/30/EU

2011/65/EU&(EU)2015/863

2000/14/EC gewijzigd door 2005/88/EC

2000/14/EC gewijzigd door 2005/88/EC:

- Procedure beoordeling conformiteit volgens

Annex V

- Niveau gemeten geluidsvermogen **80.1 dB (A)**

- Opgegeven, gegarandeerde niveau
geluidsvermogen **81 dB (A)**

Standaards in overeenstemming met,

**EN 60335-1, EN 50636-2-100, EN 62233, EN ISO
3744, EN 55014-1, EN 55014-2**

De persoon die bevoegd is om het technische
bestand te compileren,

Naam Marcel Filz

Adres Positec Germany GmbH

Postfach 32 02 16, 50796 Cologne, Germany



2022/12/09

Allen Ding

Plaatsvervangend Chief Ingenieur, Testen en
Certificering

Positec Technology (China) Co., Ltd
18, Dongwang Road, Suzhou Industrial
Park, Jiangsu 215123, P. R. China

NL

INDHOLDSFORTEGNELSE

Introduktion.....	68
Lista de componentes.....	69
Sikkerhedsinstruktioner	70
Samling & Drift	74
Rengøring.....	76
Specifikationer.....	76
Miljøbeskyttelse.....	77
Declaração De Conformidade.....	77

INTRODUKTION

Kære kunde,

DK

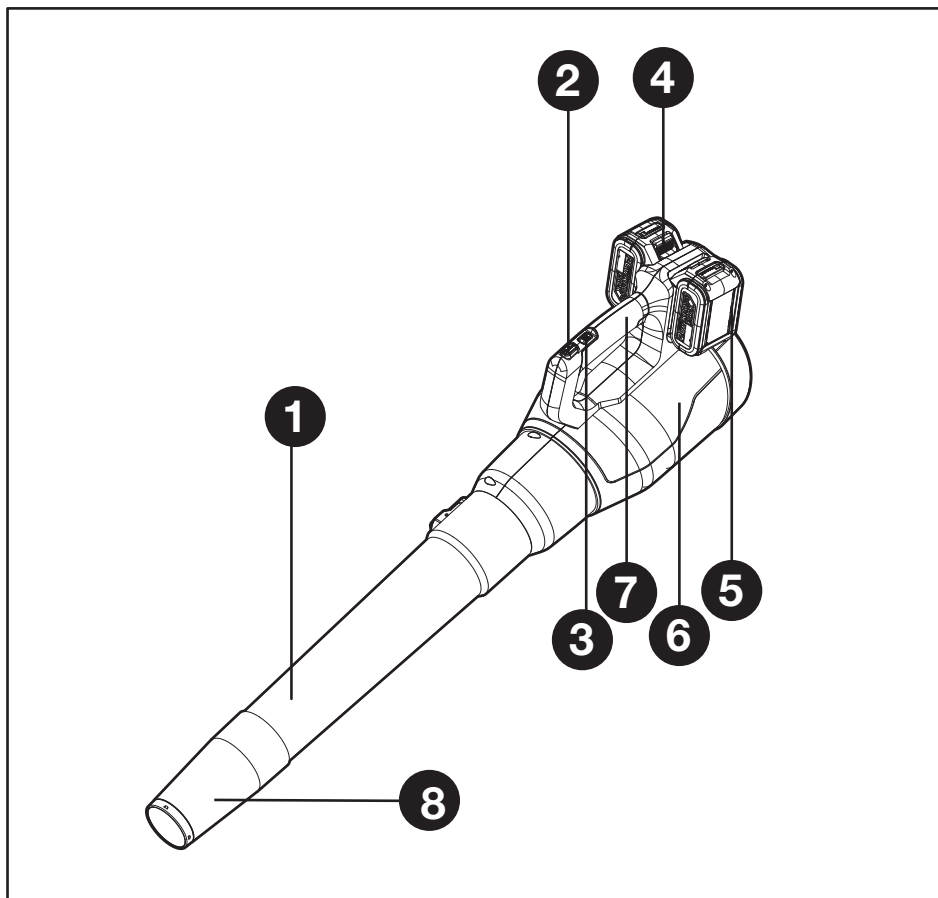
Tak, fordi du købte dette Kress-produkt. Vi har specialiseret os i at udvikle produkter af høj kvalitet, der dækker dine krav til din plæne og din have.

Kress-mærket står for service af førsteklasses kvalitet. Bed din lokale sælger eller vores kundeserviceteam om hjælp, hvis du har spørgsmål om eller problemer med produktet i dets levetid.

Vi er overbeviste om, at du vil nyde at bruge dit Kress-produkt i de kommende år.

FORESKREVET ANVENDELSE

Blæseren er kun beregnet til privat brug. Brug blæseren udendørs til at flytte haveaffald efter behov.



AGGREGATELEMENTER

1. BLÆSERRØR
2. TURBO-KNAP TIL POWER BOOST
3. TÆND-SLUK-KNAP
4. UDLØSERKNAPPER TIL BATTERIENHEDEN *
5. BATTERIENHED *
6. MOTORHUS
7. HANDLE
8. KONCENTRATORDYSE *

* ILLUSTRERET ELLER BESKREVET TILBEHØR ER KUN DELVIS INDEHOLDT I LEVERANCEN.

PRODUKTSIKKERHED



ADVARSEL Læs samtlige anvisninger.

Manglende overholdelse af nedenstående anvisninger kan resultere i elektrisk stød, brand og/eller alvorlig personskade.

Gem alle advarsler og instruktioner for fremtidig reference.

Apparatet må kun anvendes sammen med den leverede strømforsyningsenhed.

VIGTIGT LÆS FORSIGTIGT FØR BRUG BEHOLD TIL SENERE BRUG

Sikker brugspraksis

1) Uddannelse

- a) Læs disse instruktioner omhyggeligt. Sæt dig ind i kontrolgrebene og passende brug af maskinen.
- b) Lad aldrig børn, personer med nedsatte fysiske, sensoriske eller mentale evner eller manglende erfaring og viden, eller folk der ikke kender disse instruktioner bruge maskinen; lokale regler kan begrænse alderen for operatøren.
- c) Brug aldrig apparatet når mennesker, specielt børn, eller kæledyr er tæt på.
- d) Operatøren, eller brugeren

er ansvarlig for ulykker eller farer der opstår på andre personer eller på deres ejendom.

2) FORBEREDELSE

- a) Mens du bruger dette apparat skal du altid anvende solidt fodtøj og lange bukser. Brug ikke apparatet når du er barfodet eller bærer åbne sandaler. Undgå at bære tøj, der er løsthængende, eller som har hængende snore, eller slips.
- b) Bær ikke løstsiddende tøj eller smykker, der kan blive suget ind i luftindsugningen. Hold langt hår væk fra luftindsugningen.
- c) Bær beskyttelsesbriller under brug.
- d) Betjen maskinen i en anbefalet position og kun på en fast, plan overflade.
- e) Betjen ikke maskinen på en brolagt eller en grusdækket overflade, hvor udkastet materiale kan forårsage skade.
- f) Inspicér altid visuelt før brug for at se, om fastgørelsesmidler er sikre, kabinettet ikke er beskadiget, og at overvågning og skærme er på plads. Udskift slidte eller ødelagte komponenter i sæt for at bevare balance. Udskift ødelagte eller ulæselige mærkater.

3) Betjening

- a) Før du starter maskinen, sørg for at foderkammeret er tomt.
- b) Hold dit ansigt og din krop væk fra foderoptagelsesåbningen.
- c) Tillad ikke hænder eller andre dele af kroppen eller tøj at komme ind i foderkammeret, udkastningsrenden eller nær andre bevægende dele.
- d) Hold en passende balance og fodfæste på alle tidspunkter. Ræk ikke for langt ud. Stå aldrig på et højere niveau end maskinens sokkel, når du fodrer den med materiale.
- e) Stå altid væk fra udkastningszonen, når du betjener denne maskine.
- f) Hvis maskinen begynder at lave nogle usædvanlige lyde eller vibrationer, sluk med det samme for strømkilden og lad maskinen stoppe. Fjern batteripakken fra maskinen og foretag følgende trin før du genstarter og betjener maskinen:
 - i) Kontroller hvis de ikke blev beskadiget.;
 - ii) Udskift el. reparer alle beskadigede dele;
 - iii) Kontroller og fastspænd alle løse dele.
- g) Lad ikke færdigbehandlet materiale opbygges i udkastningszonen; dette kan forhindre korrekt udkastning og resultere i tilbageslag af materiale gennem indførselsåbningen.
- h) Hvis maskinen bliver tilstoppet, sluk for strømkilden og fjern batteripakken fra maskinen før du renser for overskydende materiale.
- i) Brug ikke apparatet med defekte beskyttelsesskærme eller uden sikkerhedsforanstaltninger.
- j) Hold strømkilden fri for overskydende materiale og anden ophobning for at forhindre skade på strømkilden og mulig brand.
- k) Transportér ikke denne maskine mens strømkilden stadig er tændt.
- l) Afbryd altid maskinen fra strømkilden (f.eks. fjern batteripakken fra maskinen)
 - Når du forlader maskinen
 - Før du fjerner en blokering;
 - før kontrol, rengøring eller arbejde på maskinen;
- m) Undgå at bruge maskinen under dårlige vejrforhold, især når der er risiko for lyn.

4) VEDLIGEHOLDELSE OG OPBEVARING

- a) Hold alle møtrikker, bolte og skruer spændte for at sikre at apparatet er i sikker arbejdsstand.

- b) Udskift slidte eller defekte dele.
- c) Brug kun originale reservedele og tilbehør.
- d) Opbevar maskinen på et tørt sted utilgængeligt for børn.
- e) Når maskinen er standset for service, inspektion eller opbevaring, eller for at ændre tilbehør, sluk for strømkilden og kobl maskinen fra kilden og sørg for at alle bevægende dele står fuldstændigt stille. Tillad maskinen at køle ned før foretagelse af inspektioner, justeringer, etc. Vedligehold maskinen med omhu og hold den ren.
- f) Opbevar maskinen på et tørt sted utilgængeligt for børn.
- g) Før opmagasinering lad plæneklipperen altid køle ned.
- h) Prøv aldrig at tilsidesætte skærmens låsefunktion.

SIKKERHEDSFORSKRIFTER TIL BATTERISÆT

- a) **Sekundærelementer eller batterisæt må ikke skilles ad, åbnes eller knuses.**
- b) **Et batterisæt må ikke kortsluttes. Batterisæt må ikke opbevares lemfældigt i en kasse eller skuffe, hvor de kan kortslutte hinanden eller kortsluttes af**

ledende genstande. Når batterisættet ikke er i brug, skal det holdes væk fra andre metalgenstande, såsom papirclips, mønter, nøgler, søm, skruer eller andre små metalgenstande, der kan skabe en forbindelse fra en pol til en anden, Kortslutning af batteripoler kan medføre forbrændinger eller brand.

- c) **Batterisæt må ikke udsættes for varme eller ild. Må ikke opbevares i direkte sollys.**
- d) **Batterisæt må ikke udsættes for mekaniske stød.**
- e) **I tilfælde af at et batteri lækker, må væsken ikke komme i kontakt med huden eller øjne. Hvis der er sket kontakt, skal det berørte område vaskes med rigelige mængder vand, hvorefter der søges lægehjælp.**
- f) **Opbevar batterisæt på et rent og tørt sted.**
- g) **Aftør batterisættets poler med en tør klud, hvis de bliver snavsede.**
- h) **Batterisæt skal oplades før anvendelsen. Anvend altid den korrekte oplader, og læs producentens anvisninger eller brugervejledning for, hvordan batterierne**

- oplades korrekt.
- i) Et batterisæt må ikke efterlades til opladning i længere tid, hvis det ikke anvendes.
- j) Efter længere opbevaringsperioder kan det være nødvendigt at oplade eller aflade batterisættet flere gange for at op den optimale ydelse.
- k) Genoplad kun med laderen specificeret af Worx. Anvend ingen anden oplader end den, der specifikt er beregnet til brug med udstyret.
- l) Brug kun det korrekte batteri til udstyret.
- m) Batterisættet skal opbevares utilgængeligt for børn.
- n) Opbevar den originale produktlitteratur til fremtidig brug.
- o) Batterisættet skal fjernes fra udstyret, når det ikke er i brug.
- p) Bortskaffes på en miljørigtig måde.
- q) Bland ikke batterier af forskellig fremstilling, kapacitet, størrelse eller type i enheden.
- r) Hold batteriet væk fra mikrobølgeovne og højt tryk.

SYMBOLER

	Læs brugsanvisningen
	Bær øjenværn
	Bær høreværn
	Udsæt ikke for regn
	Advarsel om risiko
	Hold tilskuere eller børn væk
	Fjern batteriet fra holderen før udførelse af justeringer, eftersyn eller vedligeholdelse.
	Elektrisk affald må ikke smides ud sammen med dit almindelige husholdningsaffald. Du bedes venligst genbruge affaldet hvis muligt. Forhør dig hos din lokale kommune eller din forhandler vedrørende genbrug.
	Lithium-ion batteri Dette produkt er mærket med et symbol i forbindelse med "separat indsamling" af alle batterier og batteripakker. Det genanvendes eller fjernes for at reducere miljøbelastningen. Batteriet kan være skadeligt for miljøet og menneskers sundhed, fordi det indeholder skadelige stoffer.
	Må ikke brændes

DK



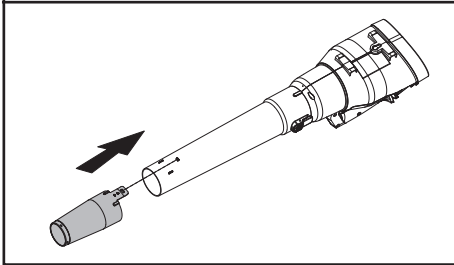
Batterier kan påvirke vandmiljøet, hvis de ikke bortskaffes korrekt, hvorved de kan udgøre en fare for økosystemet. Bortskaf ikke batterierne som almindeligt affald.

SAMLING OG BETJENING

FØR BRUG

Montering af koncentratorudfyld (Se Fig. A1)

A1



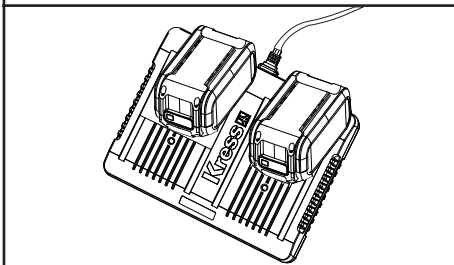
Oplad batteriet (Se Fig. A2)

BEMÆRK:

- Batteripakken leveres uopladet. Batteriet skal være helt opladet før første brug.
- Oplad altid begge batterier fuldstændigt og samtidigt. Flere detaljer kan findes i manualen.

! ADVARSEL! Oplader og batterienhed er specielt beregnet til at blive brugt sammen. Brug ikke andre batterienheder eller opladere. Sæt aldrig metalgenstande ind i opladeren eller batterienheden. Dette kan føre til elektrisk fejl, der kan medføre fare.

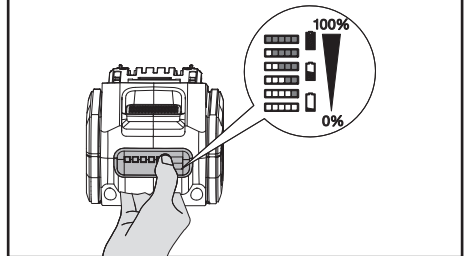
A2



Tjek af batteriniveauets tilstand (Se Fig. A3)

BEMÆRK: Fig. A3 gælder kun for batteripakken med batteriindikatorlampen

A3

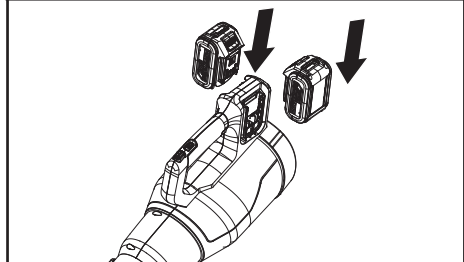


Sådan fjernes eller isættes batterienheden (Se Fig. B, C)

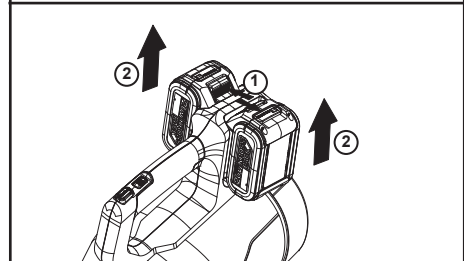
BEMÆRK:

- Denne maskine vil kun virke når begge batterier er installeret. Brug altid de samme to batterier og oplad begge batterier samtidigt.
- Når du bruger to batterier med forskellig strøm, maskinen fungerer kun på niveau med den laveste opladte batteri

B



C

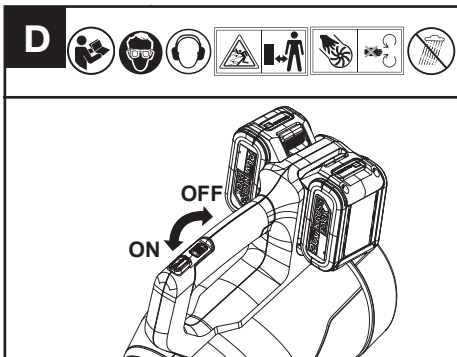


BETJENING

Start og stop (Se Fig. D)

! ADVARSEL! Redskabet kører videre et par sekunder efter, at der er slukket for det.

Lad motoren standse helt, inden du sætter redskabet fra dig.



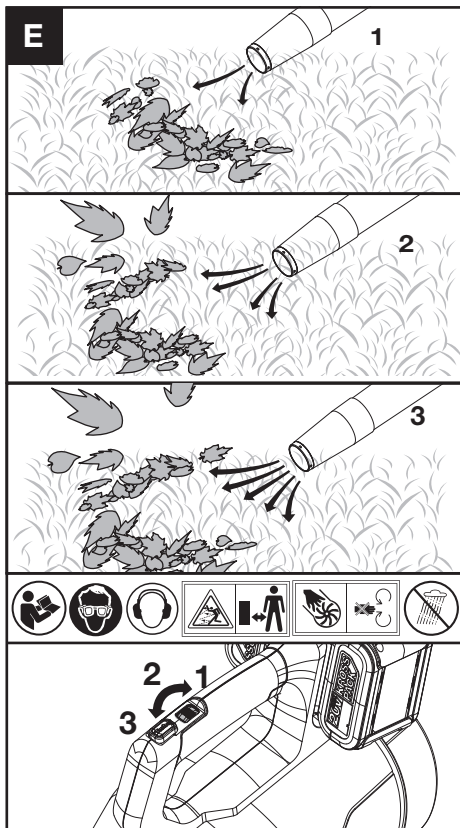
Juster blæsehastigheden/luftmængde med 3-hastighedskontakten (Se Fig. E)

BRUGERTIPS

- Hold blæserrøret ca. 8" over jorden, mens redskabet betjenes. Bevæg redskabet med en fejende bevægelse fra side til side.
- Når affaldet/bladene er samlet i en bunke, er det nemt at bortskaffe dem på behørigt vis.

! Forsigtig!

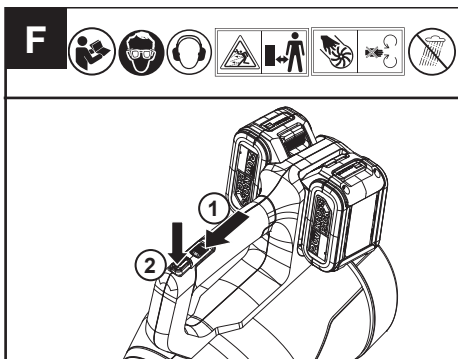
- Blæs aldrig direkte på hårde genstande, såsom søm, skruer, bolte eller sten.
- Blæseren må ikke anvendes i nærheden af tilskuere eller kæledyr.
- Udvis særlig forsigtighed, når rengøringen foregår på trapper eller i tillukkede områder.
- Bær altid sikkerhedsbriller eller anden passende øjenbeskyttelse, lange bukser og sko.



Turbo-knap til power boost

BEMÆRK:

- Turbo-knappen til power boost kan øge luftstrømmen betydeligt, og den kan bruges til rydning af tungt eller vådt affald.
- Tænd først blæseren og vælg en hastighedsregulering (enhver hastighed fra 1,2 til 3), og tryk derefter på turbo-knappen og hold den nede. Slip turbo-knappen, og blæseren vender tilbage til den tidligere valgte hastighed.



indledende batterispænding når maksimalt op på 20 volt. Nominel spænding er 18 volt.

ANBEFALEDE BATTERIER OG OPLADERE

Kategori	typen	Kapacitet
20V batteri	KAB04	4.0 Ah
20V oplader	KAC04	4.0 A

Det anbefales, at alt udstyr købes i samme butik som maskinen. Se på emballagen til tilbehør for at få yderligere oplysninger. Få hjælp og råd i butikken.

TIL BATTERIREDSKABER

Værktøj og batteri bør kun anvendes og opbevares i omgivelsestemperaturområdet 0°C- 45°C.

Det anbefalede omgivelsestemperaturområde for opladningssystemet under opladningen er 0°C-40°C.

SÅDAN RENGØRES REDSKABET

DK Rengør redskabet regelmæssigt.

⚠ ADVARSEL ! Hold redskabet tørt. Der må under ingen omstændigheder sprøjtes vand på det

- Anvend kun en fugtet klud med mild sæbe til rengøringen.
- **Advarsel ! Der må ikke anvendes nogen form for rengørings-, rense- eller opløsningsmiddel, som indeholder kemikalier, der kan beskadige plastikken.**
- Er udstyret med selvmørende lejer, så der kræves ingen smøring af lejerne.

TEKNISK DATA

Type **KG584 KG584.X (5 - udpegning af maskiner, repræsentant for Batteri-betjent blæser)**

	KG584 KG584.X **
Spænding	40 V \equiv MAX. (2x20 V Max.) ***
Maksimal luftmængde	900 m ³ /h
Den maksimale lufthastighed	290 km/h (with concentrator nozzle)
Maskinens (Bare værktøjer)	1.9 kg

** X = 1-999, A-Z, M1-M9 er kun til forskellige kunder, der er ingen sikkerhedsrelaterede ændringer mellem disse modeller.

*** Spændingen er målt uden arbejdsbelastning. Den

STØJINFORMATION

A-vægtet lydtryksniveau $L_{pA} = 71.18 \text{ dB(A)}$

$K_{pA} = 3.0 \text{ dB(A)}$

A-vægtet lydeffektniveau $L_{wA} = 80.1 \text{ dB(A)}$

$K_{wA} = 3.0 \text{ dB(A)}$

Bær høreværn



VIBRATIONSINFORMATION

Typisk vægtet vibration $a_h < 1.24 \text{ m/s}^2$

Usikkerhed $K = 3 \text{ m/s}^2$

Den angivne samlede vibrationsværdi kan bruges til at sammenligne værktøjer, og kan også bruges til at danne et skøn over eksponeringen.

⚠ ADVARSEL: Vibrationsværdien under den faktiske brug af maskinværktøjet kan afvige fra den opgivne værdi afhængigt af måderne, værktøjet benyttes på. Se følgende eksempler på, hvad vibrationerne kan afhænge af: Hvordan værktøjet bruges og materialerne, der skæres eller bores i.

Værktøjets stand og vedligeholdelse. Anvendelse af korrekt tilbehør og kontrol med, at det er skarpt og i en i det hele taget god tilstand. Hvor kraftigt, der holdes fast i håndtaget og, om der benyttes antivibrationsudstyr. Om værktøjet anvendes i henhold til dets konstruktion og nærværende anvisninger.

Værktøjet kan medføre et hånd/arm-vibrationssyndrom, hvis det ikke bruges på rigtig måde.

⚠ ADVARSEL: En vurdering af udsættelsesgraden under det aktuelle brug skal omfatte alle dele af arbejds cyklussen,

hherunder antallet af gange værktøjet slås til og fra, og tomgangsdriften uden for selve arbejdsopgaven. Dette kan afgørende reducere udsættelsesniveauet i den samlede arbejdsperiode.

Sådan kan du minimere risikoen for udsættelse for vibrationer:

Brug ALTID skarpe mejsler, bør og blade.

Vedligehold værktøjet i overensstemmelse med disse instruktioner og hold det korrekt smurt (hvor det er nødvendigt).

Hvis værktøjet bruges ofte, bør du anskaffe antivibrationsudstyr.

Planlæg dit arbejde, så du kan fordele arbejde med kraftige vibrationer over flere dage.

2022/04/06

Allen Ding
Vicechef; Ingeniør, Test & Certificering
Positec Technology (China) Co., Ltd.
18, Dongwang Road, Suzhou Industrial
Park, Jiangsu 215123, P. R. China

MILJØBESKYTTELSE



Affald af elektriske produkter må ikke bortskaffes sammen med husholdningsaffald.

Indlever så vidt muligt produktet til genbrug. Kontakt de lokale myndigheder eller forhandleren, hvis du er i tvivl.

KONFORMITETSERKLÆRING

Vi,
Positec Germany GmbH
Postfach 32 02 16, 50796 Cologne, Germany

Erklærer herved, at produktet

Beskrivelse **Batteri-betjent Blæser**

Type **KG584 KG584.X (5 - udpegning af maskiner, repræsentant for Batteri-betjent blæser)**

Funktioner **Blæsning**

Er i overensstemmelse med følgende direktiver:

2006/42/EC, 2014/30/EU

2011/65/EU&(EU)2015/863

2000/14/EC ændret ved 2005/88/EC

2000/14/EC ændret ved 2005/88/EC:

- Konformitetstestprocedure pr **Anneks V**
- Målt niveau for lydeffekt **80.1 dB (A)**
- Deklareret garanteret niveau for lydeffekt **81 dB (A)**

Standarder i overensstemmelse med

EN 60335-1, EN 50636-2-100, EN 62233, EN ISO 3744, EN 55014-1, EN 55014-2

Personen, autoriseret til at udarbejde den tekniske fil,

Navn Marcel Filz

Adresse Positec Germany GmbH

Postfach 32 02 16, 50796 Cologne, Germany



СОДЕРЖАНИЕ

Введение.....	78
Список Компонентов.....	79
техники безопасности.....	80
Сборка и работа.....	86
уборка.....	88
Характеристики.....	88
Охрана Окружающей Среды.....	89
Декларация Соответствия.....	89

ВВЕДЕНИЕ

RU Уважаемый покупатель!

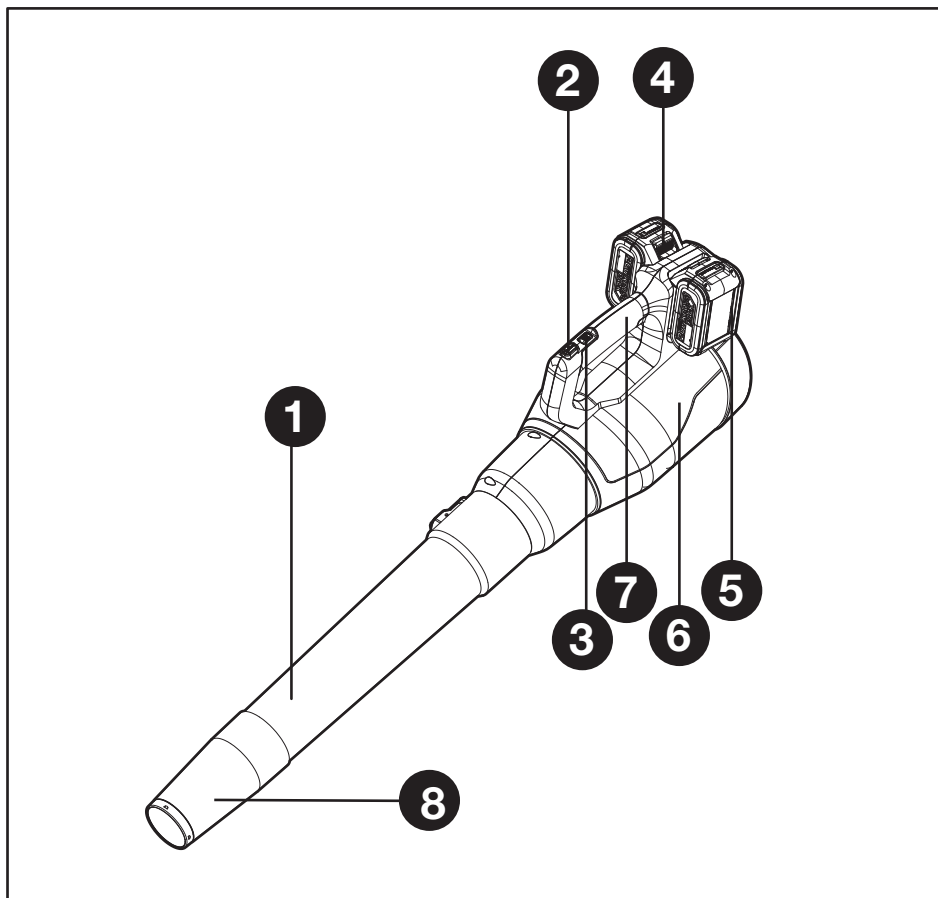
Благодарим вас за приобретение продукции Kress. Мы специализируемся на разработке высококачественной продукции ухода за газонами и садами согласно запросам клиентов.

Торговая марка Kress является синонимом премиального качества. На протяжении всего многолетнего срока службы при возникновении вопросов или проблем, пожалуйста, обращайтесь за помощью по месту приобретения или в нашу службу технической поддержки.

Мы уверены, что в течение следующих лет эксплуатации продукция Kress принесет вам много удовольствия в работе.

ПРИМЕНЕНИЕ ПО НАЗНАЧЕНИЮ

Воздуходувка предназначен только для бытового применения. Используйте воздуходувку на улице для уборки мусора по мере необходимости.



СПИСОК СОСТАВЛЯЮЩИХ

1. ТРУБКА ВОЗДУХОДУВКИ
2. КНОПКА РЕЖИМА «ТУРБО» ДЛЯ ПОВЫШЕНИЯ МОЩНОСТИ
3. ПЕРЕКЛЮЧАТЕЛЬ ВКЛ./ВЫКЛ
4. КНОПКА ВЫПУСКА БАТАРЕЙНОГО БЛОКА *
5. БАТАРЕЙНЫЙ БЛОК *
6. КОРПУС ДВИГАТЕЛЯ
7. РУКОЯТКА
8. НАКОНЕЧНИК КОНЦЕНТРАТОРА *

*Не все комплектующие, показанные или описанные, включены в стандартную поставку.

ПЕРЕВОД ИСХОДНЫХ ИНСТРУКЦИЙ ПРАВИЛА ТЕХНИКИ БЕЗОПАСНОСТИ ОБЩИЕ ПРАВИЛА ТЕХНИКИ БЕЗОПАСНОСТИ



Предупреждение!
**Внимательно
ознакомьтесь с
инструкциями.**

Невыполнение всех нижеприведенных инструкций и рекомендаций может привести к поражению электрическим током, пожару и серьезным травмам.

СОХРАНИТЕ ЭТИ ИНСТРУКЦИИ

Данное изделие должно использоваться только с входящим в комплект поставки блоком питания

**ВНИМАНИЕ
ВНИМАТЕЛЬНО
ПРОЧИТЕ ПЕРЕД ТЕМ,
КАК ИСПОЛЬЗОВАТЬ
УСТРОЙСТВО
СОХРАНИТЕ
НАСТОЯЩУЮ
ИНСТРУКЦИЮ, ТАК
КАК ОНА МОЖЕТ
ПОНАДОБИТЬСЯ ВАМ В
БУДУЩЕМ
ПРАВИЛА
БЕЗОПАСНОЙ
ЭКСПЛУАТАЦИИ
УСТРОЙСТВА**

1) Обучение

- a) Внимательно прочитайте инструкцию. Ознакомьтесь с регуляторами и правильным использованием оборудования
- b) Никогда не позволяйте детям, лицам с ограниченными физическими, сенсорными или умственными способностями, лицам с недостаточным опытом и знаниями, а также лицам, не ознакомленным с этой инструкцией, пользоваться этим устройством; кроме того, местные правила могут ограничивать возраст оператора.
- c) Никогда не пользуйтесь триммером, если поблизости находятся другие люди, в особенности дети, или домашние животные.
- d) Оператор или пользователь ответственен за несчастные случаи и ущерб, нанесенный другим лицам или их имуществу.

2) Подготовка

- a) При скашивании, всегда носите надежную обувь и длинные брюки. Не работайте с машиной босиком или в открытых сандалиях. Не надевайте

одежду с недостающими застежками или свисающими шнурами или завязками.

- b) Не надевайте свободную одежду или ювелирные изделия, т.к. их может затянуть в воздухозаборник. Не допускайте приближения волос к воздухозаборникам.
- c) Используйте защитные наушники и защитные очки. Надевайте их каждый раз, когда работаете с этой машиной.
- d) Работайте с устройством в рекомендуемой позиции и только на твердой, ровной поверхности.
- e) Не работайте с устройством на вымощенной плиткой или засыпанной гравием поверхности, поскольку отлетающие осколки могут привести к травме.
- f) Каждый раз перед использованием убедитесь. Что крепежные элементы надежно закреплены, корпус не поврежден, а щитки и экраны установлены на своих местах. Чтобы сохранить баланс, замените изношенные или поврежденные

компоненты. Замените поврежденные или неразборчивые наклейки.

3) Эксплуатация

- a) Перед запуском машины убедитесь, что камера подачи пустая.
- b) Держите свое лицо и туловище на расстоянии от впускного отверстия подачи.
- c) Не допускайте, чтобы руки и другие части тела или одежды попали внутрь камеры подачи, разгрузочного лотка или движущихся деталей.
- d) Все время сохраняйте равновесие и опору под ногами. Не пытайтесь дотянуться до чего-либо, теряя устойчивость. Во время подачи материала в машину не стойте выше, чем уровень ее базы.
- e) Во время работы машины всегда стойте за пределами зоны отгрузки.
- f) если машина начнет работать с необычным шумом или вибрацией, незамедлительно отключите ее от источника питания и дайте остановиться. Извлеките из машины аккумуляторный блок и перед последующим

включением и работой выполните следующие действия:

- i) проверьте ее на предмет повреждений;
- ii) замените или почините поврежденные детали;
- iii) проверьте и затяните все ослабленные детали.
- g) Следите, чтобы перерабатываемый материал не скапливался в зоне отгрузки; это может нарушить порядок отгрузки и привести к тому, что материал будет выброшен из загрузочного отверстия.
- h) Если машина засорилась, то перед тем, как извлечь мусор, выключите питание и снимите аккумуляторный блок.
- i) Никогда не используйте устройство с поврежденной защитой или щитками, без защитных устройств.
- j) Содержите источник электропитания в чистоте от мусора и других накоплений во избежание его порчи или возгорания.
- k) Не перевозите устройство с включенным блоком питания.
- l) Всегда отключайте оборудование от источника электропитания (т. е. вытащите вилку из

розетки)

- когда машина остается без присмотра,
- перед освобождением от препятствий или расчисткой желоба,
- перед очисткой или работами на триммере.
- m) Не работайте с триммером при плохих погодных условиях, в частности, когда собирается гроза.

4) Техобслуживание и хранение

- a) Не допускайте ослабления гаек, болтов и винтов, чтобы содержать машину в безопасном рабочем состоянии;
- b) Для обеспечения безопасной работы заменяйте все изношенные или поврежденные детали.
- c) Используйте только прилагаемые запчасти и принадлежности.
- d) Храните машину в сухом, недоступном для детей месте.
- e) При остановке машины для проведения технического обслуживания, проверки или хранения, либо для смены принадлежностей, отключите блок питания, отсоедините машину от

него и убедитесь, что все движущиеся части полностью остановились. Перед проверкой, наладкой и другими действиями всегда дайте машине остыть. Обращайтесь с машиной бережно и содержите ее в чистоте.

- f) Храните машину в сухом, недоступном для детей месте.
- g) Каждый раз перед тем, как поместить машину в место ее хранения, дайте ей остыть.
- h) Ни в коем случае не пытайтесь обойти функцию предохранительной блокировки..

ПРАВИЛА ТЕХНИКИ БЕЗОПАСНОСТИ ДЛЯ АККУМУЛЯТОРНОЙ БАТАРЕИ

- a) **Не допускается разбирать, вскрывать, измельчать элементы питания и аккумуляторную батарею.**
- b) **Не допускается накоротко замыкать элементы питания или аккумулятор.**

- Не допускается беспорядочно хранить элементы питания или аккумулятор в коробке или ящике, где они могут замкнуть друг друга или могут быть замкнуты другими металлическими предметами. Если аккумуляторная батарея не используется, держите ее подальше от металлических предметов, таких как зажимы, монеты, гвозди, винты и прочие металлические предметы небольшого размера, которые могут соединить клеммы друг с другом. Короткое замыкание клемм батареи может стать причиной ожогов или пожара.**
- c) **Не допускается подвергать аккумуляторную батарею воздействию высоких температур или пламени.**

Избегайте хранения аккумулятора в местах, подверженных воздействию прямого солнечного света.

- d) Не допускается подвергать аккумуляторную батарею механическим ударам.**
- e) В случае протечки аккумулятора, не допускайте контакта электролита с кожей или глазами. В случае такого контакта необходимо промыть пораженный участок обильным количеством воды и обратиться за медицинской помощью.**
- f) Аккумуляторную батарею необходимо содержать в чистоте и сухости.**
- g) В случае загрязнения контактов аккумулятора, необходимо протереть чистой сухой тканью.**
- h) Аккумуляторную**

батарею необходимо заряжать перед использованием. Всегда следуйте данной инструкции и используйте правильный порядок зарядки.

- i) Не допускается оставлять аккумулятор на зарядном устройстве, если он не используется.**
- j) После продолжительного хранения может потребоваться несколько раз зарядить и разрядить аккумуляторную батарею для достижения максимальной эффективности ее работы.**
- k) Используйте только зарядные устройства, указанные Worx. Не допускается использовать какие-либо зарядные устройства, за исключением специально предназначенных для данного оборудования.**
- l) Не допускается**





использовать какие-либо аккумуляторные батареи, не предназначенные для использования с данным оборудованием.

- m) Храните аккумуляторную батарею в местах, недоступных для детей.**
- n) Следует сохранить оригинальную документацию на изделие для будущего использования.**
- o) По возможности извлекайте аккумуляторную батарею из изделия, если она не используется.**
- p) Утилизируйте аккумуляторную батарею должным образом.**
- q) Не используйте с устройством элементы разного производства, емкости, размера или типа.**
- r) Храните аккумуляторы вдали от воздействия**

микроволнового излучения и высокого давления.

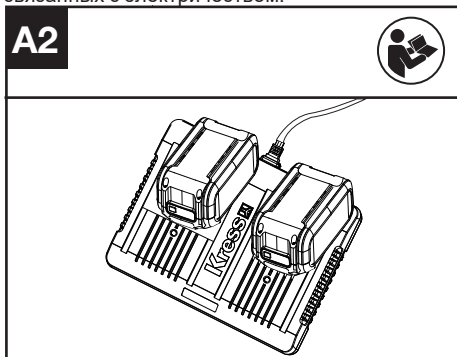
УСЛОВНЫЕ ОБОЗНАЧЕНИЯ

	Прочтите инструкцию
	Наденьте защитные очки
	Наденьте защитные наушники
	Не использовать под дождём и не оставлять на улице во время дождя.
	Предупреждение об опасности
	Не подпускайте к машине людей во время работы
	Перед сменой принадлежностей убедитесь, что аккумулятор извлечен.
	Отходы электротехнической продукции не следует утилизировать с бытовыми отходами. Они должны быть доставлены в местный центр утилизации для надлежащей переработки.

 <p>Li-Ion</p> 	<p>тий-ионный аккумулятор Этот продукт был отмечен символом, связанным с «раздельным сбором» для всех батарейных блоков и батареи. Затем он утилизируется или раскреплен, чтобы уменьшить воздействие на окружающую среду. Батарейный блок могут быть вредны для окружающей среды и здоровья человека, поскольку они содержат вредные вещества.</p>
	<p>Не поджигать.</p>
	<p>правильной утилизации батареи могут попасть в водный цикл, что может быть опасным для экосистемы. Не выбрасывайте использованные батареи в несортированные бытовые отходы.</p>

можно получить в инструкции к зарядному устройству.

⚠ ОСТОРОЖНО! Зарядное устройство и батарейный блок специально разработаны для совместной работы, поэтому не пытайтесь использовать какие-либо другие устройства. Никогда не вставляйте металлические предметы в зарядное устройство или соединения батарейного блока из-за возникновения рисков и опасности связанных с электричеством.



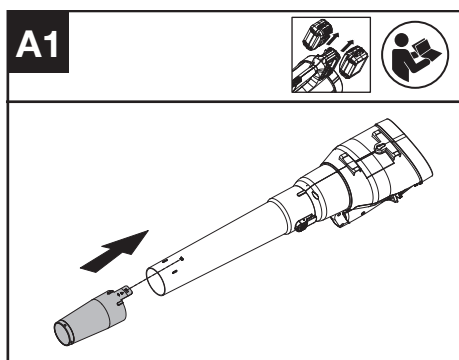
Проверка состояния батареи (Смотрите рис..A3)

ПРИМЕЧАНИЕ: Рисунок A3 применяется только для батареи со световым индикатором заряда батареи.

КОМПОНОВКА И ЭКСПЛУАТАЦИЯ

ПЕРЕД НАЧАЛОМ РАБОТЫ

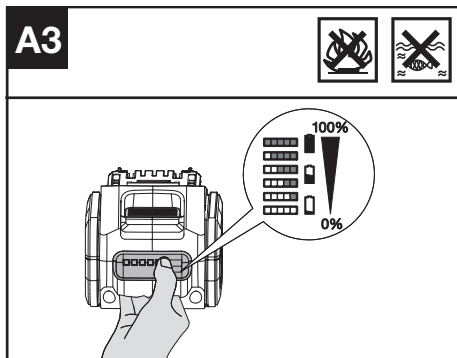
установка наконечника концентратора (Смотрите рис. A1)



Зарядка батарейного блока (Смотрите рис. A2)

ПРИМЕЧАНИЕ:

- Аккумуляторная батарея доставляется не заряженной. Каждая батарея должна быть полностью заряжена перед первым использованием.
- Всегда полностью заряжайте две батареи в одно и то же время. Больше информации

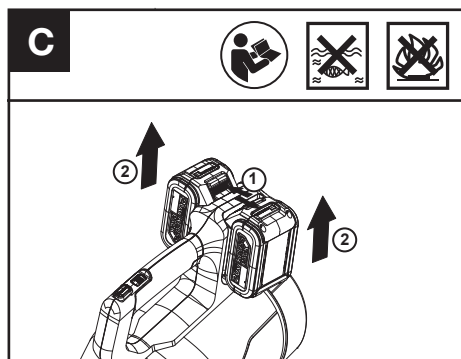
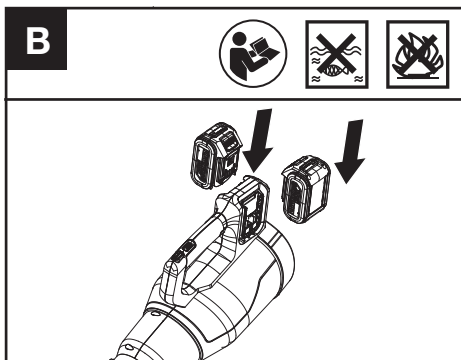


Установка и извлечение батарейного блока (Смотрите рис. B, C)

ПРИМЕЧАНИЕ:

- **Оборудование будет работать только при условии установки двух батарей. Рекомендуется использовать одинаковые две батареи и заряжать две батареи одновременно.**
- **Когда вы используете две батареи с разной мощностью,**

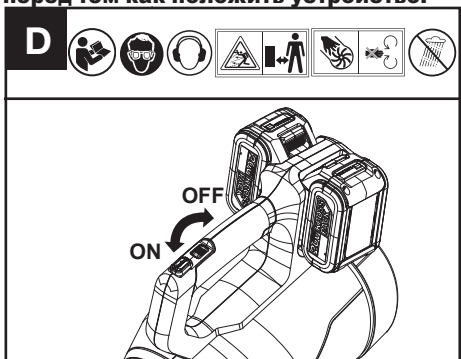
устройство перестанет работать, когда разрядится одна батарея с наименьшим уровнем заряда.



РАБОТА

Запуск и Остановка (Смотрите рис. D)

! **ОСТОРОЖНО!** Устройство продолжает работать несколько секунд после выключения. Дайте двигателю полностью остановиться перед тем как положить устройство.



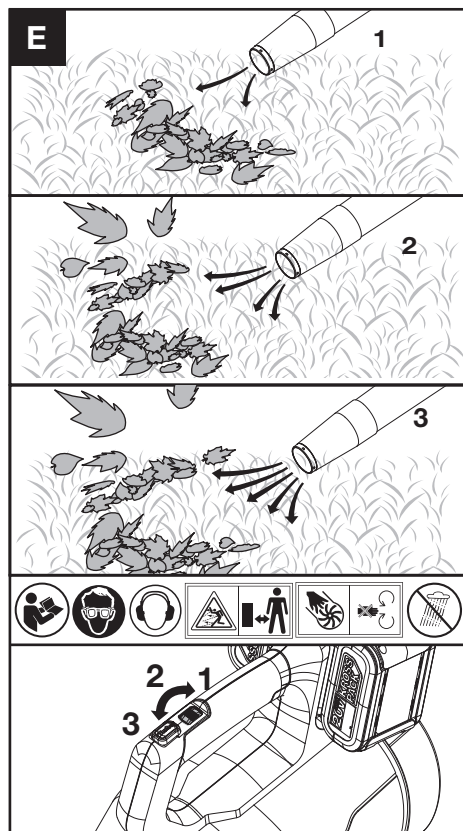
Регулировка скорости потока / объёма воздуха посредством двухпозиционного переключателя (Смотрите рис. E)

ЗАМЕТКИ ПОЛЬЗОВАТЕЛЯ

- Держите трубку воздуходува на расстоянии около 2 м над землей при использовании устройства.
- Используйте плавные движения из стороны в сторону. Медленно продвигайтесь, удерживая скопившийся мусор/листья перед собой.
- После того, как соберете мусор/листья в кучу, ее будет легко убрать.

! **Осторожно!**

- Не используйте на твердых предметах, таких как гвозди, болты или камни.
- Не используйте нагнетатель возле посторонних или домашних животных.
- С особой осторожностью действуйте во время уборки мусора со ступенек и других тесных мест.
- Одевайте защитные очки либо другую подходящую защиту для глаз, длинные штаны и обувь

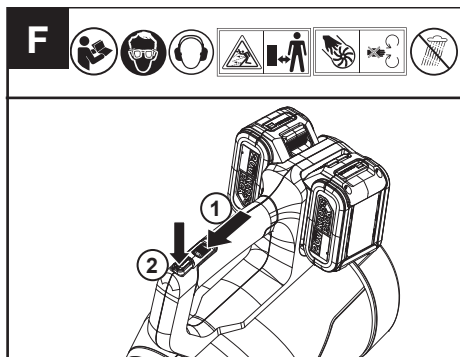


Кнопка режима «Турбо» для повышения мощности

ПРИМЕЧАНИЕ:

- Кнопка Турбо для повышения мощности может существенно увеличить поток воздуха, и она может быть использована для уборки тяжелого или влажного мусора.
- Сначала включите нагнетатель и выберите скорость (любую скорость от 1,2 до 3), затем нажмите кнопку Турбо и удерживайте ее.

Отпустите кнопку Турбо, и нагнетатель вернется к работе с прежней выбранной скоростью.



ТЕХНИЧЕСКИЕ ДАННЫЕ

Тип **KG584 KG584.X (5 - обозначение машинного оборудования, представитель аккумуляторного нагнетателя)**

	KG584 KG584.X **
Номинальное напряжение	40 V \approx MAX. (2x20 V Max.) ***
Максимальный объем подачи воздуха	900 m ³ /h
Максимальная скорость подачи воздуха	290 km/h (with concentrator nozzle)
Вес инструмента (собственное)	1.9 kg

** X=1-999, A-Z, M1-M9 используются только для разных клиентов, безопасных изменений между этими моделями нет.

*** Напряжение, измеренное без нагрузки.

Начальное напряжение батареи достигает максимум 20 вольт. Номинальное напряжение 18 вольт.

ДЛЯ АККУМУЛЯТОРНЫХ ИНСТРУМЕНТОВ

Диапазон температур окружающей среды для использования и хранения инструмента и аккумулятора - 0°C-45°C.

Рекомендуемый диапазон температур окружающей среды для системы зарядки во время зарядки - 0°C-40°C.

ЧИСТКА ИНСТРУМЕНТА

Регулярно производите чистку инструмента.

Предупреждение! Содержите изделие в сухости. Оберегайте устройство от брызг.

- Для чистки инструмента используйте мягкое мыло и влажную ткань.
- Не используйте какие-либо чистящие или моющие средства, очистители и растворители, которые могут серьезно повредить пластиковые части изделия.
- В устройстве применены самосмазывающиеся подшипники, поэтому оно не требует смазки.

РЕКОМЕНДУЕМЫЕ АККУМУЛЯТОРЫ И ЗАРЯДНЫЕ УСТРОЙСТВА

Категория	Тип	Ёмкость
Аккумулятор 20 В	КАВ04	4.0 Ah
Зарядное устройство 20 В	КАС04	4.0 А

Рекомендуется приобретать все принадлежности в том же магазине, где был приобретен инструмент. Смотрите более подробную информацию на упаковке принадлежности. Помощь и консультацию можно также получить у продавца.

ХАРАКТЕРИСТИКИ ШУМА

Звуковое давление	L_{PA} : 71.18 dB(A)
Акустическая мощность	L_{WA} : 80.1 dB(A)
K_{PA} & K_{WA} :	3.0 dB(A)

Наденьте защиту слуха.



ХАРАКТЕРИСТИКИ ВИБРАЦИИ

Вибрация $a_n < 1.24 \text{ m/s}^2$

Погрешность $K=3 \text{ m/s}^2$

Заявленное общее значение вибрации может использоваться для сравнения инструментов между собой, а также для предварительной оценки воздействия.

ВНИМАНИЕ: вибрация, производимая при работе механизированного инструмента, может отличаться от заявленных значений в зависимости от способов использования устройства. Ниже перечислены некоторые условия, от которых зависит интенсивность вибрации:

Способ использования инструмента и свойства обрабатываемого материала.

Состояние инструмента и уровень техобслуживания.

Тип используемых принадлежностей и их техническое состояние.

Сила удержания рукояток и наличие противовибрационных средств.

Используемые рабочие инструменты, соответствие применения инструментов их назначению.

При неправильном обращении данное устройство может стать причиной синдрома дрожания рук.

ВНИМАНИЕ: для точной оценки воздействия вибрации во время эксплуатации необходимо также учитывать все этапы рабочего процесса, включая время, когда устройство выключено или включено, но бездействует. Эти перерывы значительно снижают общее влияние вибрации в ходе всего рабочего цикла.

Следующие рекомендации помогут снизить опасность воздействия вибрации при работе. ВСЕГДА пользуйтесь только острыми инструментами (резцами, сверлами, пилами и т.д.).

Проводите техобслуживание в соответствии с указаниями, тщательно смазывайте устройство в соответствующих местах.

Если устройство используется регулярно, приобретите противовибрационные средства.

Распределите задачи так, чтобы работы, сопровождающиеся высоким уровнем вибрации, проводились через большие промежутки времени.

ОХРАНА ОКРУЖАЮЩЕЙ СРЕДЫ



Отходы электротехнической продукции не следует утилизировать с бытовыми отходами. Они должны быть доставлены в местный центр утилизации для надлежащей переработки.

ДЕКЛАРАЦИЯ СООТВЕТСТВИЯ

Компания,
Positec Germany GmbH
Postfach 32 02 16, 50796 Cologne, Germany

Заявляем, что продукт,
Марки **Аккумуляторная воздуходувка 40B**

Тип **KG584 KG584.X (5 -обозначение инструмента, нагнетательное)**
Сокращение **Сдувание мусора**

Соответствует положениям Директив,
**2006/42/EC, 2014/30/EU,
2011/65/EU&(EU)2015/863,
2000/14/EC amended by 2005/88/EC**

2000/14/EC изменена 2005/88/EC:

- Процедура оценки соответствия в соответствии с **Annex V**

- Измеренный уровень звуковой мощности **80.1 dB (A)**

- Заявленный гарантированный уровень звуковой мощности **81 dB (A)**

и стандартам,

**EN 60335-1, EN 50636-2-100, EN 62233,
EN ISO 3744, EN 55014-1, EN 55014-2**

Лицо с правом компилирования данного технического файла,

имя **Marcel Filz**

Адрес **Positec Germany GmbH
Postfach 32 02 16, 50796 Cologne,
Germany**



2022/12/09

Allen Ding
Deputy Chief Engineer, Testing & Certification
Positec Technology (China) Co., Ltd
18, Dongwang Road, Suzhou Industrial
Park, Jiangsu 215123, P. R. China

RU

INNEHÅLLSFÖRTECKNING

Introduktion.....	90
Komponenter.....	91
Säkerhetsvarningar	92
Montering & Hantering.....	96
Rengöring.....	98
Specifikationer.....	98
Miljöskydd.....	99
Deklaration Om Överensstämmelse.....	99

INTRODUKTION

Bästa kund,

sv

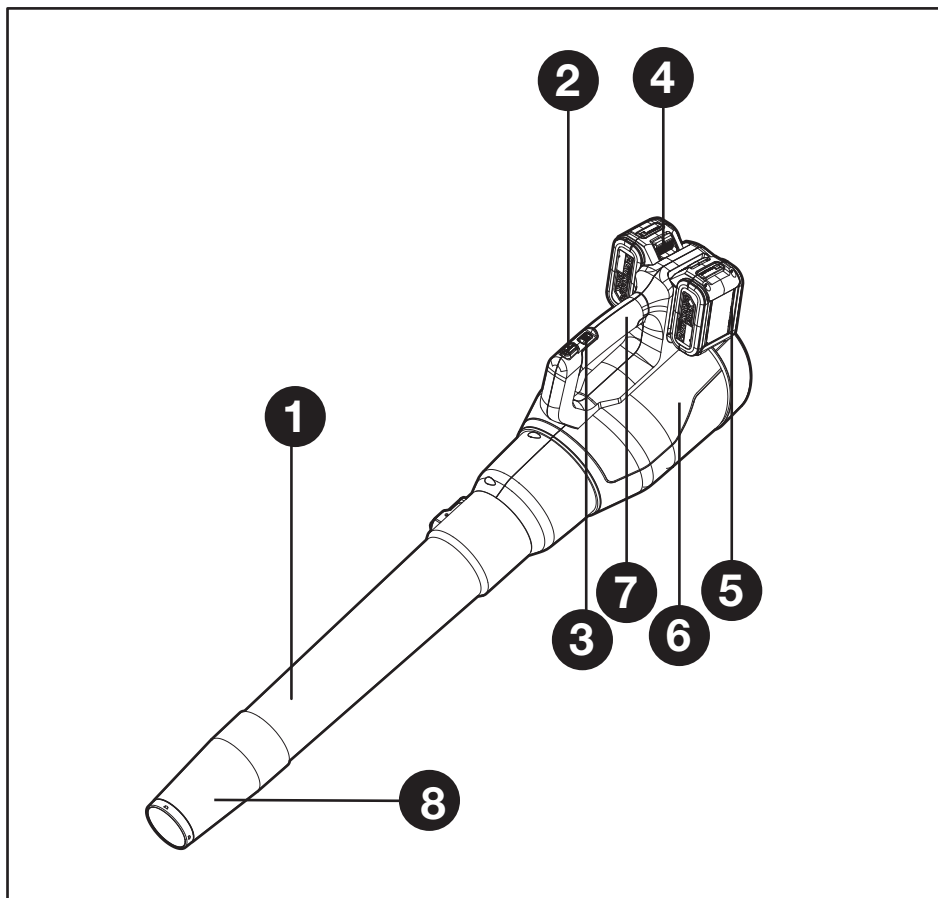
Tack för ditt köp av denna produkt från Kress. Vi är engagerade i vår strävan att utveckla produkter av hög kvalitet för att möta kraven för din gräsmatta och trädgård.

Kress som varumärke är synonymt med förstklassig service. Skulle du ha några frågor eller funderingar om din produkt under dess brukstid, kan du kontakta din återförsäljare eller vårt kundtjänstteam för hjälp.

Vi är övertygade om att du kommer att trivas med att arbeta med din produkt från Kress i många år framöver.

ÄNDAMÅLSENLIG ANVÄNDNING

Blåsaren är avsedd för att blåsa skräp. Den är inte avsedd att användas inomhus eller för djurtrimning.




KOMPONENTER

1. BLÅSRÖR
2. TURBOKNAPP FÖR EXTRA KRAFT
3. TILL/FRÅN-STRÖMBRYTAREN
4. KNAPPAR FÖR LÖSGÖRANDE AV BATTERIPACKEN *
5. BATTERIPAKET *
6. MOTORHUS
7. HANDTAG
8. KONCENTRATORMUNSTYCKE *

* Alla tillbehör beskrivna eller avbildade nedan medföljer inte standardprodukten.

PRODUKTSÄKERHET

 **VARNING: Läs igenom alla säkerhetsvarningar och -instruktioner. Läs alla instruktioner. Följs inte alla nedanstående instruktioner kan det leda till elektriska stötar, brand och/eller allvarliga skador.**

Spara alla varningar och instruktioner för framtida bruk.

Apparaten bör endast användas med det medföljande nätaggregatet.

SV
**VIKTIGT
LÄS IGENOM NOGA FÖRE
ANVÄNDNING
SPARA FÖR KOMMANDE
REFERENS**

Säkra driftsmetoder

1) Utbildning

- a) Läs noga igenom dessa instruktioner. Bekanta dig med kontrollerna och hur man använder maskinen på rätt sätt;
- b) Låt aldrig barn, personer med nedsatt fysisk, sensorisk eller mental förmåga eller brist på erfarenhet och kunskap, eller personer som inte känner till dessa instruktioner, använda maskinen. Lokala föreskrifter kan begränsa

operatörens ålder.

- c) Använd aldrig maskinen då människor, i synnerhet barn, eller husdjur är i närheten;
- d) Operatören eller användaren är ansvarig för olyckor eller faror som uppstår för andra personer eller deras egendom.

2) Förberedelse

- a) Under arbete med maskinen, använd alltid solida skodon och långbyxor. Använd inte denna apparat när du är barfota eller använder öppna sandaler. Undvik att använda kläder som sitter löst eller som har hängande remmar eller band.
- b) Använd inte löst sittande kläder eller smycken som kan sugas in i luftinloppet. Låt inte långt hår komma nära luftinloppen;
- c) Använd skyddsglasögon under användning; använd hörselskydd.
- d) Kör maskinen i en rekommenderad position och endast på en fast, jämnt underlag.
- e) Kör inte maskinen på en stenbelagd eller grusad yta där utlagt material kan orsaka skada.
- f) Inspektera alltid maskinen visuellt innan

användning, för att se till att fästanordningar är säkrade, att kåpan är oskadad och att skydd och skärmar sitter på plats. Byt ut slitna eller skadade komponenter i uppsättningarna för att bevara balansen. Byt ut skadade eller oläsliga etiketter.

3) Drift

- a) Innan du startar maskinen, säkerställ att matarkammaren är tom.
- b) Håll ditt ansikte och din kropp borta från mataröppningen.
- c) Låt inte händer eller en annan kroppsdel eller kläder komma i kontakt med insidan av matarkammaren, utmatningsrännan eller i närheten av någon rörlig del.
- d) Håll god balans och fotfäste i alla lägen. Översträck dig inte. Stå aldrig på en högre nivå än basen av maskinen när du matar in material i den.
- e) Stå inte i vägen för utsläppszonen när du kör maskinen.
- f) Om maskinen skulle börja ge ifrån sig ovanliga ljud eller vibrationer, stäng omedelbart av strömkällan

och låt maskinen stanna. Ta bort batteripaketet från maskinen och vidta följande åtgärder innan du startar om och kör maskinen:

- i) Inspektera för skada.;
 - ii) Ersätt eller reparera eventuella skadade delar;
 - iii) Kontrollera och dra åt eventuella lösa delar.
- g) Låt inte bearbetat material byggas upp i utsläppszonen; detta kan förhindra ordentligt utsläpp och resultera i rekyl av material genom mataröppningen.
 - h) Om maskinen blir igensatt, stäng av strömmen och ta bort batteripaketet från maskinen innan du rensar bort skräp.
 - i) Använd aldrig maskinen med trasiga skydd eller skärmar, eller utan säkerhetsanordningar.
 - j) Håll strömkällan fri från skräp och andra ansamlingar för att förhindra skador på strömkällan eller möjlig brand.
 - k) Transportera inte denna maskin medan strömmen är på.
 - l) Koppla alltid bort maskinen från strömkällan (ta t.ex. bort batteripaketet från maskinen)

- närhelst du går ifrån maskinen;
 - innan du rensar en tilltappning;
 - innan kontroll, rengöring eller underhåll på maskinen;
- m) Undvik att använda maskinen under dåliga väderförhållanden, särskilt vid risk för blixtnedslag.

4) Underhåll och förvaring

- a) Se till att alla muttrar, bultar och skruvar är åtdragna för att säkerställa att maskinen är driftsäker.
- b) Byt ut slitna eller skadade delar.
- sv c) Använd endast originalreservdelar och tillbehör.
- d) Förvara maskinen på en torr plats, utom räckhåll för barn.
- e) När maskinen stoppas, p.g.a. service, kontroll, lagring eller för att byta tillbehör, stäng av strömkällan, koppla bort maskinen från strömförsörjningen och säkerställ att alla delar som rör sig har stannat helt och hållet. Låt maskinen svalna innan du utför kontroller, justeringar etc. Vårda maskinen och håll den ren.
- f) Förvara maskinen på en torr plats, utom räckhåll för

barn.

- g) Låt alltid gräsklipparen svalna innan du ställer undan den.
- h) Försök aldrig att "köra över" spärranordningen på skyddet.

SÄKERHETSFÖRESKRIFTER FÖR BATTERIET

- a) **Ta inte isär batteriet, öppna inte heller batteriet eller sära på battericeller.**
- b) **Kortslut inte batteriet. Förvara inte batteriet på ett slarvigt sätt i en låda där det kan kortslutas eller skadas av ledande material. När batteriet inte används, håll det borta från metallobjekt, såsom pappersgem, pengar, nycklar, naglar, skruvar eller andra små metallobjekt som kan leda ström från en terminal till en annan. Om batteriterminalerna kortsluter varandra kan de förorsaka brandrisk.**
- c) **Exponera inte batteriet för eld eller värme. Undvik förvaring i direkt solljus.**
- d) **Utsätt inte batteriet för mekanisk chock.**
- e) **Om batteriet läcker, låt inte vätskan komma i kontakt med hud eller**

ögon. Om så ändå skulle hända, skölj med mycket vatten och sök läkarhjälp.

- f) Håll batteriet rent och torrt.
- g) Torka av batteriet om det blir smutsigt med en torr, ren trasa.
- h) Batteriet måste laddas före användning. Använd den här bruksanvisningen för att ladda batteriet korrekt.
- i) Låt inte batteriet stå på laddning när det inte används.
- j) Efter lång tids användning kan det bli nödvändigt att ladda och ladda ur batteriet många gånger för att nå maximal prestanda.
- k) Ladda endast med laddare av varumärket Worx. Använd ingen annan laddare än den som specifikt ska användas med det här batteriet.
- l) Använd inte ett batteri som inte är avsett för användning med det här verktyget.
- m) Håll batteriet borta från barn.
- n) Behåll den ursprungliga bruksanvisningen för framtida användning.
- o) Plocka ur batteriet från

verktyget då det inte används.

- p) Kassera batteriet på rätt sätt.
- q) Blanda inte celler från olika tillverkning, kapacitet, storlek eller typ inom en enhet.
- r) Håll batteriet borta från mikrovågor och högt tryck.

SYMBOLER

	Läs bruksanvisningen
	Använd skyddsglasögon
	Använd hörselskydd
	Utsätt inte för regn
	Varning för fara
	Håll kringstående undan.
	Se till att batteriet tas bort innan byte av tillbehör.

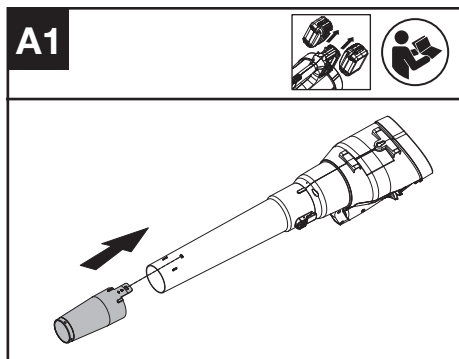
	<p>Uttjänta elektriska produkter får inte kasseras som hushållsavfall. Återanvänd där det finns anläggningar för det. Kontakta dina lokala myndigheter eller återförsäljare för återvinningsrid.</p>
 <p>Li-Ion</p> 	<p>Li-Ion-batteri Denna product har märkts med en symbol för sopsortering för alla batterisatser. De kommer då att återvinnas och plockas isär för att minska påverkan på miljön. Batterisatser kan vara skadliga för miljön och för människors hälsa då de innehåller farliga substanser.</p>
	<p>Får ej brännas</p>
	<p>Batterierna kan komma in i vattnets kretslopp om de inte kasseras korrekt och detta kan vara skadligt för EKO-systemet. Kasta inte batterier i de vanliga osorterade hushållssoporna.</p>

SV

MONTERING & HANTERING

MONTERING & HANTERING

anslutning av koncentratormunstycke (Se Fig. A1)



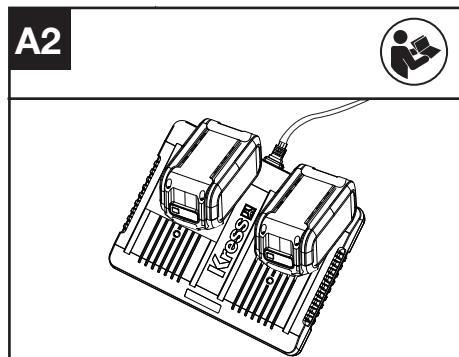
Laddning av batteripaketet (Se Fig. A2)

OBS:

- Ditt batteripaket är OLADDAT och du måste ladda det en gang innan användning.

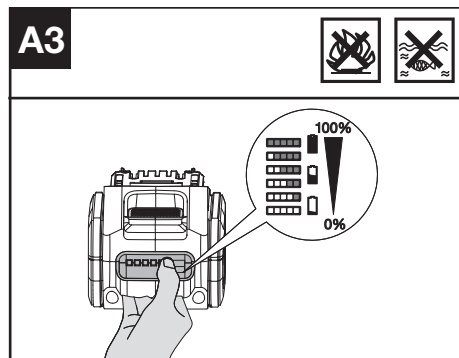
- Ladda alltid helt de två batterierna samtidigt. Mer information finns i bruksanvisningen till laddaren.

! WARNING! Laddaren och batteripaketet är särskilt konstruerade för att fungera tillsammans. Använd inget annat batteripaket eller någon annan laddare. Se till att inga metallföremål kommer in i laddaren eller batteripaketet. Det kan orsaka elektriska fel som kan medföra fara.



Kontroll av batteriets laddningstillstånd (Se Fig. A3)

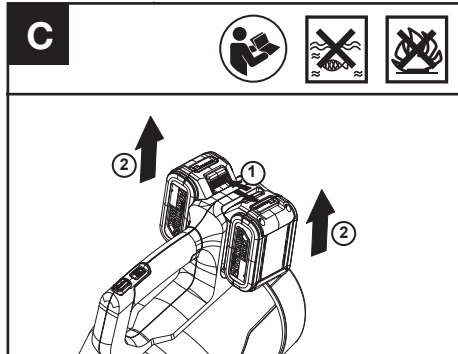
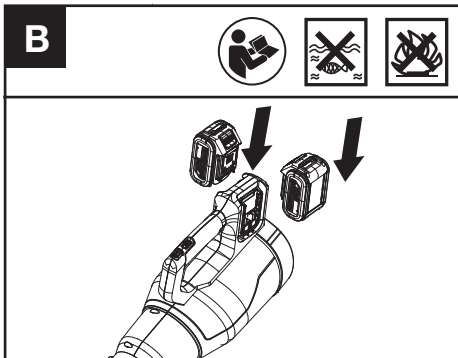
OBS: Figur A3 gäller endast batteripack med batterilampor



Ta bort eller sätta i batteripaketet (Se Fig. B, C)

OBS:

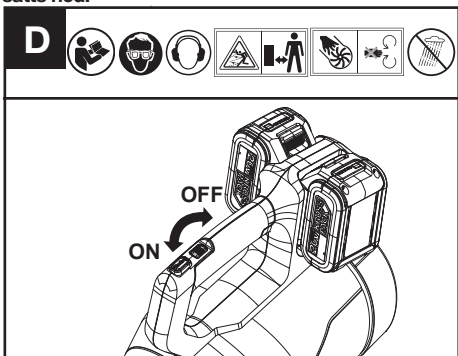
- Det här verktyget kräver 2 batterier. Var god använd alltid samma två batterier och ladda de två batterierna samtidigt.
- När du använder två batterier med olika strömstyrkor, maskinen körs bara till nivån för det lägsta laddade batteriet.



HANTERING START OCH STOPP (Se Fig. D)

! Varning! Verktøget fortsätter att gå i några sekunder efter att det stängts av.

Låt motorn stanna helt och hållet innan verktøget sätts ned.



Justera blåshastigheten / luftvolymen med 3 växlar (Se Fig. E)

ANVÄNDARRÅD

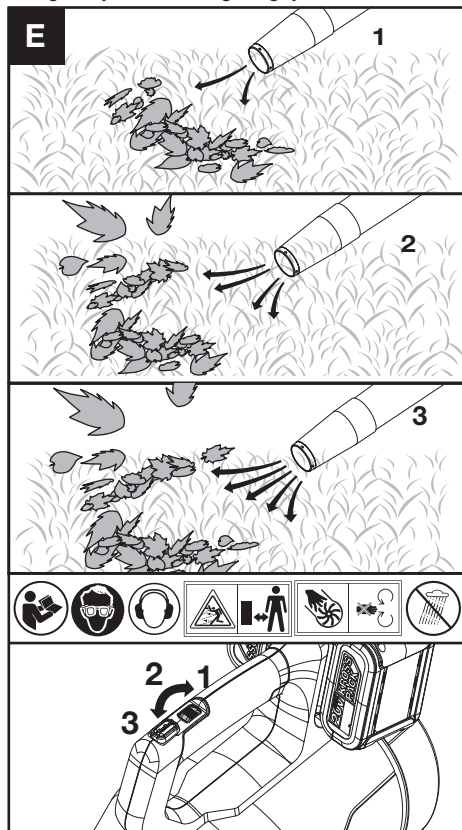
- Håll blåsrøret ungefär 8" over marken vid användning. Rör den i en svepande rörelse från sida till

sida.

- När skræpet/løven blåsts ihop i en hög är det enkelt att göra sig av med høgen.

! Försiktighet!

- Blås inte hårda föremål som spikar, bultar eller stenar.
- Använd inte lövblåseren nära åskådare eller husdjur.
- Var extra försiktig vid rengöring av trappor eller andra trånga utrymmen.
- Använd säkerhetsglasögon eller annan lämplig ögonskyddsutrustning, långbyxor och skor.

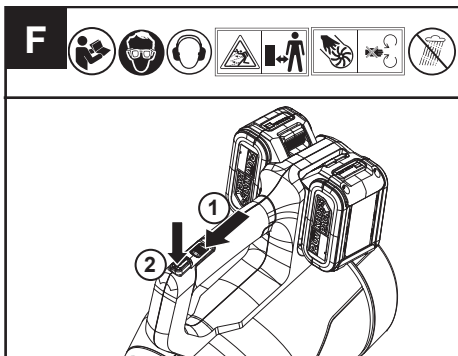


Turboknapp för extra kraft

OBS:

- Turboknappen för extra kraft kan öka luftflödet avsevärt och kan användas vid röjning av tungt eller vått avfall.
- Starta först på lövblåseren och välj hastighetsreglering (vilken hastighet som helst mellan 1,2 och 3), tryck sedan på turboknappen och håll den intryckt.

Släpp turboknappen och lövblåseren återgår till den tidigare valda hastigheten.



batterispänning är max. 20 V. Nominell spänning är 18 V.

REKOMMENDERADE BATTERIER OCH LADDARE

Kategori	Typ	Kapacitet
20V Batteripaket	KAB04	4.0 Ah
20V Laddning	KAC04	4.0 A

Vi rekommenderar att du köper dina tillbehör från samma återförsäljare som du köpte produkten från. Läs på tillbehörens förpackning för mera information. Din återförsäljare kan också hjälpa dig och ge dig råd.

FÖR BATTERIVERKTYG

Omgivningstemperaturintervallen för att använda eller förvara verktyget och batteriet är 0°-45°C. Det rekommenderade omgivningstemperaturintervallen för laddningssystem vid laddning är 0°-40°C.

RENGÖR VERKTYGET

Rengör verktyget regelbundet.

! Varning! Håll produkten torr. Spruta under inga omständigheter vatten på det.

- Rengör endast med mildtvålösning och en fuktig trasa.
- Använd inga tvättmedel, rengöringsmedel eller lösningsmedel som kan innehålla kemikalier som kan skada plasten.
- Produkten använder självsmörjande lager så ingen smörjning krävs.

TEKNISKA DATA

Typ **KG584 KG584.X** (5 - maskinbeteckning, representativt för den sladdlösa lövblåsaren)

	KG584 KG584.X **
Spänning	40 V \equiv MAX. (2x20 V Max.) ***
Max. luftvolym	900 m ³ /h
Högsta lufthastigheten	290 km/h (with concentrator nozzle)
Maskinens vikt (Naken verktyg)	1.9 kg

** X = 1-999, A-Z, M1-M9 är endast för olika kunder, det finns inga säkerhetsrelaterade förändringar mellan dessa modeller.

*** Spänning uppmätt utan belastning. Initial

BULLERINFORMATION

Uppmätt ljudtryck $L_{pA} = 71.18 \text{ dB(A)}$

$K_{pA} = 3.0 \text{ dB(A)}$

Uppmätt ljudstyrka $L_{wA} = 80.1 \text{ dB(A)}$

$K_{wA} = 3.0 \text{ dB(A)}$

Använd hörselskydd.



VIBRATIONSINFORMATION

Typisk uppmätt vibrering $a_n < 1.24 \text{ m/s}^2$

Osäkerhet $K = 3 \text{ m/s}^2$

Det deklarerade totala vibrationsvärdet kan användas för att jämföra ett verktyg med ett annat och det kan också användas för preliminär bedömning av exponering.

! WARNING: Vibrationsemissionsvärdet vid användning av maskinverktyg kan skilja sig åt från det deklarerade värdet beroende på hur verktyget används och beroende på följande exempel och andra variationer av hur verktyget används:

Hur verktyget används och materialet som verktyget används med. Verktyget är i bra skick och bra underhållet. Användning av korrekt tillbehör till verktyget och säkerställandet att det är vasst och i bra skick. Beroende på hur tajt åtdraget handtaget är och om några antivibrationstillbehör används. Verktyget används som avsett enligt konstruktionen och de här instruktionerna.

Detta verktyg kan orsaka hand- arm- vibrationssyndrom om det används på felaktigt sätt.

! WARNING: För att det ska bli korrekt bör en beräkning av exponeringsnivån under verkliga

förhållanden vid användning också tas med för alla delar av hanteringscykeln såsom tiden när verktyget är avstängt och när det körs på tomgång utan att utföra något arbete. Detta kan betydligt minska exponeringsnivån över den totala arbetsperioden. Hjälp för att minimera risken för vibrationsexponering.

Använd ALLTID skarpa mejslar, borrar och blad. Underhåll verktyget i enlighet med dessa instruktioner och håll det välsmört (där det är nödvändigt).

Om verktyget ska användas regelbundet, investera i antivibrationsstillbehör.

Planera ditt arbetsschema för att sprida ut användning av kraftigt vibrerande verktyg över flera dagar.



2022/04/06

Allen Ding

Vice chefsingenjör, tester och certifiering
Positec Technology (China) Co., Ltd.
18, Dongwang Road, Suzhou Industrial
Park, Jiangsu 215123, P. R. China

MILJÖSKYDD



Uttjänta elektriska produkter får inte kasseras som hushållsavfall. Återanvänd där det finns anläggningar för det. Kontakta dina lokala myndigheter eller återförsäljare för återvinningsråd.

DEKLARATION OM ÖVERENSSTÄMMELSE

Vi,
Positec Germany GmbH
Postfach 32 02 16, 50796 Cologne, Germany

SV

Deklarerar att denna produkt,
Beskrivning **Sladdlös lövblås**
Typ **KG584 KG584.X (5 - maskinbeteckning, representativt för den sladdlösa lövblåsaren)**
Funktion **Blåsa**

Uppfyller följande direktiv,
2006/42/EC, 2014/30/EU
2011/65/EU&(EU)2015/863
2000/14/EC ändrad av 2005/88/EC

2000/14/EC ändrad av 2005/88/EC:
- Konformitetsutvärderingsprocedur enligt **Bilaga V**
- Uppmätt bullernivå **80.1 dB (A)**
- Deklarerad garanterad bullernivå **81 dB (A)**

Standarder överensstämmer med,
EN 60335-1, EN 50636-2-100, EN 62233, EN ISO 3744, EN 55014-1, EN 55014-2

Personen som godkänts att sammanställa den tekniska filen,
Namn Marcel Filz
Adress Positec Germany GmbH
Postfach 32 02 16, 50796 Cologne, Germany



Copyright © 2023, Positec. All Rights Reserved.
AR01695900